


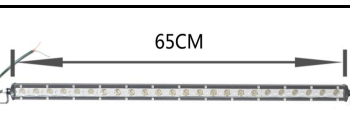
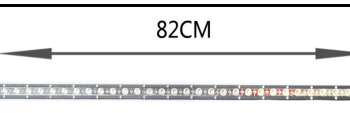
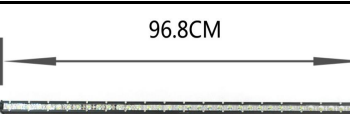
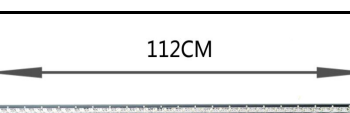
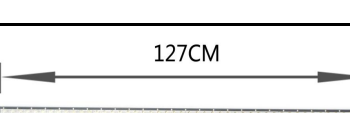


Jiaxing ShengWell Auto

Web: <http://yifano.en.alibaba.com> Skype: [jxshengwell](https://www.skype.com/jxshengwell) Email: auto@jxshengwell.com / shengwelljx@hotmail.com Facebook: [355192877@qq.com](https://www.facebook.com/355192877)

Whats App: +8613967357905 M.b: 86-13967357905

15B series slim bar :H:3.5cm;W:4.3cm. CREE led ; 3W/LED

Model	Pic	Power	Description	Price	Pack
SHL 15B-18		18W 7.5" 1440LM	<ul style="list-style-type: none"> . Operating Voltage: 10-30 DC . Waterproof rate: IP 67 . pcs*3w high intensity CREE LEDS . Body Color: Black, White . Color Temperature: 6000K . Material: Diecast aluminum housing . Lens material: PC . Mounting Bracket: stainless steel bracket . Beam: Flood beam pattern(60 degree), 30 degee spot beam optional . 30000 hours above life time 	\$5	0.35kg/pcs 21*5*6CM 12pcs/ctn 6kgs
SHL 15B-36		36W 17" 2880LM		\$8	0.7kg/pcs 37*5*6CM 6pcs/ctn 6kgs
SHL 15B-54		54W 20" 4320LM		\$12	1kg/pcs 53*5*6CM CM 6pcs/ctn 7kgs
SHL 15B-72		72W 26" 5760LM		\$14	1.3kg/pcs 69*5*6CM 6pcs/ctn 8.5kgs
SHL 15B-90		90W 32" 7200LM		\$17	1.5kg/pcs 85*5*6CM 6pcs/ctn 11kgs
SHL 15B-108		108W 38" 8460LM		\$20	2kg/pcs 101*5*6CM 6pcs/ctn 14kgs
SHL 15B-126		126W 44" 10080LM		\$23	2.2kg/pcs 117*5*6CM 6pcs/ctn 15kgs
SHL 15B-144		144W 50" 11520LM		\$33	2.5kg/pcs 133*5*6CM 6pcs/ctn 17kgs

16B series jeep wrangler led light bar: single row ,high low beam

SHL 16B-48		48W 3840LM 10.6"	Voltage: 10-30 DC Waterproof: IP 67 .6pcs*5w+6pcs*3w high intensity creer LEDS .Body Color: Black, White Color Temperature: 6000K Material: Diecast aluminum housing . Lens: Toughed glass Mounting Bracket: Alu firm bracket Beam: high/low beam Life: 30000 hours above	\$17	1.5 kg/pcs 46*35.5*35CM 6pcs/ctn 10kgs
SHL 16B-96		96W 7680LM 16.7"		\$25	2.5 kg/pcs 56*46.5*35.5C M 6pcs/ctn 16kgs
SHL 16B-160		160W 12800LM 24.8"		\$35	3.5 kg/pcs 71*47*35.5CM 4pcs/ctn 15kgs
SHL 16B-240		240W 19200LM 32"		\$53	4.5 kg/pcs 95*35.5*31.5C M 4pcs/ctn 19kgs
SHL 16B-320		320W 25600LM 42"		\$70	6 kg/pcs 121*35.5*31.5 CM 4pcs/ctn 27kgs
SHL 16B-384		384W 25900LM 50"		\$83	7 kg/pcs 131*35.5*31.5 CM 4pcs/ctn 29kgs
SHL 16B-400		400W 32000LM 52"		\$87	7.5kg/pcs 142*35.5*31.5 CM 4pcs/ctn 31kgs

17B series : 3row 3030 Philip led chip Amber & White

SHL 17B-36		36w 2520LM 4"	3W 3030 philip LED Voltage: 9-32V DC Waterproof rate: IP67 Color temperature: 6500K Housing clor: black Material: aluminium alloy Lens: PC Beam type: Flood(60°), nencil(30°)	\$5	1 kg/pcs 37*37*23.5CM 20pcs/ctn 13kgs
SHL 17B-72		72W 5040LM 5.5"		\$7	1.2 kg/pcs 37*37*23.5CM 20pcs/ctn 9kgs
SHL 17B-216		216W 15"		\$19	12pc/ctn
SHL 17B-252		252W 17"		\$21	10pc/ctn
SHL 17B-288		288W 20160LM 20"		\$25	6pcs/ctn 69*33*24cm 11kgs
SHL 17B-432		432W 32400LM 24"		\$33	10pcs/ctn 108*33*24cm 15kgs



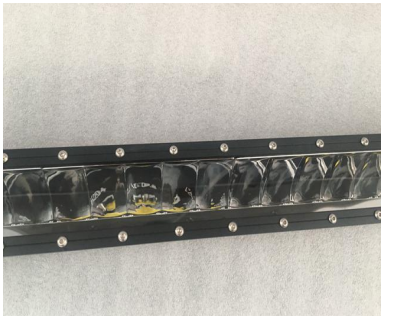
SHL 17B-324		324W 23"	Work temperature:- 40°C~85°C Work life: 50000 hours	\$28	6pc/ctn
SHL 17B-360		360W 25200LM 26"		\$30	6pcs/ctn 79*27*28cm 14kgs
SHL 17B-432		432W 30240LM 50"		\$35	4pcs/ctn 93*27*28cm 11kgs

18B Series : single row 10w/pc, white/ Yellow color CREE 10W LED


SHL 18B-20		20W 5.6" 1900 LM	LED: 10w CREE Voltage: 9-32V DC Waterproof rate: IP67 Color: White/Yellow Housing clor: black Material: aluminium alloy Lens: PC Beam type: one special beam Work temperature:- 40°C~85°C Work life: 50000 hours	Cree:\$18	1.5kg/pcs 42*27*34CM 6pcs/ctn 10kgs
SHL 18B-40		40W 9.6" 3800 LM		Cree:\$29	2.2kg/pcs 43*42*34CM 6pcs/ctn 13.5kgs
SHL 18B-60		60W 13.9" 5700 LM		Cree:\$39	2.8kg/pcs 63*42*34CM 6pcs/ctn 17kgs
SHL 18B-80		80W 17.7" 7600 LM		Cree:\$48	3kg/pcs 45*39*35CM 4pcs/ctn 13kgs
SHL 18B-100		100W 21.3" 9500LM		Cree:\$57	3.4kg/pcs 63*42*34CM 6pcs/ctn 21kgs
SHL 18B-120		120W 25.8" 10800 LM		Cree:\$66	3.8kg/pcs 66*27*33CM 4pcs/ctn 16kgs
SHL 18B-140		140W 30" 12600 LM		Cree:\$75	5kg/pcs 89*29*34CM 4pcs/ctn 20kgs
SHL 18B-160		160W 33.9" 14400 LM		Cree:\$84	5.3kg/pcs 101*26*27CM 4pcs/ctn 22kgs
SHL 18B-180		180W 38" 16200 LM		Cree:\$94	5.7kg/pcs 101*26*27CM 4pcs/ctn 23kgs
SHL 18B-200		200W 42" 18000 LM		Cree:\$104	6.1kg/pcs 114*29*34CM 4pcs/ctn 25kgs
SHL 18B-220	220W 46" 19800 LM	Cree:\$113	6.6kg/pcs 118*29*34CM 4pcs/ctn 27kgs		



SHL 18B-240		240W 50" 21600 LM		Cree:\$122	7.1kg/pcs 134*29*34CM 4pcs/ctn 29kgs
-------------	--	-------------------------	--	------------	---

19B Series: Single Row, CREE 5W/LED

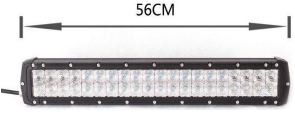
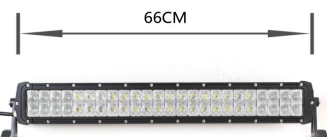

SHL 19B-25	  	25W 7" 2050 LM	<p>LED: 5w CREE XTE Voltage: 9-32V DC Waterproof rate: IP67 Color: White/Yellow Housing clor: black Material: aluminium alloy Lens: PC Beam type: one special beam Work temperature:- 40°C~85°C Work life: 50000 hours</p>	\$18	1.1kg/pcs 42*27*34CM 8pcs/ctn 10kgs
SHL 19B-50		50W 12" 4100 LM		\$28	2.8kg/pcs 63*42*34CM 6pcs/ctn 17kgs
SHL 19B-75		75W 17" 6150 LM		\$35	3kg/pcs 45*39*35CM 4pcs/ctn 13kgs
SHL 19B-100		100W 22" 8200 LM		\$44	3.4kg/pcs 63*42*34CM 6pcs/ctn 21kgs
SHL 19B-125		125W 27" 10000 LM		\$51	3.8kg/pcs 66*27*33CM 4pcs/ctn 16kgs
SHL 19B-150		150W 32" 12000 LM		\$61	5kg/pcs 89*29*34CM 4pcs/ctn 20kgs
SHL 19B-175		175W 37" 14000 LM		\$70	5.3kg/pcs 101*26*27CM 4pcs/ctn 22kgs
SHL 19B-200		200W 42" 16000 LM		\$79	6.1kg/pcs 114*29*34CM 4pcs/ctn 25kgs
SHL 19B-225		225W 47" 18000 LM		\$87	6.6kg/pcs 118*29*34CM 4pcs/ctn 27kgs
SHL 19B-250		250W 52" 19800 LM		\$96	7kg/pcs 130*29*34CM 4pcs/ctn 29kgs

20Series : Super Slim single row ; 5W/LED ;USA CREE/ 3D reflector

SHL 20B-30		30W 6"	<p>LED:CREE /3D 5W/LED Voltage: 9-32V DC Waterproof rate: IP68 Housing clor: black Material:</p>	\$8	1kg/pc 10pcs/ctn
SHL 20B-50		50W 8"		\$12	1.5kg/pc 8pcs/ctn
SHL 20B-100		100W 22"		\$23	2.5kg/pc 4pcs/ctn Meas: 60*22*40.5cm

SHL 20B-150		150W 31"	aluminium alloy Lens: PC Beam type: Spot/Flood/Combo	\$34	3.05kg/pc 4pcs/ctn Size: 88*22*28cm G.W.: 12.5KG
SHL 20B-200		200W 41"	temperature:- 40°C~85°C Work life: 50000 hours	\$46	4.00kg/pc Size: 118*20*11cm 4pcs/ctn
SHL 20B-250		250W 51"		\$57	5kg/pc 4pcs/ctn Size: 144*22*28cm G.W.: 22.5KG




SHL 21B series : Straight bar 3w CREE 2525/ philip 3030 LED

SHL 21B-120		22" /120W 40pcs*3 w/9600L M	.Operating Voltage:10-30DC .Waterproof rate: IP67 .Body Color:Black .Color	Philip:\$37 CREE: \$39	3.5kg/pcs 66*13*13cm 68*26*28CM 4pcs/ctn 14kgs
SHL 21B-144		26" /144W 48pcs*3 W/11520 LM	Temperature:6000K .Material:Diecast aluminum housing .Lens material:PC .Mounting Bracket:Alu firm bracket	Philip:\$44 CREE: \$47	4.5kg/pcs 72*13*13cm 74*26*28CM 4pcs/ctn 18kgs
SHL 21B-180		32" /180W 60pcs*3 W/14400 LM	.Optional Beam:Flood beam pattern(60 degree),or spot beam(30 degee) .30000 hours above life time	Philip:\$55.5 CREE: \$59	5.5kg/pcs 92*13*13cm 94*26*28CM 4pcs/ctn 22kgs




SHL 22B series : 3row led light bar ,Philip 3030

SHL 22B-153		14.5"/153W 51pcs*3w /10710LM	. Operating Voltage: 10-30 DC . Waterproof rate: IP 67 . Body Color: Black . Color Temperature: 6000K . Material:Diecast aluminum housing . Lens material:PC . Mounting Bracket: stainless steel bracket . Beam: Flood beam pattern(60 degree), 30 degee spot beam optional . 30000 hours above life time	\$11	0.5 kg/pcs 33*10*10CM 69*55*23CM 50pcs/ctn 25kgs
SHL 22B-180		16.5 " /180w 60pcs*3w /12600LM		\$72.50	0.8kg/pcs 45*10*10CM 93*55*23CM 50pcs/ctn 40kgs
SHL 22B-288		24.5" /288W 96pcs*3w /20160LM		\$16.50	1.5 kg/pcs 66*10*10CM 68*33*23CM 6pcs/ctn 9kgs
SHL 22B-423		34.5" /423W 141pcs*3w/ 29610LM		\$24.50	2.02 kg/pcs 92*10*10CM 94*33*23CM 6pcs/ctn 13kgs
SHL 22B-558		44.5"/558W 186pcs*3w/ 39060LM		\$32	2.7 kg/pcs 117*10*10CM 119*33*23CM 6pcs/ctn 16kgs
SHL 22B-666		52.5" /666W 222pcs*3w/ 46620LM		\$39	3 kg/pcs 134*10*10CM 136*33*23CM 6pcs/ctn 18kgs
SHL 22B-693		54.5"/693W 231pcs*3w/ 48510LM		\$40	3.2 kg/pcs 146*10*10CM 148*33*23CM 6pcs/ctn 20kgs



23B Series: 3 Row , 3030led


SHL 23B-60	  	60W 4"	LED:3030 Voltage:10-30VDC Waterproof rate: IP67 Color: 6000k Material:diecast aluminium Lens: PC Beam type:spot/flood/ combo Work temperature:- 40°C~85°C Work life: 50000 hours	\$5	40pc/ctn
SHL 23B-120		120W 6"		\$9	12pc/ctn
SHL 23B-240		240W 12"		\$16	4pc/ctn
SHL 23B-300		300W 15"		\$20	4pc/ctn
SHL 23B-420		420W 20"		\$25	4pc/ctn
SHL 23B-480		480W 23"		\$28	4pc/ctn

24 Series: 4Row, 8D , 3030led, straight; curved

SHL 24B-384	  	384W 22"	LED:3030 Philip Voltage:9-32VDC Waterproof rate: IP67 Color: 6000k Material:diecast aluminium Lens: PC Beam type:combo Work temperature:- 40°C~85°C Work life: 50000 hours	straight:\$36 curved:\$38	6pc/ctn
SHL 24B-564		564W 32"		straight:\$46 curved:\$49	6pc/ctn
SHL 24B-744		744W 42"		straight:\$57 curved:\$60	4pc/ctn
SHL 24B-888		888W 50"		straight:\$65 curved:\$69	4pc/ctn
SHL 24B-924		924W 52"		straight:\$67 curved:\$73	4pc/ctn

25 Series : 7D, 3Row, 3030 LED ,Straight; Curved

SHL 25B-36	 	81W 7"	LED:3030 Voltage:9-32VDC Waterproof rate: IP67 Color: 6000k Material:diecast aluminium Lens: PC Beam type:combo Work temperature:- 40°C~85°C Work life: 50000	straight:\$13	1.2kg/pc 30*12*12 10pc/ctn 65*31*26
SHL 25B-72		162W 12"		straight:\$18	2kg/pc 47*12*12 10pc/ctn 65*48*26
SHL 25B-120		270W 22"		straight:\$25 curved:\$27	3kg/pc 68*12*12 4pc/ctn 69*27*28
SHL 25B-180		405W 32"		straight:\$34 curved:39	4kg/pc 91*12*12 4pc/ctn 93*27*28
SHL 25B-240		540W 42"		straight:\$43 curved:\$51	5kg/pc 118*12*12 4pc/ctn 120*27*28

SHL 25B-288		648W 50"	hours	straight:\$50 curved:\$58	5.5kg/pc 135*12*12 4pc/ctn 137*27*28
SHL 25B-300		675W 52"		straight:\$53 curved:\$63	6kg/pc 144*12*12 4pc/ctn 145*27*28