

## 公司简介 PROFILE

Hohhot Monva Valve Co., Ltd. is located in the north of Hohhot city, which is the capital of Inner Mongolia Autonomous Region, and about 500 KM from Beijing. From its setting up, the company is focus in the research, development and manufacturing of valves, according to the philosophy of "Realistic, Seeking, Refinement, Innovation". Absorbing the advanced technology of Europe and America, it has developed many special products, which are sold all over the world. ISO9001:2000 certificate was approved by German TÜV.

The main products include stainless steel and carbon steel ball valve, check valve, globe valve, gate valve, strainer, and many kinds of investment casting machinery parts. The connection end can be screw, flange and weld according to DIN, ANSI, BS, JIS and GB. The products can be used in the field of foodstuff, medicine, sanitation, petroleum, natural pneumatic, chemistry, architecture, shipbuilding and etc.

With strict quality control, advanced technology and fine products, we welcome you to cooperate by all kinds, and develop together.

呼和浩特市蒙瓦阀业有限公司，座落于“塞外青城”呼和浩特市北部，毗邻京(北京)包(包头)高速公路，交通便利，距首都北京约500公里。自创建以来，公司秉承“求实、求是、求精、求新”的宗旨，致力于阀门产品的研究、开发与生产，同时不断吸收欧美发达国家的先进技术，开发了一系列独具特色的新产品，远销世界各地，并已通过德国TÜV颁发的ISO9001国际质量体系认证证书。

主要产品有不锈钢、碳钢球阀、止回阀、截止阀、闸阀和过滤器等，以及各类精密铸造机械零件。阀门的连接方式包括螺纹、法兰、焊接等多种形式，符合德标(DIN)、美标(ANSI)、英标(BS)、日标(JIS)、国标(GB)等标准，可广泛应用于食品、医药、卫生、石油、天然气、化工、建筑、造船等领域。

公司质量管理严格，工艺技术先进，产品质量上乘，竭诚欢迎各界朋友以多种方式进行合作，共图发展。

ZERTIFIKAT ◆ CERTIFICATE ◆ 證書 ◆ CERTIFICADO ◆ CERTIFICAT



# 证书

TÜV SÜD 管理服务有限公司  
认证部  
兹证明

呼和浩特市蒙瓦阀业有限公司  
中国内蒙古呼和浩特市新城区呼哈路4.5公里处  
邮编: 010050

在以下有效范围  
建立和实施了质量管理体系

阀门及相关金属制品的设计, 制造和销售

通过审核, 报告号: 70733296  
证明该体系满足

**ISO 9001: 2000**

的要求。本证书有效期至2011年01月17日  
证书注册号: 12 100 33013 TMS



*M. Worgel*  
慕尼黑, 2008年02月20日



TÜV SÜD Management Service GmbH • Zertifizierstelle • Ridlerstraße 65 • 80339 München • Germany TÜV®



# CERTIFICATE

The Certification Body  
of TÜV SÜD Management Service GmbH  
certifies that

**HOHHOT MONVA VALVE CO., LTD.**  
4.5 KM, Huha Road, Xincheng District  
010050 Hohhot, Inner Mongolia  
P. R. China

has established and applies  
a Quality Management System for  
**Design, Manufacture and Sales of Valves  
and Related Metal Products**

An audit was performed, Report No. 70733296  
Proof has been furnished that the requirements  
according to

**ISO 9001: 2000**

are fulfilled. The certificate is valid until 2011-01-17  
Certificate Registration No. 12 100 33013 TMS



*M. Worgel*  
Munich, 2008-02-20



TÜV SÜD Management Service GmbH • Zertifizierstelle • Ridlerstraße 65 • 80339 München • Germany TÜV®

ZERTIFIKAT ◆ CERTIFICATE ◆ 證書 ◆ CERTIFICADO ◆ CERTIFICAT

# 目录 *Table of contents*

## ..... 精密铸造球阀 BALL VALVE

	<b>MV-10</b>	<b>1</b>
	1-pc Ball Valve 精密铸造一片式球阀(缩径)	
	<b>MV-11</b>	<b>2</b>
	1-pc Ball Valve With Locking Device 精密铸造一片式球阀(缩径,带挂锁)	
	<b>MV-12</b>	<b>3</b>
	1-pc Bar Stock Ball Valve, 2000PSI 六角棒料一片式球阀(缩径)	
	<b>MV-14 (1/2"~3/4")</b>	<b>4</b>
	1-pc Wafer Flange Ball Valve 精密铸造一片对夹式法兰球阀	
	<b>MV-14 (1"~4")</b>	<b>5</b>
	1-pc Wafer Flange Ball Valve 精密铸造一片对夹式法兰球阀	
	<b>MV-15</b>	<b>6</b>
	1-pc Bar Stock Ball Valve, 1000PSI 六角棒料一片式球阀(缩径)	
	<b>MV-21</b>	<b>7</b>
	2-pc Ball Valve 精密铸造二片式球阀(通径)	
	<b>MV-22</b>	<b>8</b>
	2-pc Ball Valve 精密铸造美标二片式球阀(缩径)	
	<b>MV-23</b>	<b>9</b>
	2-pc Ball Valve , DIN Length 精密铸造德标二片式球阀(通径)	
	<b>MV-24</b>	<b>10</b>
	2-pc Flange Ball Valve 精密铸造美标二片式法兰球阀(通径)	
	<b>MV-25</b>	<b>11</b>
	2-pc Ball Valve 精密铸造二片式球阀(通径)	

# 目录 *Table of contents*

## ..... 精密铸造球阀 BALL VALVE

	<b>MV-31</b>	<b>12</b>
	3-pc Ball Valve 精密铸造三片式球阀(通径)	
	<b>MV-31(s) MV-31(B)</b>	<b>13</b>
	3-pc Socket Weld /Butt-Weld Ball Valve 精密铸造三片式承插焊球阀/对焊球阀(通径)	
	<b>MV-33</b>	<b>14</b>
	3-pc Ball Valve 精密铸造德标三片式球阀(通径)	
	<b>MV-33(s) MV-33(B)</b>	<b>15</b>
	3-pc Socket Weld/Butt-Weld Ball Valve 精密铸造德标三片式承插焊球阀/对焊球阀(通径)	
	<b>MV-34</b>	<b>16</b>
	3-pc Flange Ball Valve 精密铸造三片式法兰球阀(通径)	
	<b>MV-81</b>	<b>17</b>
	3-pc Ball Valve With Mounting Pad 三片式螺纹球阀(通径, 带驱动盘)	
	<b>MV-81(s) MV-81(B)</b>	<b>18</b>
	3-PC Socket Weld/ Butt-Weld Ball Valve with Mounting Pad 精密铸造三片式承插焊球阀/对焊球阀 (通径, 带驱动盘)	
	<b>MV-81(DA)</b>	<b>19</b>
	3-pc Ball Valve With Pneumatic Actuator 三片式气动球阀(双作用)	
	<b>MV-81(SR)</b>	<b>20</b>
	3-pc Ball Valve With Pneumatic Actuator 三片式气动球阀(单作用)	
	<b>MV-82</b>	<b>21</b>
	2-pc Ball Valve With Mounting Pad 精密铸造二片式球阀(通径, 带驱动盘)	
	<b>MV-83</b>	<b>22</b>
	3-pc Ball Valve With Mounting Pad 德标三片式螺纹球阀(通径, 带驱动盘)	

# 目录 *Table of contents*

## ..... 精密铸造球阀 BALL VALVE



**MV-83(s) MV-83(B) 23**

3-PC Socket Weld/ Butt-Weld Ball Valve with Mounting Pad  
精密铸造德标三片式承插焊球阀/对焊球阀 ( 通径, 带驱动盘 )



**MV-84 24**

3-pc Flange Ball Valve with Mounting Pad  
精密铸造三片式法兰球阀(通径, 带驱动盘)



**MV-85(L) 25**

3-way Ball Valve with Mounting Pad ("L"Type)  
三通式球阀 ( 缩径, "L"型, 带驱动盘 )



**MV-85(T) 26**

3-way Ball Valve with Mounting Pad ("T"Type)  
三通式球阀 ( 缩径, "T"型, 带驱动盘 )

## ..... 精密铸造止回阀 CHECK VALVE



**MV-51 27**

Swing Disc Check Valve  
精密铸造旋启式止回阀



**MV-52 28**

Single Disc Wafer Check Valve(Spring)  
精密铸造对夹止回阀(弹簧式)



**MV-53 MV-53(E) 29**

Single Disc Wafer Check Valve(Spring)  
精密铸造对夹式止回阀(弹簧式)



**MV-54 30**

Single Disc Wafer Check Valve(Swing)  
精密铸造对夹式止回阀(旋启式)



**MV-55 31**

Vertical Spring Check Valve  
弹簧立式止回阀

## ..... 过滤器 STRAINER

# 目录 *Table of contents*

## ..... 过滤器 STRAINER



MV-4 1

32

Y-strainer  
精密铸造Y型过滤器



MV-4 1 (B)

33

Y-strainer with Blow off  
精密铸造Y型过滤器(带泄孔)

## ..... 其他阀门 OTHER VALVES



MV-6 1

34

Globe Valve  
螺纹连接截止阀



MV-7 1

35

Gate Valve  
螺纹连接闸阀

## ..... 配件 FITTINGS



MV-900 1

36

Quick Joint  
快速接头



MV-9 1 0 1 ~ MV-9 1 0 6

37

Butt-Weld Fitting  
焊接管件



MV-920 1

37

Flange  
法兰



MV-930 1

37

Hatch (Manway)  
人孔



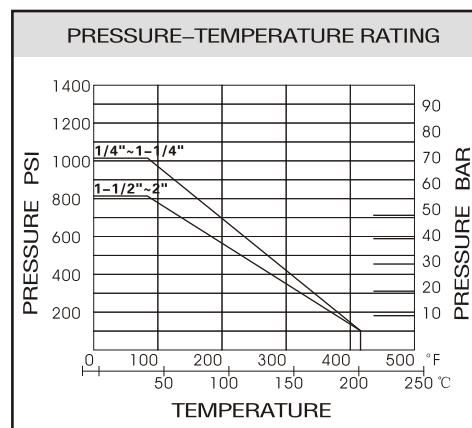
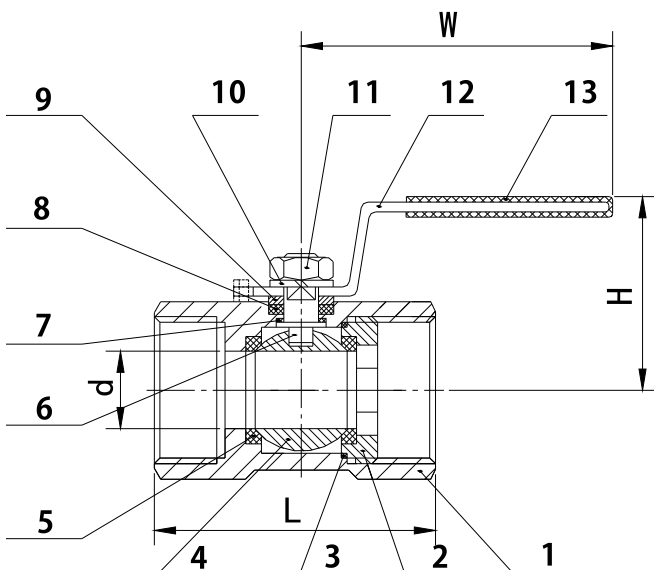
# MV-10

## 1-pc Ball Valve

- Investment casting for body and cap
  - Reduce bore
  - Threaded ends: ANSI B2.1, BS 21, DIN 259/2999
  - Pressure rating: 1000 PSI (PN63)
  - Working temperature: -25°C +180°C
  - Material: CF8M, CF8, CF3M, WCB
- 
- 精密铸造一片式球阀（缩径）
  - 螺纹标准：ANSI B2.1, BS 21, DIN 259/2999
  - 公称压力：1000 PSI(PN63)
  - 工作温度：-25°C +180°C
  - 材 料：CF8M, CF8, CF3M, WCB

BALL VALVE

1



### DIMENSION LIST

SIZE	d	L	H	W	N • m	Kgs
1/4"	5	40	33	67	2	0.07
3/8"	7	45	36	67	2	0.10
1/2"	9	58	37	93	3	0.15
3/4"	12.5	60	42	93	3	0.25
1"	15	71	52	103	4	0.35
1-1/4"	20	78	56	103	5	0.52
1-1/2"	25	82	65	125	7	0.80
2"	32	100	70	125	9	1.30

### MATERIAL LIST

ITEM	PART	MATERIAL	QTY
1	Body	CF8M	1
2	Cap	CF8M	1
3	Body Gasket	PTFE	1
4	Ball	SS316	1
5	Ball Seat	R-PTFE (15%)	2
6	Stem	SS316	1
7	Thrust Washer	PTFE	1
8	Stem Packing	PTFE	1
9	Washer	SS304	1
10	Spring Washer	SS304	1
11	Nut	SS304	1
12	Handle	SS304	1
13	Handle Cover	Plastic	1

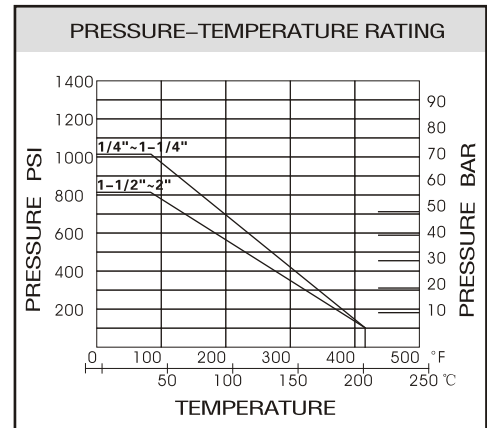
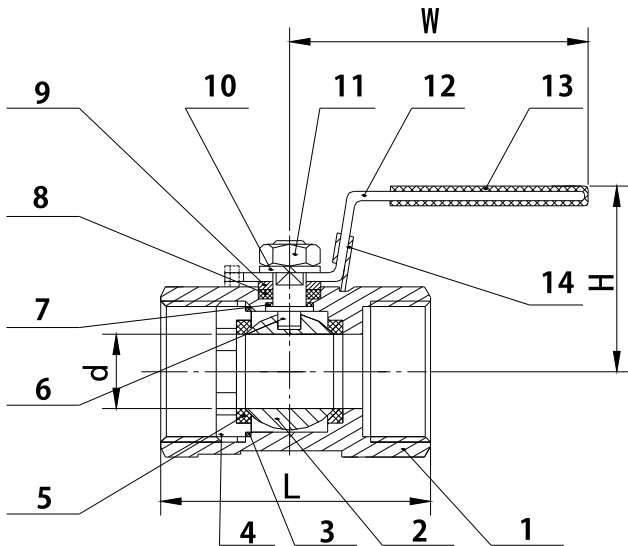


# MV-11

## 1-pc Ball Valve with Locking Device

- Investment casting for body and cap
- Reduce bore
- Threaded ends: ANSI B2.1, BS 21, DIN 259/2999
- Pressure rating : 1000 PSI (PN63)
- Working temperature: -25°C +180°C
- Material: CF8M, CF8, CF3M, WCB

- 精密铸造一片式球阀（缩径，带挂锁）
- 螺纹标准：ANSI B2.1, BS 21, DIN 259/2999
- 公称压力：1000 PSI(PN63)
- 工作温度：-25°C +180°C
- 材 料：CF8M, CF8, CF3M, WCB



BALL VALVE

2

### DIMENSION LIST

SIZE	d	L	H	W	N • m	Kgs
1/4"	5	40	33	67	2	0.09
3/8"	7	45	36	67	2	0.12
1/2"	9	58	37	93	3	0.19
3/4"	12.5	60	42	93	3	0.28
1"	15	72	52	103	4	0.39
1-1/4"	20	78	56	103	5	0.58
1-1/2"	25	82	65	125	7	0.85
2"	32	100	70	125	9	1.35

### MATERIAL LIST

ITEM	PART	MATERIAL	QTY
1	Body	CF8M	1
2	Ball	SS316	1
3	Body Gasket	PTFE	1
4	Cap	CF8M	1
5	Ball Seat	R-PTFE (15%)	2
6	Stem	SS316	1
7	Thrust Washer	PTFE	1
8	Stem Packing	PTFE	1
9	Washer	SS304	1
10	Spring Washer	SS304	1
11	Nut	SS304	1
12	Handle	SS304	1
13	Handle Cover	Plastic	1
14	Lock device	SS304	1



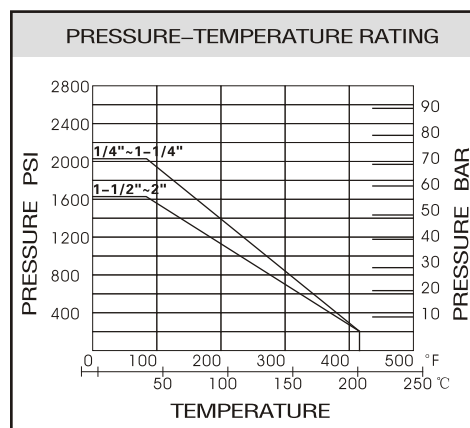
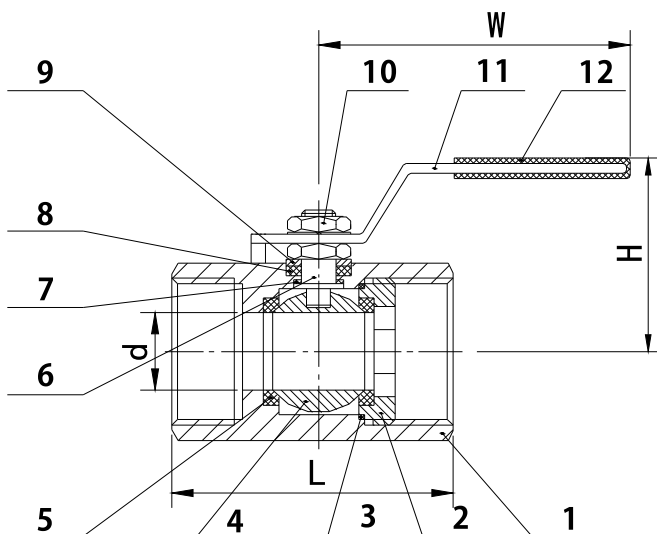


# MV-12

## 1-pc Bar Stock Ball Valve

- Reduce bore
- Threaded ends: ANSI B2.1, BS 21, DIN 259/2999
- Pressure rating: 2000 PSI (PN125)
- Working temperature: -25°C +180°C
- Material: Carbon steel

- 六角棒料一片式球阀（缩径）
- 螺纹标准：ANSI B2.1, BS 21, DIN 259/2999
- 公称压力：2000 PSI(PN125)
- 工作温度：-25°C +180°C
- 材 料：碳钢



### DIMENSION LIST

SIZE	d	L	H	W	N • m	Kgs
1/4"	5	43	33	67	2	0.11
3/8"	7	45	36	67	2	0.17
1/2"	9	62	37	93	3	0.33
3/4"	12.5	70	42	93	3	0.48
1"	15	85.5	52	103	4	0.70
1-1/4"	20	94	56	103	5	0.88
1-1/2"	25	101.5	65	125	7	1.53
2"	32	114.5	70	125	9	2.31

### MATERIAL LIST

ITEM	PART	MATERIAL	QTY
1	Body	Carbon Steel	1
2	Cap	Carbon Steel	1
3	Body Gasket	PTFE	1
4	Ball	SS304	1
5	Ball Seat	R-PTFE (15%)	2
6	Stem	SS304	1
7	Thrust Washer	PTFE	1
8	Stem Packing	PTFE	1
9	Washer	SS304	1
10	Nut	SS304	2
11	Handle	SS304	1
12	Handle Cover	Plastic	1

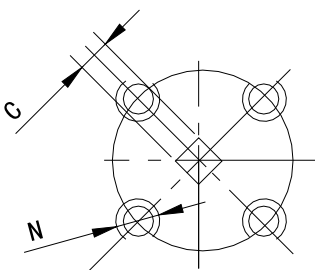
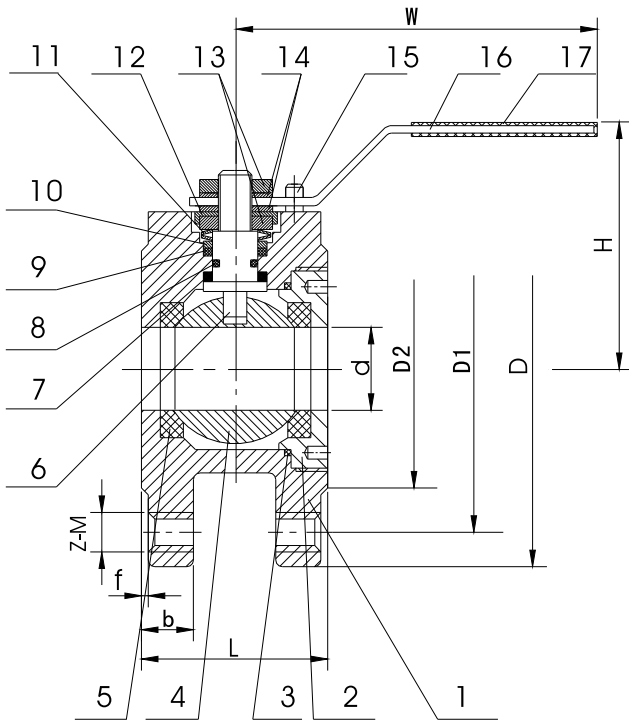


### MV-14 (1/2"~3/4")

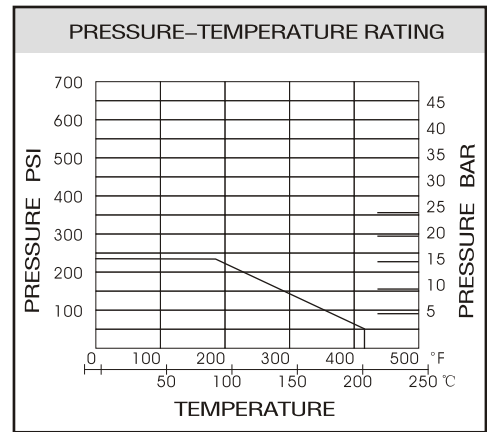
#### 1-pc Wafer Flange Ball Valve

- Investment casting for body and cap
- Flang ends: DIN2543
- Pressure rating : PN16
- Working temperature: -25°C +180°C
- Material: CF8M, CF8, CF3M, WCB

- 精密铸造一片对夹式法兰球阀
- 法兰标准: DIN2543
- 公称压力: PN16
- 工作温度: -25°C +180°C
- 材 料: CF8M, CF8, CF3M, WCB



ISO 5211



#### MATERIAL LIST

ITEM	PART	MATERIAL	QTY
1	Body	CF8M	1
2	Cap	CF8M	1
3	Body Gasket	PTFE	1
4	Ball	SS316	1
5	Ball Seat	R-PTFE (15%)	2
6	Stem	SS316	1
7	Thrust Washer	PTFE	1
8	O-Ring	VITON	1
9	Stem Packing	PTFE	1
10	Packing Ring	SS304	1
11	Belleville Washer	SS301	2
12	Nut Stopper	SS304	1
13	Nut	SS304	2
14	Plate Washer	SS304	2
15	Lock Device	SS304	1
16	Handle	SS304	1
17	Plastic Cover	PLASTIC	1

#### DIMENSION LIST

SIZE	d	L	D	D1	D2	b	f	H	W	C	N	ISO5211	Z-M	N · m	Kgs
1/2"	15	36	95	65	45	12	2	70	115	9	M5	F03	4-M12	5	1.11
3/4"	20	38	105	75	58	12	2	78	115	9	M5	F03	4-M12	8	1.48

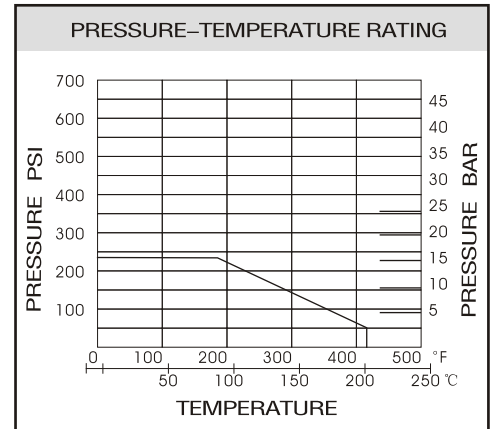
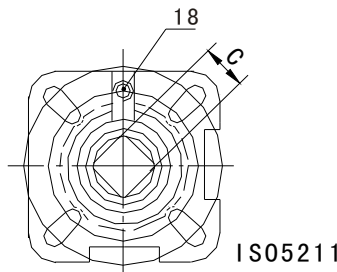
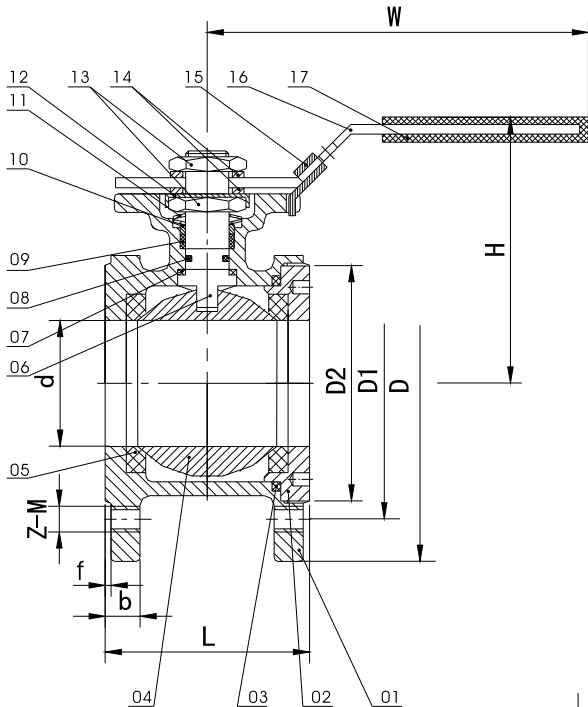


# MV-14 (1"~4")

## 1-pc Wafer Flange Ball Valve

- Investment casting for body and cap
- Flange ends: DIN2543
- Pressure rating : PN16
- Working temperature: -25°C +180°C
- Material: CF8M, CF8, CF3M, WCB

- 精密铸造一片对夹式法兰球阀
- 法兰标准: DIN2543
- 公称压力: PN16
- 工作温度: -25°C +180°C
- 材 料: CF8M, CF8, CF3M, WCB



BALL VALVE

5

### MATERIAL LIST

ITEM	PART	MATERIAL	QTY
1	Body	CF8M	1
2	Cap	CF8M	1
3	Body Gasket	PTFE	1
4	Ball	SS316	1
5	Ball Seat	R-PTFE (15%)	2
6	Stem	SS316	1
7	Thrust Washer	PTFE	1
8	O-Ring	VITON	1
9	Stem Packing	PTFE	1
10	Packing Ring	SS304	1
11	Belleville Washer	SS301	2
12	Nut Stopper	SS304	1
13	Nut	SS304	2
14	Plate Washer	SS304	2
15	Lock Device	SS304	1
16	Handle	SS304	1
17	Plastic Cover	PLASTIC	1
18	Stop Pin	SS304	1

### DIMENSION LIST

SIZE	d	L	D	D1	D2	b	f	H	W	C	ISO5211	Z-M	N • m	Kgs
1"	20	50	115	85	68	12	2	90	160	11	F04/F05	4-M12	10	1.95
1-1/4"	32	53	140	100	78	14	2	100	160	11	F04/F05	4-M16	14	3.10
1-1/2"	40	65	150	110	88	15	3	105	200	14	F05/F07	4-M16	18	4.18
2"	50	78	165	125	102	16	3	125	200	14	F05/F07	4-M16	25	5.37
2-1/2"	65	98	185	145	122	16	3	140	255	17	F07/F10	4-M16	48	8.18
3"	76	118	200	160	138	18	3	145	255	17	F07/F10	8-M16	75	11.92
4"	94	140	220	180	158	18	3	175	300	17	F07/F10	8-M16	110	16.92

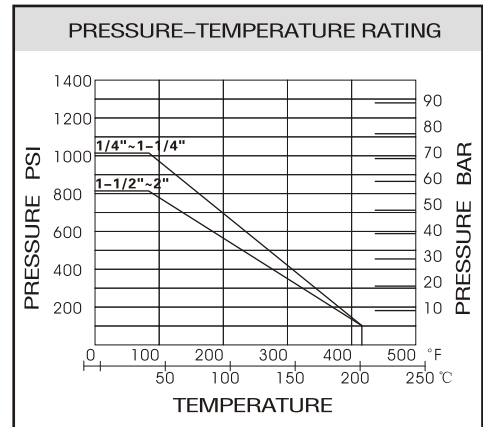
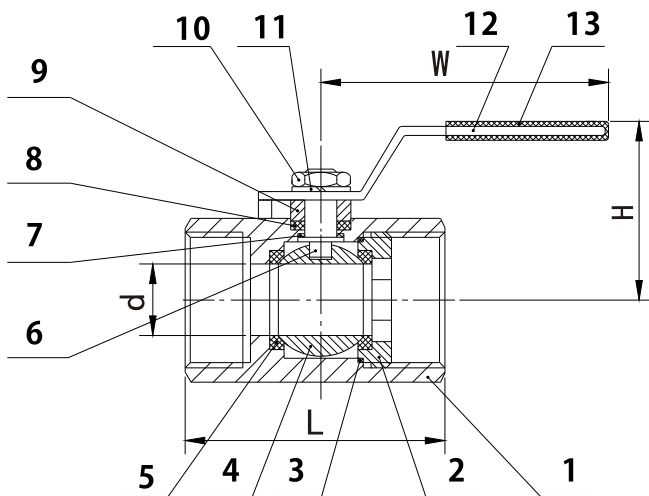


# MV-15

## 1-pc Bar Stock Ball Valve

- Reduce bore
- Threaded ends: ANSI B2.1, BS 21, DIN 259/2999
- Pressure rating: 1000 PSI (PN63)
- Working temperature: -25°C +180°C
- Material: Carbon steel

- 六角棒料一片式球阀（缩径）
- 螺纹标准：ANSI B2. 1, BS 21, DIN 259/2999
- 公称压力：1000 PSI(PN63)
- 工作温度：-25°C +180°C
- 材 料：碳钢



### DIMENSION LIST

SIZE	d	L	H	W	N • m	Kgs
1/4"	5	40	35	64	2	0.08
3/8"	7	45	37	70	2	0.12
1/2"	9	58	43.5	90	3	0.20
3/4"	12.5	60	47	90	3	0.30
1"	15	72	50	103	4	0.45
1-1/4"	20	89	57	103	5	0.75
1-1/2"	25	97	69	127	7	1.00
2"	32	100	71.5	127	9	1.49

### MATERIAL LIST

ITEM	PART	MATERIAL	QTY
1	Body	Carbon Steel	1
2	Cap	Carbon Steel	1
3	Body Gasket	PTFE	1
4	Ball	SS304	1
5	Ball Seat	R-PTFE (15%)	2
6	Stem	SS304	1
7	Thrust Washer	PTFE	1
8	Stem Packing	PTFE	1
9	Washer	SS304	1
10	Spring Washer	SS304	1
11	Nut	SS304	1
12	Handle	SS304	1
13	Handle Cover	Plastic	1

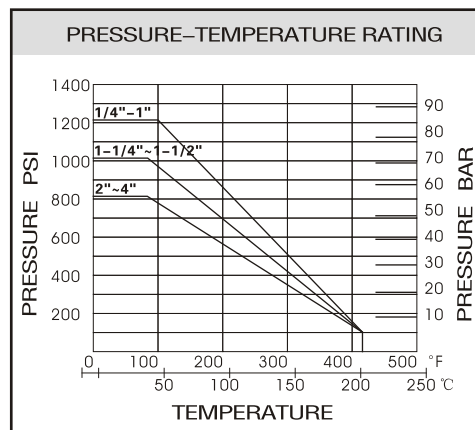
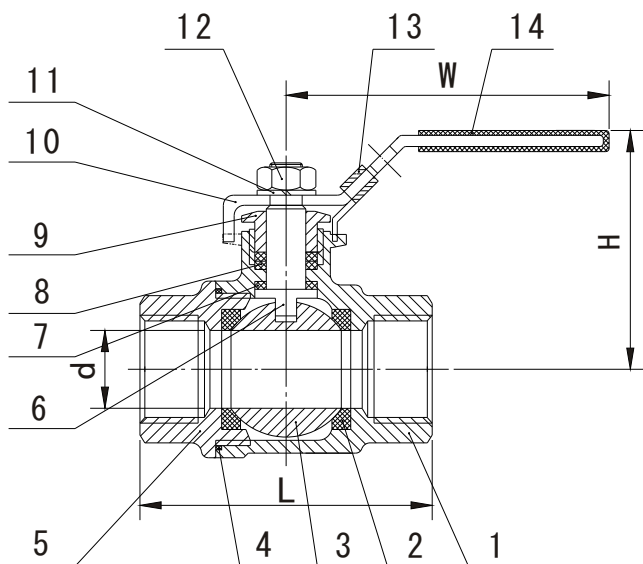


# MV-21

## 2-pc Ball Valve

- Investment casting for body and cap
- Full bore
- Threaded ends: ANSI B2.1, BS 21, DIN 259/2999
- Pressure rating: 1000 PSI (PN63)
- Working temperature: -25°C +180°C
- Material: CF8M, CF8, CF3M, WCB

- 精密铸造二片式球阀（口径）
- 螺纹标准：ANSI B2.1, BS 21, DIN 259/2999
- 公称压力：1000 PSI(PN63)
- 工作温度：-25°C +180°C
- 材 料：CF8M, CF8, CF3M, WCB



### DIMENSION LIST

SIZE	d	L	H	W	N • m	Kgs
1/4"	10	53	50	92	4	0.24
3/8"	12	53	50	92	4	0.23
1/2"	15	62	58	105	5	0.30
3/4"	20	71	62	117	8	0.47
1"	25	80	72	135	10	0.73
1-1/4"	32	96	80	142	14	1.11
1-1/2"	38	105	90	168	18	1.73
2"	50	118	98	178	25	2.46
2-1/2"	65	154	123	250	48	5.01
3"	76	173	140	250	75	7.61
4"	94	221	175	293	110	14.75

### MATERIAL LIST

ITEM	PART	MATERIAL	QTY
1	Body	CF8M	1
2	Ball Seat	R-PTFE(15%)	2
3	Ball	SS316	1
4	Body Gasket	PTFE	1
5	Cap	CF8M	1
6	Stem	SS316	1
7	Thrust Washer	PTFE	1
8	Stem Packing	PTFE	1
9	Gland Nut	SS304	1
10	Handle	SS304	1
11	Spring Washer	SS304	1
12	Nut	SS304	1
13	Lock Device	SS304	1
14	Handle Cover	Plastic	1

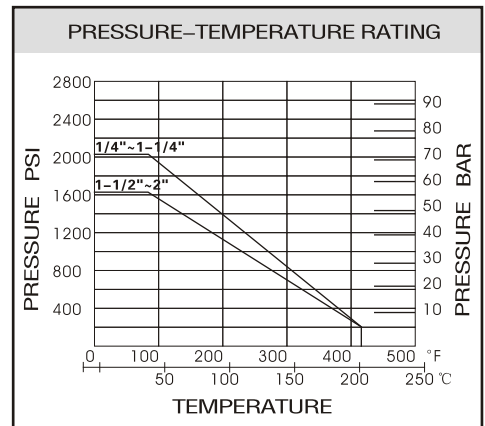
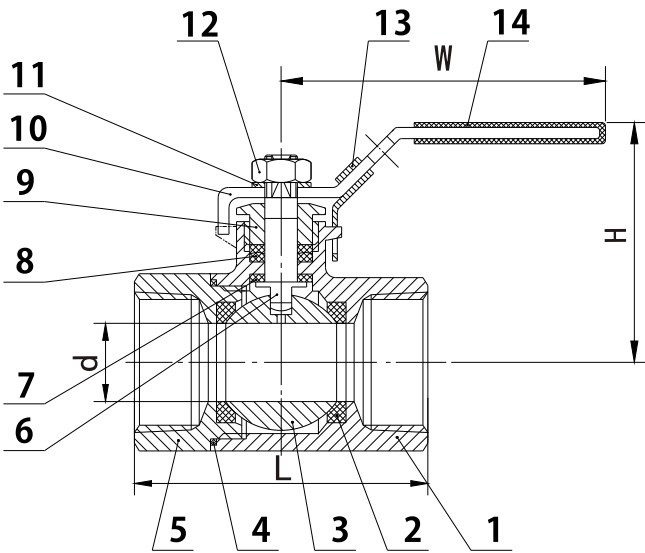


# MV-22

## 2-pc Ball Valve

- Investment casting for body and cap
- Reduce bore
- Threaded ends: ANSI B2.1, BS 21, DIN 259/2999
- Pressure rating : 2000 PSI (PN125)
- Working temperature: -25°C +180°C
- Material: CF8M, CF8, CF3M, WCB

- 精密铸造美标二片式球阀（缩径）
- 螺纹标准：ANSI B2. 1, BS 21, DIN 259/2999
- 公称压力：2000 PSI(PN125)
- 工作温度：-25°C +180°C
- 材 料：CF8M,CF8,CF3M,WCB



BALL VALVE

8

### DIMENSION LIST

SIZE	d	L	H	W	N • m	Kgs
1/4"	9.5	54	42	106	4	0.24
3/8"	9.5	54	42	106	4	0.22
1/2"	12.7	61	46	106	5	0.32
3/4"	17.5	71	53	148	8	0.60
1"	22.2	85	58	148	10	0.89
1-1/4"	25.4	91	68	193	14	1.21
1-1/2"	31.7	102	72	193	18	1.75
2"	38.1	118	78	193	25	2.68

### MATERIAL LIST

ITEM	PART	MATERIAL	QTY
1	Body	CF8M	1
2	Ball Seat	R-PTFE(15%)	2
3	Ball	SS316	1
4	Body Gasket	PTFE	1
5	Cap	CF8M	1
6	Stem	SS316	1
7	Thrust Washer	PTFE	1
8	Stem Packing	PTFE	1
9	Gland Nut	SS304	1
10	Handle	SS304	1
11	Spring Washer	SS304	1
12	Nut	SS304	1
13	Lock device	SS304	1
14	Handle Cover	Plastic	1

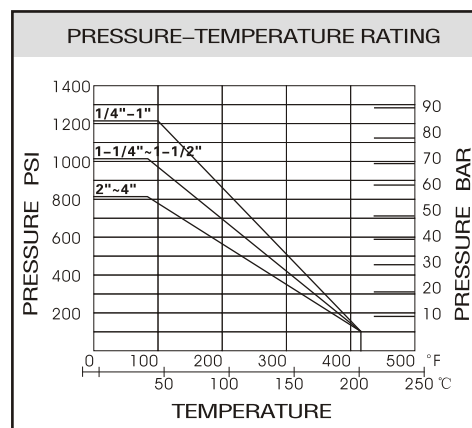
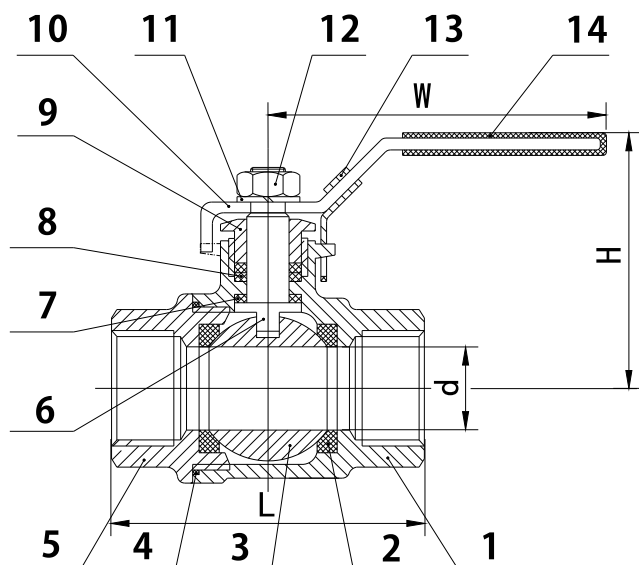


# MV-23

## 2-pc Ball Valve

- Investment casting for body and cap
  - Full bore
  - Threaded ends: ANSI B2.1, BS 21, DIN 259/2999
  - Length: DIN3202-M3
  - Pressure rating: 1000 PSI (PN63)
  - Working temperature: -25°C +180°C
  - Material: CF8M, CF8, CF3M, WCB
- 
- 精密铸造德标二片式球阀（口径）
  - 螺纹标准：ANSI B2.1, BS 21, DIN 259/2999
  - 阀门长度：DIN3202-M3
  - 公称压力：1000 PSI(PN63)
  - 工作温度：-25°C +180°C
  - 材 料：CF8M, CF8, CF3M, WCB

BALL VALVE 9



### DIMENSION LIST

SIZE	d	L	H	W	N • m	Kgs
1/4"	6	50	50	100	4	0.22
3/8"	10	60	50	100	4	0.20
1/2"	15	75	52	100	5	0.34
3/4"	20	80	57	115	8	0.52
1"	25	90	78	150	10	0.78
1-1/4"	32	110	88	150	14	1.23
1-1/2"	40	120	95	180	18	2.00
2"	50	140	100	180	25	2.98
2-1/2"	65	185	120	245	48	6.05
3"	80	205	130	245	75	9.90
4"	100	240	160	278	110	16.60

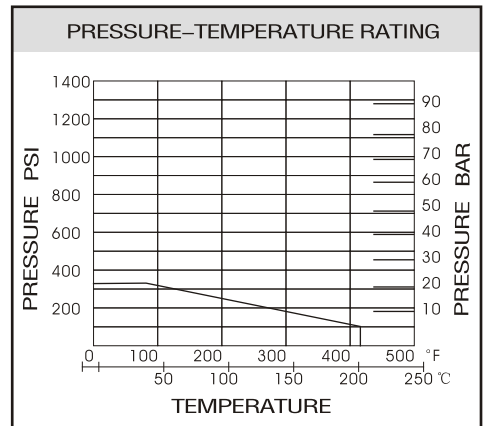
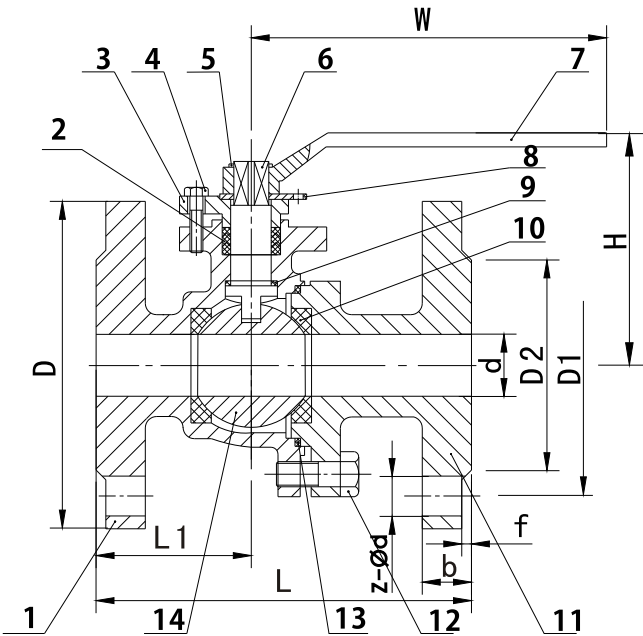
### MATERIAL LIST

ITEM	PART	MATERIAL	QTY
1	Body	CF8M	1
2	Ball Seat	R-PTFE(15%)	2
3	Ball	SS316	1
4	Body Gasket	PTFE	1
5	Cap	CF8M	1
6	Stem	SS316	1
7	Thrust Washer	PTFE	1
8	Stem Packing	PTFE	1
9	Gland Nut	SS304	1
10	Handle	SS304	1
11	Spring Washer	SS304	1
12	Nut	SS304	1
13	Lock Device	SS304	1
14	Handle Cover	Plastic	1

### MV-24

#### 2-pc Flange Ball Valve

- Investment casting for body and cap
  - Full bore
  - Flanged ends: ANSI B16. 5
  - Face fo Face: ANSI B16. 10
  - Pressure rating : 150 Lb
  - Working temperature: -25°C +180°C
  - Material: CF8M, CF8, CF3M, WCB
- 
- 精密铸造美标二片式法兰球阀（口径）
  - 法兰标准：ANSI B16. 5
  - 结构长度：ANSI 16. 10
  - 公称压力：150 Lb
  - 工作温度：-25°C +180°C
  - 材 料：CF8M, CF8, CF3M, WCB



BALL VALVE

10

#### DIMENSION LIST

SIZE	d	L	D	D1	D2	b	f	Z-Ød	H	W	Kgs
1/2"	15	108	89	60.5	35	11	2	4-Ø15	65	120	1.80
3/4"	20	117	98	70	43	11	2	4-Ø15	70	130	3.00
1"	25	127	108	79.5	51	12	2	4-Ø15	85	130	4.50
1-1/4"	32	140	117	89	64	13	2	4-Ø15	100	160	5.50
1-1/2"	40	165	127	98.5	73	15	2	4-Ø15	120	205	5.80
2"	50	178	152	120.5	92	16	2	4-Ø19	130	205	8.90
2-1/2"	65	190	178	139.5	105	18	2	4-Ø19	140	210	9.80
3"	80	203	190	152.5	127	19	2	4-Ø19	170	300	17.00
4"	100	229	229	190.5	157	24	2	8-Ø19	205	300	26.20
5"	125	356	254	216	186	24	2	8-Ø22	260	800	39.10
6"	150	394	279	241.5	216	26	2	8-Ø22	350	900	58.20
8"	200	457	343	298.5	270	29	2	8-Ø22	500	1000	102.60

#### MATERIAL LIST

ITEM	PART	MATERIAL	QTY
1	Body	CF8M	1
2	Stem Packing	PTFE	1
3	Gland	CF8M	1
4	Gland Bolt	SS304	2
5	Snap Ring	SS304	1
6	Stem	SS316	1
7	Handle	SS/CS	1
8	Stoper	SS304	1
9	Thrust Washer	PTFE	1
10	Ball Seat	R-PTFE15%	2
11	Cap	CF8M	1
12	Bolt	SS304	4(6)
13	Body Gasket	PTFE	1
14	Ball	SS316	1



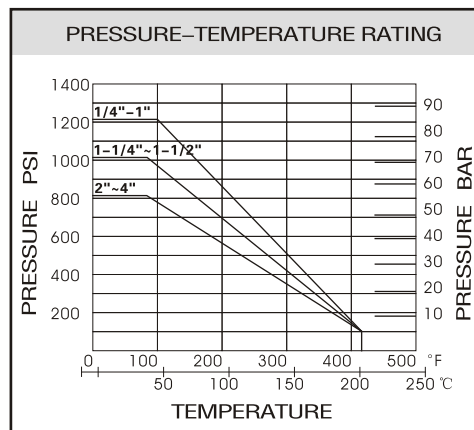
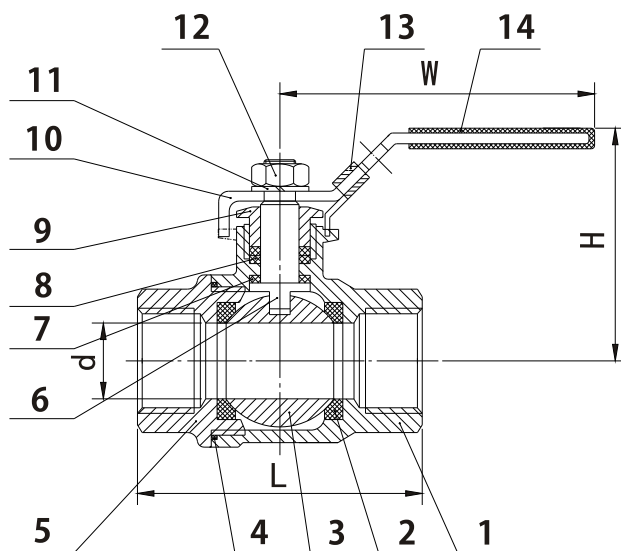


# MV-25

## 2-pc Ball Valve

- Investment casting for body and cap
- Full bore
- Threaded ends: ANSI B2.1, BS 21, DIN 259/2999
- Pressure rating : 1000 PSI (PN63)
- Working temperature: -25°C +180°C
- Material: CF8M, CF8, CF3M, WCB

- 精密铸造二片式球阀（口径）
- 螺纹标准：ANSI B2.1, BS 21, DIN 259/2999
- 公称压力：1000 PSI(PN63)
- 工作温度：-25°C +180°C
- 材 料：CF8M, CF8, CF3M, WCB



BALL VALVE

11

### DIMENSION LIST

SIZE	d	L	H	W	N • m	Kgs
1/4"	11.5	49	54	100	4	0.23
3/8"	12.5	49	54	100	4	0.23
1/2"	15	57	56	100	5	0.24
3/4"	20	64	65	115	8	0.45
1"	25	77	70	150	10	0.65
1-1/4"	32	90	75	150	14	1.05
1-1/2"	40	105	93	180	18	1.70
2"	50	125	99	180	25	2.61
2-1/2"	65	154	123	245	48	5.01
3"	76	173	140	245	75	7.61
4"	94	221	175	278	110	14.75

### MATERIAL LIST

ITEM	PART	MATERIAL	QTY
1	Body	CF8M	1
2	Ball Seat	R-PTFE15%	2
3	Ball	SS316	1
4	Body Gasket	PTFE	1
5	Cap	CF8M	1
6	Stem	SS316	1
7	Thrust Washer	PTFE	1
8	Stem Packing	PTFE	1
9	Gland Nut	SS304	1
10	Handle	SS304	1
11	Spring Washer	SS304	1
12	Nut	SS304	1
13	Lock Device	SS304	1
14	Handle Cover	Plastic	1

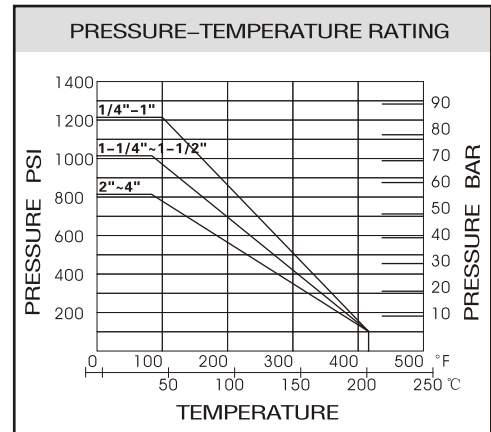
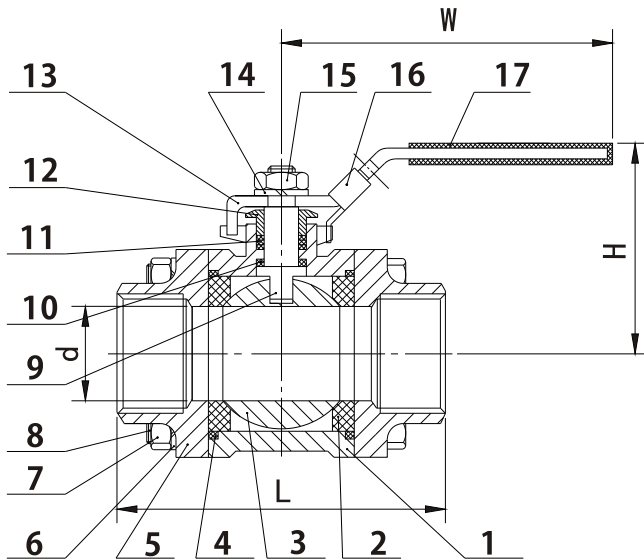


# MV-31

## 3-pc Ball Valve

- Investment casting for body and cap
- Full bore
- Threaded ends: ANSI B2.1, BS 21, DIN 259/2999
- Pressure rating : 1000 PSI (PN63)
- Working temperature: -25°C +180°C
- Material: CF8M, CF8, CF3M, WCB

- 精密铸造三片式球阀（口径）
- 螺纹标准：ANSI B2.1, BS 21, DIN 259/2999
- 公称压力：1000 PSI(PN63)
- 工作温度：-25°C +180°C
- 材 料：CF8M, CF8, CF3M, WCB



BALL VALVE

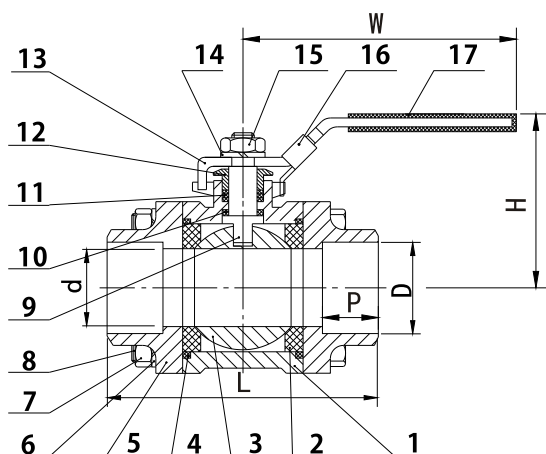
12

### DIMENSION LIST

SIZE	d	L	H	W	N • m	Kgs
1/4"	11	47	51	105	4	0.35
3/8"	12.5	47	51	105	4	0.34
1/2"	15	54	53	118	5	0.39
3/4"	20	73	60	118	8	0.73
1"	25	79	75	150	10	1.10
1-1/4"	32	90	80	150	14	1.60
1-1/2"	40	102	88	182	18	2.52
2"	50	118	95	182	25	3.32
2-1/2"	65	149	121	254	48	6.50
3"	80	180	135	224	75	11.00
4"	100	223	158	285	110	19.20

### MATERIAL LIST

ITEM	PART	MATERIAL	QTY
1	Body	CF8M	1
2	Ball Seat	R-PTFE(15%)	2
3	Ball	SS316	1
4	Body Gasket	PTFE	2
5	Cap	CF8M	2
6	Spring Washer	SS316	4(12)
7	Nut	SS304	4(12)
8	Bolt	SS304	4(6)
9	Stem	SS304	1
10	Thrust Washer	PTFE	1
11	Stem Packing	PTFE	1
12	Gland Nut	SS304	1
13	Handle	SS304	1
14	Spring washer	SS304	1
15	Nut	SS304	1
16	Lock Device	SS304	1
17	Handle Cover	Plastic	1



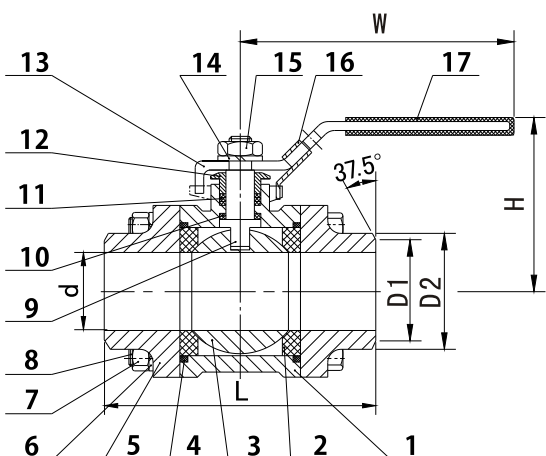
## MV-31(S)

### 3-pc Socket Weld Ball Valve

- Investment casting for body and cap
  - Full bore
  - Pressure rating : 1000 PSI (PN63)
  - Working temperature: -25°C +180°C
  - Material: CF8M, CF8, CF3M, WCB
- 
- 精密铸造三片式承插焊球阀 ( 口径 )
  - 公称压力: 1000 PSI(PN63)
  - 工作温度: -25°C +180°C
  - 材 料: CF8M, CF8, CF3M, WCB

### DIMENSION LIST

SIZE	d	D	L	H	W	P	N · m	Kgs
1/4"	11	14.1	43	51	105	10	4	0.34
3/8"	12.5	17.1	43	51	105	10	4	0.33
1/2"	15	21.7	54	53	118	10	5	0.35
3/4"	20	27.1	73	60	118	14	8	0.75
1"	25	33.8	79	75	150	14	10	1.11
1-1/4"	32	42.5	90	80	150	15	14	1.61
1-1/2"	40	48.6	102	88	182	15	18	2.55
2"	50	61.1	118	95	182	19	25	3.22
2-1/2"	65	73.8	152	121	254	21	48	6.40
3"	80	89.8	180	135	254	24	75	10.85
4"	100	115.2	218	158	285	24	110	19.05



## MV-31(B)

### 3-pc Butt-Weld Ball Valve

- Investment casting for body and cap
  - Full bore
  - Pressure rating : 1000 PSI (PN63)
  - Working temperature: -25°C +180°C
  - Material: CF8M, CF8, CF3M, WCB
- 
- 精密铸造三片式对焊球阀 ( 口径 )
  - 公称压力: 1000 PSI(PN63)
  - 工作温度: -25°C +180°C
  - 材 料: CF8M, CF8, CF3M, WCB

### DIMENSION LIST

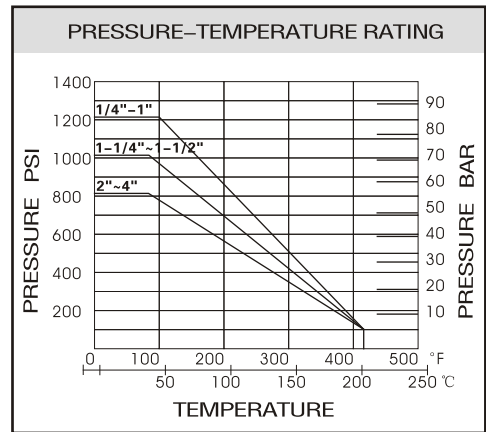
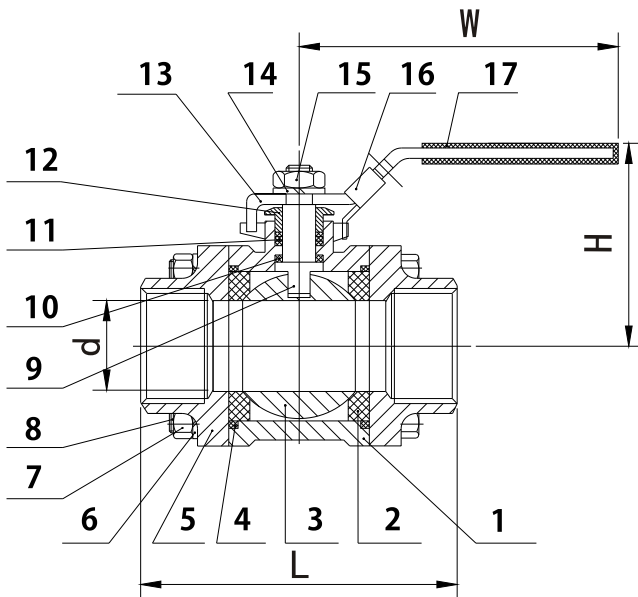
SIZE	d	L	D1	D2	H	W	N · m	Kgs
1/4"	11	43	13	18.1	51	105	4	0.34
3/8"	12.5	13	13	18.1	51	105	4	0.35
1/2"	15	54	17	21.7	53	118	5	0.39
3/4"	20	73	22	27.2	60	118	8	0.71
1"	25	79	28	34	75	150	10	1.14
1-1/4"	32	90	35	42.7	80	150	14	1.58
1-1/2"	40	102	43	48.6	88	182	18	2.44
2"	50	118	54	60.5	95	182	25	3.10
2-1/2"	65	152	70	76	121	254	48	6.30
3"	80	120	85	93	135	254	75	10.65
4"	100	216.5	105	116	158	285	110	18.80



# MV-33

## 3-pc Ball Valve

- Investment casting for body and cap
  - Full bore
  - Threaded ends: ANSI B2.1, BS 21, DIN 259/2999
  - Length: DIN3202-M3
  - Pressure rating : 1000 PSI (PN63)
  - Working temperature: -25°C +180°C
  - Material: CF8M, CF8, CF3M, WCB
- 
- 精密铸造德标三片式球阀（通径）
  - 螺纹标准：ANSI B2.1, BS 21, DIN 259/2999
  - 阀门长度：DIN3202-M3
  - 公称压力：1000 PSI(PN63)
  - 工作温度：-25°C +180°C
  - 材 料：CF8M, CF8, CF3M, WCB



BALL VALVE

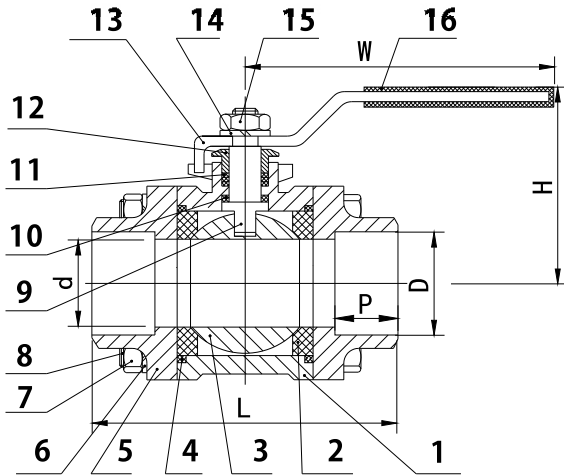
14

### DIMENSION LIST

SIZE	D	L	H	W	N • m	Kgs
1/4"	11	50	51	105	4	0.40
3/8"	12.5	60	51	105	4	0.42
1/2"	15	75	53	118	5	0.45
3/4"	20	80	60	118	8	0.73
1"	25	90	75	150	10	1.04
1-1/4"	32	110	80	150	14	1.65
1-1/2"	40	120	88	182	18	2.25
2"	50	140	95	182	25	3.15
2-1/2"	65	185	121	254	48	6.50
3"	80	205	135	254	75	9.60
4"	100	240	158	285	110	16.40

### MATERIAL LIST

ITEM	PART	MATERIAL	QTY
1	Body	CF8M	1
2	Ball Seat	R-PTFE (15%)	2
3	Ball	SS316	1
4	Body Gasket	PTFE	2
5	Cap	CF8M	2
6	Spring Washer	SS304	4(12)
7	Nut	SS304	4(12)
8	Bolt	SS304	4(6)
9	Stem	SS316	1
10	Thrust Washer	PTFE	1
11	Stem Packing	PTFE	1
12	Gland Nut	SS304	1
13	Handle	SS304	1
14	Spring Washer	SS304	1
15	Nut	SS304	1
16	Lock Device	SS304	1
17	Handle Cover	Plastic	1



## MV-33(S)

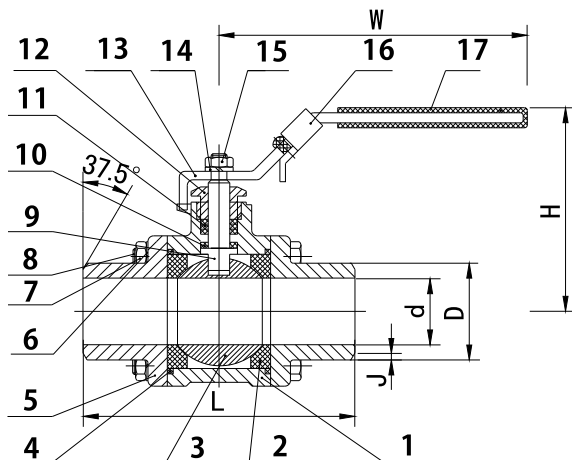
### 3-pc Socket Weld Ball Valve

- Investment casting for body and cap
- Full bore
- Length: DIN3202-M3
- Pressure rating: 1000 PSI (PN63)
- Working temperature: -25°C +180°C
- Material: CF8M, CF8, CF3M, WCB

- 精密铸造三片式承插焊球阀 ( 口径 )
- 长度标准: DIN3202-M3
- 公称压力: 1000 PSI(PN63)
- 工作温度: -25°C +180°C
- 材 料: CF8M, CF8, CF3M, WCB

#### DIMENSION LIST

SIZE	d	D	P	L	H	W	N · m	Kgs
1/4"	11	14	10	50	51	105	4	0.38
3/8"	12.5	17.6	10	60	51	105	4	0.40
1/2"	15	21.7	10	75	53	118	5	0.41
3/4"	20	27.3	13	80	60	118	8	0.71
1"	25	34.1	13	90	75	150	10	0.95
1-1/4"	32	42.8	13	110	80	150	14	1.64
1-1/2"	40	48.7	13	120	88	182	18	2.36
2"	50	61	16	140	95	182	25	3.42
2-1/2"	65	77	16	185	121	54	48	6.88
3"	80	90	16	205	135	254	75	11.50
4"	100	115.2	20	240	158	285	110	19.90



## MV-33(B)

### 3-pc Butt-Weld Ball Valve

- Investment casting for body and cap
- Full bore
- Length: DIN3202-S13
- Pressure rating: 1000 PSI (PN63)
- Working temperature: -25°C +180°C
- Material: CF8M, CF8, CF3M, WCB

- 精密铸造三片式对焊球阀 ( 口径 )
- 长度标准: DIN3202-S13
- 公称压力: 1000 PSI(PN63)
- 工作温度: -25°C +180°C
- 材 料: CF8M, CF8, CF3M, WCB

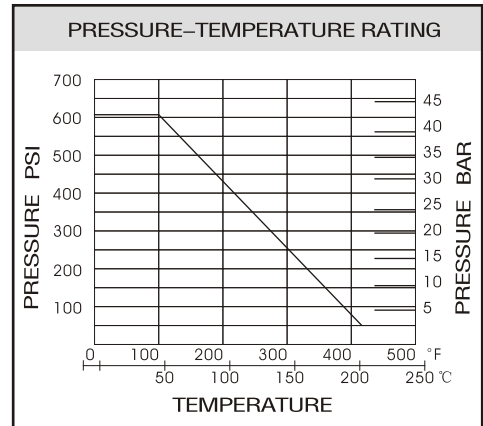
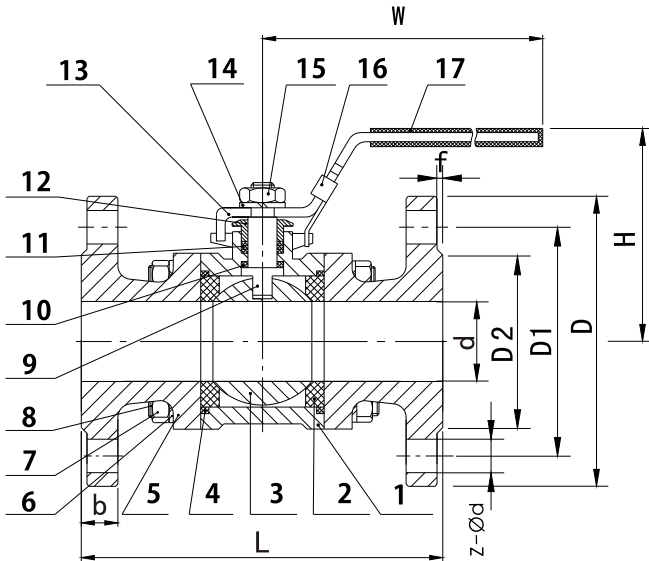
#### DIMENSION LIST

SIZE	d	D	J	L	H	W	N · m	Kgs
1/4"	11	18.1	1.10	70	51	105	4	0.39
3/8"	12.5	18.1	1.10	70	51	105	4	0.40
1/2"	15	21.7	1.75	75	53	118	5	0.41
3/4"	20	27.2	2.00	90	60	118	8	0.69
1"	25	34	2.50	100	75	150	10	0.93
1-1/4"	32	42.7	8.75	110	80	150	14	1.62
1-1/2"	40	48.6	3.00	125	88	182	18	2.33
2"	50	60.5	3.25	150	95	182	25	3.26
2-1/2"	65	76	3.50	190	121	154	48	6.81
3"	80	93	4.00	220	135	254	75	11.40
4"	100	116	5.50	270	158	285	110	19.70

### MV-34

#### 3-pc Flange Ball Valve

- Investment casting for body and cap
  - Full bore
  - Flanged ends: DIN2545
  - Face to face: DIN3202-F1
  - Pressure rating : PN40
  - Working temperature: -25°C +180°C
  - Material: CF8M, CF8, CF3M, WCB
- 
- 精密铸造三片式法兰球阀（通径）
  - 法兰标准：DIN2545
  - 结构长度：DIN3202-F1
  - 公称压力：PN40
  - 工作温度：-25°C +180°C
  - 材 料：CF8M, CF8, CF3M, WCB



#### DIMENSION LIST

SIZE	d	D	D1	D2	L	H	W	z-ød	b	f	N • m	Kgs
1/2"	15	95	65	45	130	84	146	4-ø14	16	2	5	1.90
3/4"	20	105	75	58	150	87	146	4-ø14	18	2	8	2.84
1"	25	115	85	68	160	93	153	4-ø14	18	2	10	3.54
1-1/4"	32	140	100	78	180	99	153	4-ø18	18	2	14	5.22
1-1/2"	40	150	110	88	200	114	217	4-ø18	18	3	18	6.56
2"	50	165	125	102	230	122	217	4-ø18	20	3	25	8.85
2-1/2"	65	185	145	122	290	150	251	8-ø18	22	3	48	15.20
3"	80	200	160	138	310	161	251	8-ø18	24	3	75	19.40
4"	100	235	190	162	350	180	291	8-ø22	24	3	110	26.60

#### MATERIAL LIST

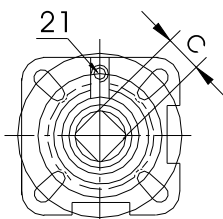
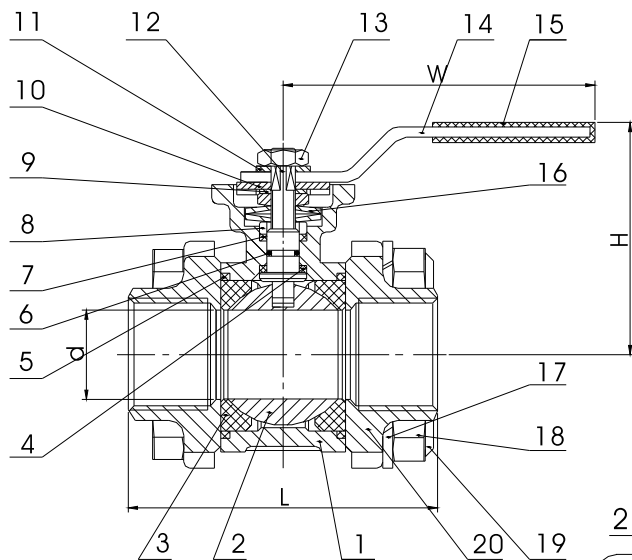
ITEM	PART	MATERIAL	QTY
1	Body	CF8M	1
2	Ball Seat	R-PTFE (15%)	2
3	Ball	SS316	1
4	Body Gasket	PTFE	2
5	Cap	CF8M	2
6	Spring Washer	SS304	8(12)
7	Nut	SS304	8(12)
8	Bolt	SS304	4(6)
9	Stem	SS316	1
10	Thrust Washer	PTFE	1
11	Stem Packing	PTFE	1
12	Gland Nut	SS304	1
13	Handle	SS304	1
14	Spring Washer	SS304	1
15	Nut	SS304	1
16	Lock Device	SS304	1
17	Handle Cover	Plastic	1



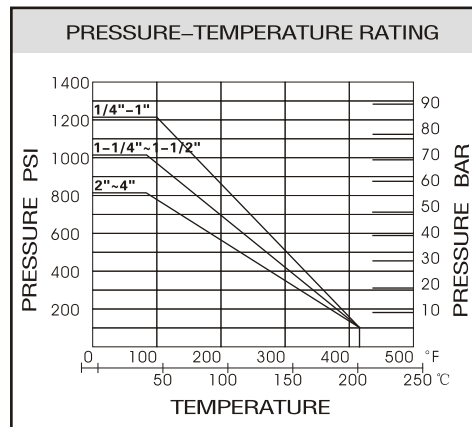
# MV-81

## 3-pc Ball Valve with Mounting Pad

- Investment casting for body and cap
  - Full bore
  - Thread: ANSI B2.1, BS 21, DIN 259/2999
  - Mounting pad: ISO5211
  - Pressure rating: 1000 PSI (PN63)
  - Working temperature: -25°C +180°C
  - Material: CF8M, CF8, CF3M, WCB
- 
- 三片式螺纹球阀（通径, 带驱动盘）
  - 螺纹标准: ANSI B2. 1, BS 21, DIN 259/2999
  - 驱动盘: ISO5211
  - 公称压力: 1000 PSI(PN63)
  - 工作温度: -25°C +180°C
  - 材 料: CF8M, CF8, CF3M, WCB



ISO5211



### DIMENSION LIST

SIZE	d	L	H	W	C	ISO5211	N • m	Kgs
1/4"	11	47	59	120	9	F03	4	0.41
3/8"	12.5	47	59	120	9	F03	4	0.40
1/2"	15	54	63	120	9	F03	5	0.45
3/4"	20	73	70	140	11	F04/F05	8	0.86
1"	25	79	74	140	11	F04/F05	10	0.86
1-1/4"	32	90	88	204	14	F05/F07	14	1.88
1-1/2"	40	102	94	204	14	F05/F07	18	2.78
2"	50	118	102	204	14	F05/F07	25	3.56
2-1/2"	65	149	140	255	17	F07/F10	48	7.20
3"	80	180	153	255	17	F07/F10	75	12.10
4"	100	223	166	302	17	F07/F10	110	19.90

### MATERIAL LIST

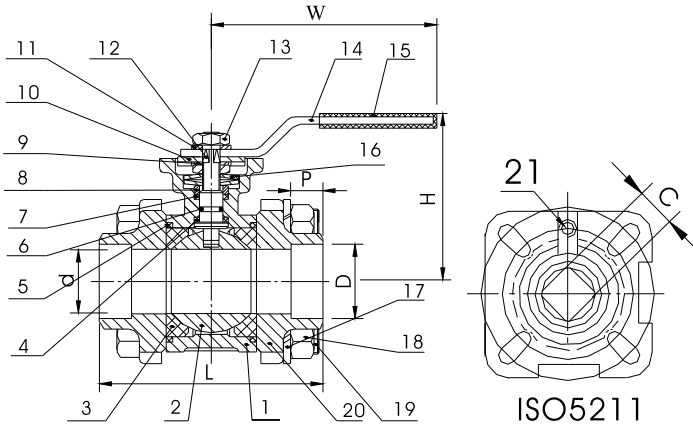
ITEM	PART	MATERIAL	QTY
1	Body	CF8M	1
2	Ball	SS316	1
3	Ball Seat	R-PTFE (15%)	2
4	Thrust Washer	PTFE	1
5	Body Gasket	PTFE	2
6	O-ring	VITON	1
7	Stem Packing	PTFE	1
8	Gland	SS304	1
9	Tab Washer	SS304	1
10	Stopper	SS304	1
11	Spring Washer	SS304	1
12	Stem	SS316	1
13	Nut	SS304	2
14	Handle	SS304	1
15	Handle Cover	Plastic	1
16	Belleville Washer	SS301	2
17	Spring Washer	SS304	4 (12)
18	Nut	SS304	4 (12)
19	Bolt	SS304	4 (6)
20	Cap	CF8M	2
21	Stop Pin	SS304	1



## MV-81(S)

### 3-pc Socket Weld Ball Valve with Mounting Pad

- 精密铸造三片式承插焊球阀（口径、带驱动盘）



#### DIMENSION LIST

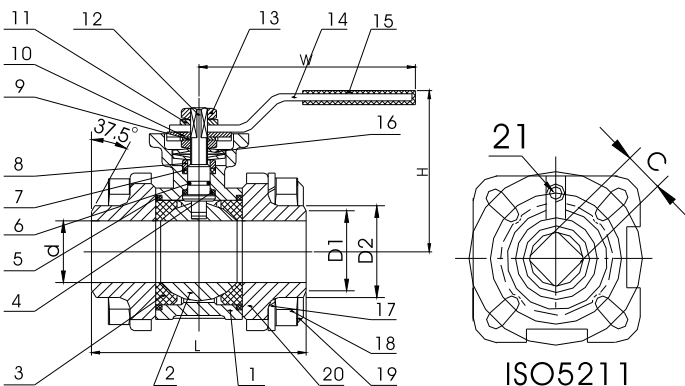
SIZE	d	L	H	W	D	P	C	ISO5211	N • m	Kgs
1/4"	11	43	59	120	14.1	10	9	F03	4	0.40
3/8"	12.5	43	59	120	17.1	10	9	F03	4	0.39
1/2"	15	54	63	120	21.7	10	9	F03	5	0.41
3/4"	20	73	70	140	27.1	14	11	F04/F05	8	0.88
1"	25	80	74	140	33.8	14	11	F04/F05	10	1.23
1-1/4"	32	90	88	204	42.5	15	14	F05/F07	14	1.89
1-1/2"	40	102	94	204	48.6	15	14	F05/F07	18	2.81
2"	50	118	102	204	61.1	19	14	F05/F07	25	3.46
2-1/2"	65	152	140	255	73.8	21	17	F07/F10	48	7.10
3"	80	180	153	255	89.8	24	17	F07/F10	75	11.95
4"	100	218	166	302	115.2	24	17	F07/F10	110	19.75



## MV-81(B)

### 3-pc Butt-Weld Ball Valve with Mounting Pad

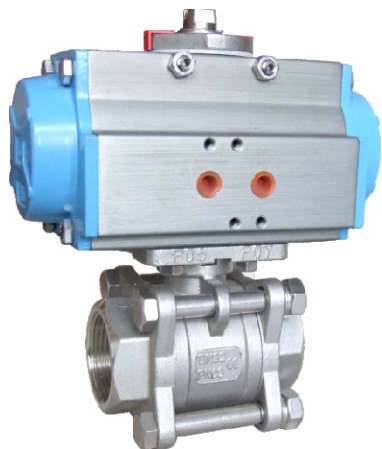
- 精密铸造三片式对焊球阀（口径、带驱动盘）



#### DIMENSION LIST

SIZE	d	L	H	W	D1	D2	C	ISO5211	N • m	Kgs
1/4"	11	43	59	120	13	18.1	9	F03	4	0.40
3/8"	12.5	43	59	120	13	18.1	9	F03	4	0.41
1/2"	15	54	63	120	17	21.7	9	F03	5	0.45
3/4"	20	72.5	70	140	22	27.2	11	F04/F05	8	0.84
1"	25	79.5	74	140	28	34	11	F04/F05	10	1.26
1-1/4"	32	90	88	204	35	42.7	14	F05/F07	14	1.86
1-1/2"	40	102	94	204	43	48.6	14	F05/F07	18	2.70
2"	50	118	102	204	54	60.5	14	F05/F07	25	3.34
2-1/2"	65	152	140	255	70	76	17	F07/F10	48	7.00
3"	80	180	153	255	85	93	17	F07/F10	75	11.75
4"	100	217	166	302	105	116	17	F07/F10	110	19.05

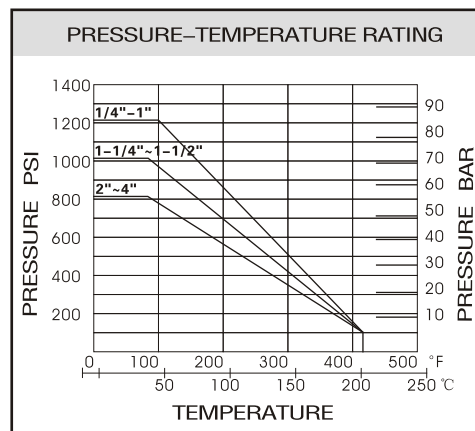
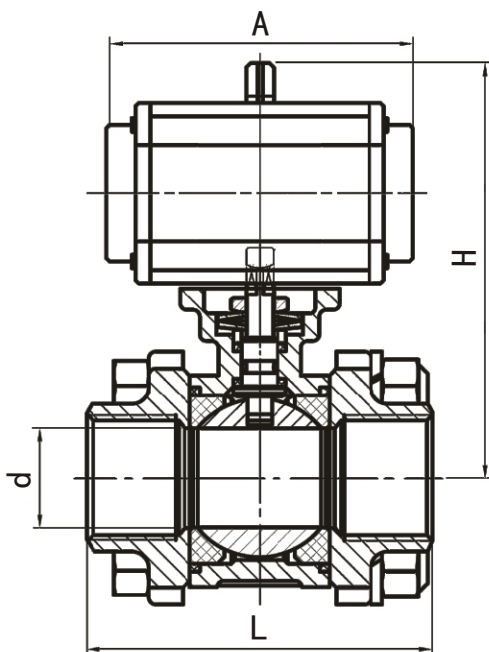




## MV-81(DA)

### 3-pc Ball Valve with Pneumatic Actuator

- Investment casting for body and cap of valve
  - Full bore
  - Valve Pressure : 1000 PSI (PN63)
  - Working temperature: -25°C +180°C
  - Double action pneumatic actuator
- 
- 三片式气动球阀（通径）
  - 阀门公称压力：1000 PSI(PN63)
  - 工作温度：-25°C +180°C
  - 双作用气动执行器

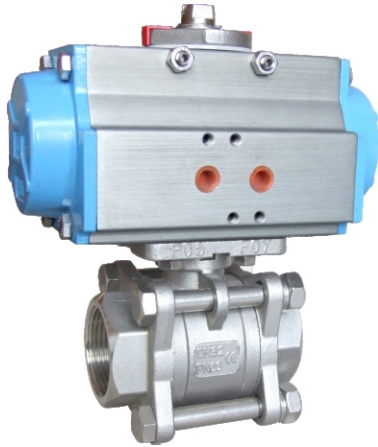


### TECHNICAL DATA 技术数据

SIZE	ISO5211	Actuator	Working Time (sec)		Air Used (litre)	
			CCW	CW	CCW	CW
1/4"	F03	DA32	0.03	0.03	0.04	0.03
3/8"	F03	DA32	0.03	0.03	0.04	0.03
1/2"	F03	DA32	0.03	0.03	0.04	0.03
3/4"	F04/F05	DA52	0.03	0.04	0.10	0.13
1"	F04/F05	DA52	0.03	0.04	0.10	0.13
1-1/4"	F05/F07	DA63	0.06	0.08	0.19	0.23
1-1/2"	F05/F07	DA63	0.06	0.08	0.19	0.23
2"	F05/F07	DA75	0.12	0.12	0.36	0.44
2-1/2"	F07/F10	DA85	0.20	0.19	0.51	0.64
3"	F07/F10	DA100	0.30	0.27	0.79	1.00
4"	F07/F10	DA125	0.83	0.66	1.63	2.21

### DIMENSION 尺寸表

SIZE	d	L	H	A	Kgs
1/4"	11	47	102	110	0.76
3/8"	12.5	47	102	110	0.76
1/2"	15	54	103	110	0.90
3/4"	20	73	132	140	1.72
1"	25	79	134	140	1.92
1-1/4"	32	90	155	162	3.19
1-1/2"	40	102	160	162	3.88
2"	50	118	184	207	5.82
2-1/2"	65	149	230	238	11.9
3"	80	180	254	272	17.4
4"	100	223	310	366	29.2

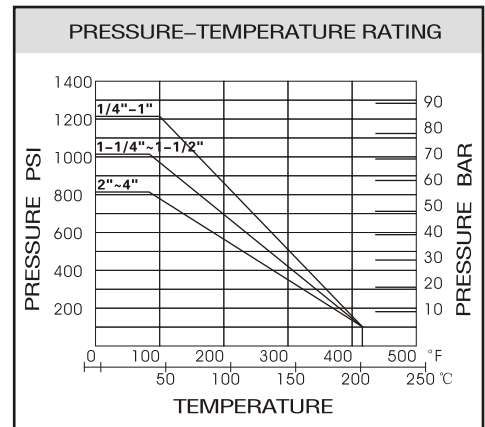
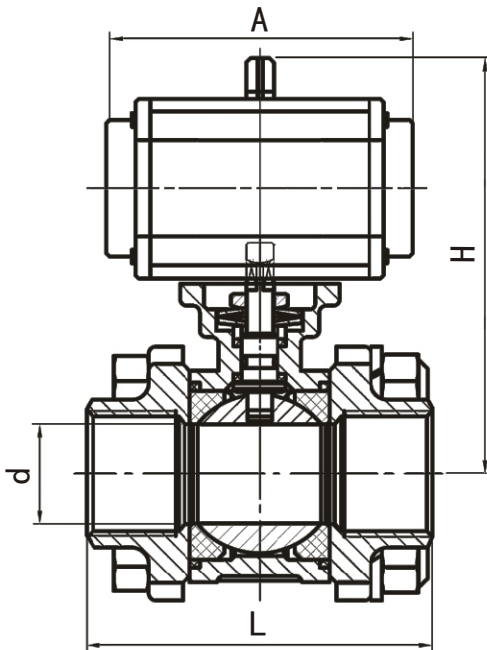


## MV-81(SR)

### 3-pc Ball Valve with Pneumatic Actuator

- Investment casting for body and cap of valve
- Full bore
- Valve Pressure :1000 PSI (PN63)
- Working temperature: -25°C +180°C
- Spring return pneumatic actuator

- 三片式气动球阀（通径）
- 阀门公称压力：1000 PSI (PN63)
- 工作温度：-25°C +180°C
- 单作用气动执行器



### TECHNICAL DATA 技术数据

SIZE	ISO5211	Actuator	Working Time (sec)		Air Used (litre)
			CCW	CW	
1/4"	F03	SR32	0.06	0.06	0.08
3/8"	F03	SR32	0.06	0.06	0.08
1/2"	F03	SR32	0.06	0.06	0.08
3/4"	F04/F05	SR52	0.09	0.09	0.11
1"	F04/F05	SR52	0.09	0.09	0.11
1-1/4"	F05/F07	SR63	0.14	0.14	0.19
1-1/2"	F05/F07	SR63	0.14	0.14	0.19
2"	F05/F07	SR75	0.22	0.22	0.36
2-1/2"	F07/F10	SR85	0.31	0.33	0.53
3"	F07/F10	SR100	0.44	0.46	0.80
4"	F07/F10	SR125	1.08	0.90	1.78

### DIMENSION 尺寸表

SIZE	d	L	H	A	Kgs
1/4"	11	47	102	110	0.90
3/8"	12.5	47	102	110	0.90
1/2"	15	54	103	110	1.05
3/4"	20	73	132	140	1.90
1"	25	78.5	134	140	2.07
1-1/4"	32	90	155	162	3.50
1-1/2"	40	102	160	162	4.20
2"	50	118	184	207	6.50
2-1/2"	65	149	230	238	12.9
3"	80	180	254	272	18.9
4"	100	222.5	310	366	32.6



# MV-82

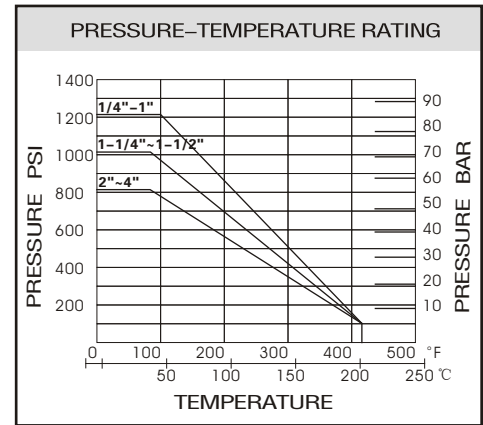
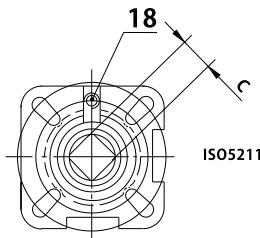
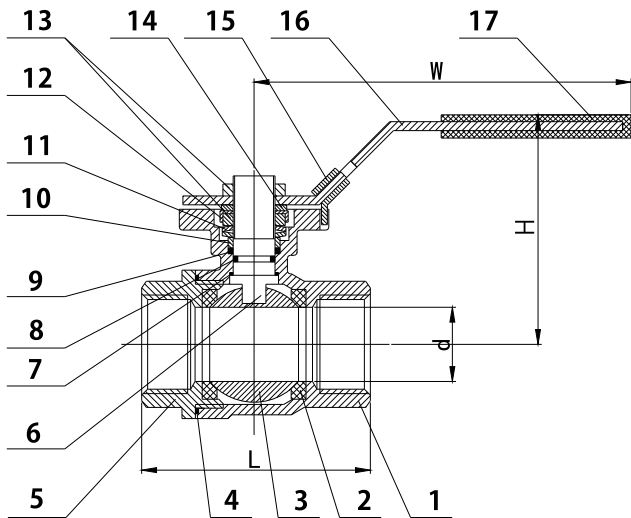
## 2-PC Ball Valve With Mounting Pad

- Investment castings for body and cap
- Threaded ends: ANSI B2.1, BS21, DIN 259/2999
- Mounting pad: ISO5211
- Pressure rating: 1000PSI(PN63)
- Working temperature: -25°C +180°C
- Material: CF8M, CF8, CF3M, WCB

- 精密铸造二片式球阀（口径、带驱动盘）
- 螺丝标准：ANSI B2.1, BS21, DIN 259/2999
- 驱动盘标准：ISO5211
- 公称压力：1000PSI (PN63)
- 工作温度：-25°C+180°C
- 材 质：CF8M, CF8, CF3M, WCB

BALL VALVE

21



### DIMENSION LIST

SIZE	d	L	H	W	C	ISO5211	N • m	Kgs
1/2"	15	57	63	120	9	F03/F04	5	0.38
3/4"	20	64	70	120	9	F03/F04	8	0.51
1"	25	77	74	140	11	F04/F05	10	0.87
1-1/4"	32	90	88	149	11	F04/F05	14	1.26
1-1/2"	40	105	94	200	14	F05/F07	18	2.25
2"	50	127	102	200	14	F05/F07	25	3.05
2-1/2"	65	154	140	255	17	F07/F10	48	5.45
3"	76	173	153	255	17	F07/F10	75	8.20

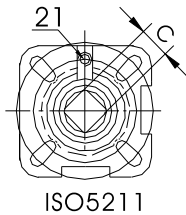
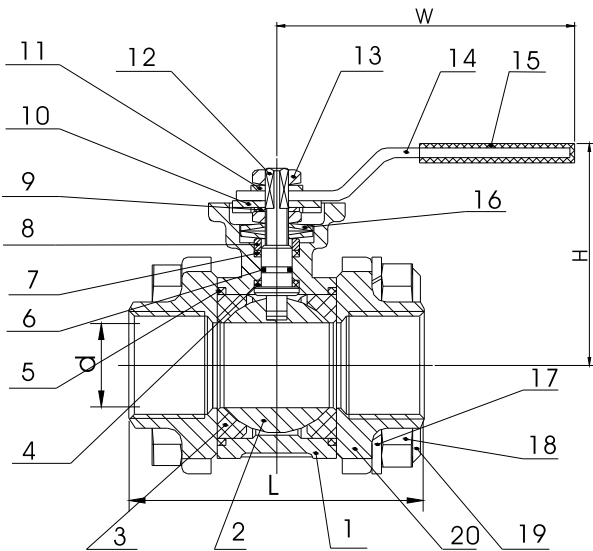
### MATERIAL LIST

ITEM	PART	MATERIAL	QTY
1	Body	CF8M	1
2	Ball Seat	R-PTFE (15%)	2
3	Ball	SS316	1
4	Body Gasket	PTFE	1
5	Cap	CF8M	1
6	Stem	SS316	1
7	Thrust Washer	PTFE	1
8	O-Ring	VITON	1
9	Stem Packing	PTFE	1
10	Packing Ring	SS304	1
11	Belleville Washer	SS301	2
12	Nut Stopper	SS304	1
13	Nut	SS304	2
14	Plate Washer	SS304	1
15	Lock Device	SS304	1
16	Handle	SS304	1
17	Plastic Cover	Plastic	1
18	Stop Pin	SS304	1

# MV-83

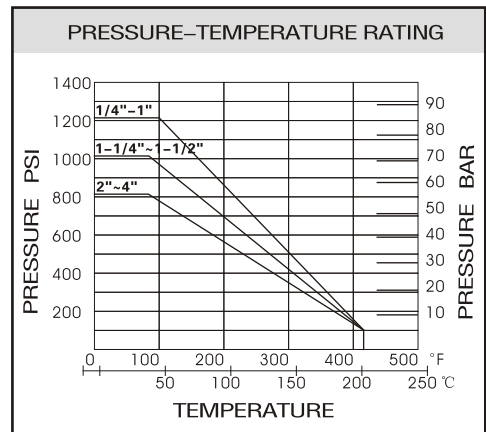
## 3-pc Ball Valve with Mounting Pad

- Investment casting for body and cap
  - Full bore
  - Thread: ANSI B2.1, BS 21, DIN 259/2999
  - Mounting pad: ISO5211
  - Length: DIN3202-M3
  - Pressure rating: 1000 PSI (PN63)
  - Working temperature: -25°C +180°C
  - Material: CF8M, CF8, CF3M, WCB
- 
- 德标三片式螺纹球阀（通径, 带驱动盘）
  - 螺纹标准: ANSI B2. 1, BS 21, DIN 259/2999
  - 驱动盘标准: ISO5211
  - 长度标准: DIN3202-M3
  - 公称压力: 1000 PSI(PN63)
  - 工作温度: -25°C +180°C
  - 材 料: CF8M, CF8, CF3M, WCB



### DIMENSION LIST

SIZE	d	L	H	C	W	ISO5211	N • m	Kgs
1/4"	11	50	59	9	120	F03	4	0.46
3/8"	12.5	60	59	9	120	F03	4	0.48
1/2"	15	75	63	9	120	F03	5	0.51
3/4"	20	80	70	11	140	F04/F05	8	0.89
1"	25	90	74	11	140	F04/F05	10	1.27
1-1/4"	32	110	88	14	204	F05/F07	14	2.04
1-1/2"	40	120	94	14	204	F05/F07	18	3.00
2"	50	140	102	14	204	F05/F07	25	3.80
2-1/2"	65	185	140	17	255	F07/F10	48	7.80
3"	80	205	153	17	255	F07/F10	75	12.40
4"	100	240	166	17	302	F07/F10	110	20.80



### MATERIAL LIST

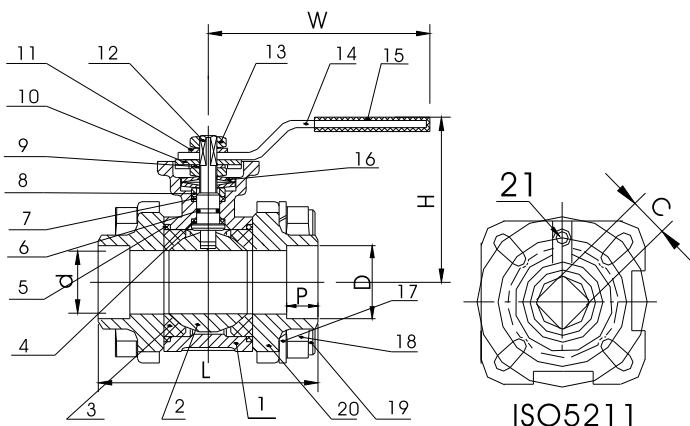
ITEM	PART	MATERIAL	QTY
1	Body	CF8M	1
2	Ball	SS316	1
3	Ball Seat	R-PTFE (15%)	2
4	Thrust Washer	PTFE	1
5	Body Gasket	PTFE	2
6	O-ring	VITON	1
7	Stem Packing	PTFE	1
8	Gland	SS304	1
9	Tab Washer	SS304	1
10	Stopper	SS304	1
11	Spring Washer	SS304	1
12	Stem	SS316	1
13	Nut	SS304	2
14	Handle	SS304	1
15	Handle Cover	Plastic	1
16	Belleville Washer	SS301	2
17	Spring Washer	SS304	4 (12)
18	Nut	SS304	4 (12)
19	Bolt	SS304	4 (6)
20	Cap	CF8M	2



### MV-83(S)

#### 3-pc Scket Weld Ball Valve with Mounting Pad

- Length: DIN3202-M3
- 精密铸造德标三片式承插焊球阀 ( 通过、带驱动盘 )



#### DIMENSION LIST

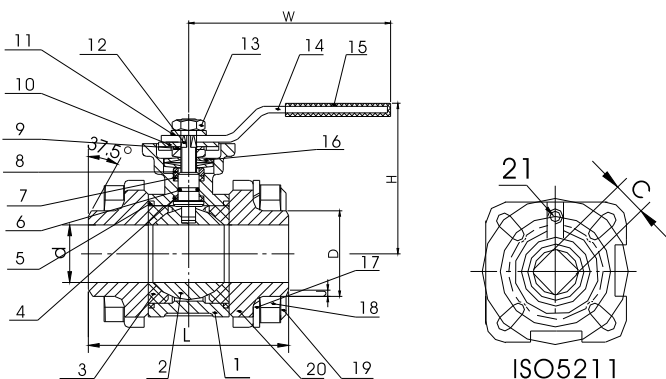
SIZE	d	D	P	L	H	C	W	ISO5211	N • m	Kgs
1/4"	11	14	10	50	59	9	120	F03	4	0.44
3/8"	12.5	17.6	10	60	59	9	120	F03	4	0.47
1/2"	15	21.7	10	75	63	9	120	F03	5	0.48
3/4"	20	27.3	13	80	70	11	140	F04/F05	8	0.87
1"	25	34.1	13	90	74	11	140	F04/F05	10	1.18
1-1/4"	32	42.8	13	110	88	14	204	F05/F07	14	2.03
1-1/2"	40	48.7	13	120	94	14	204	F05/F07	18	2.93
2"	50	61	16	140	102	14	204	F05/F07	25	3.70
2-1/2"	65	77	16	185	140	17	255	F07/F10	48	7.60
3"	80	90	16	205	153	17	255	F07/F10	75	12.10
4"	100	115.2	20	240	166	17	302	F07/F10	110	20.70



### MV-83(B)

#### 3-pc Butt-Weld Ball Valve with Mounting Pad

- Length: DIN3202-S13
- 精密铸造德标三片式对焊球阀 ( 通过、带驱动盘 )



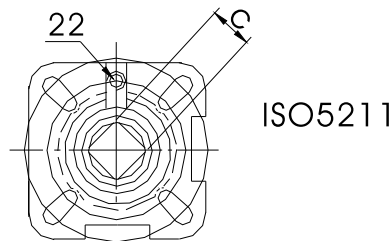
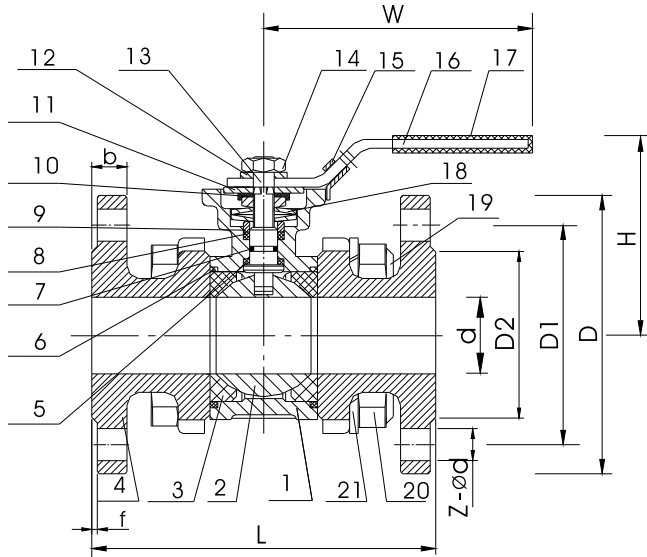
#### DIMENSION LIST

SIZE	d	L	H	W	J	D	C	ISO5211	N • m	Kgs
1/4"	11	70	59	120	1.10	18.1	9	F03	4	0.45
3/8"	12.5	70	59	120	1.10	18.1	9	F03	4	0.46
1/2"	15	75	63	120	1.75	21.7	9	F03	5	0.47
3/4"	20	90	70	140	2.00	27.2	11	F04/F05	8	0.85
1"	25	100	74	140	2.50	34	11	F04/F05	10	1.16
1-1/4"	32	110	88	204	2.75	42.7	14	F05/F07	14	2.00
1-1/2"	40	125	94	204	3.00	48.6	14	F05/F07	18	2.90
2"	50	150	102	204	3.25	60.5	14	F05/F07	25	3.54
2-1/2"	65	190	140	255	3.50	76	17	F07/F10	48	7.50
3"	80	220	153	255	4.00	93	17	F07/F10	75	12.00
4"	100	270	166	302	5.50	116	17	F07/F10	110	20.50

# MV-84

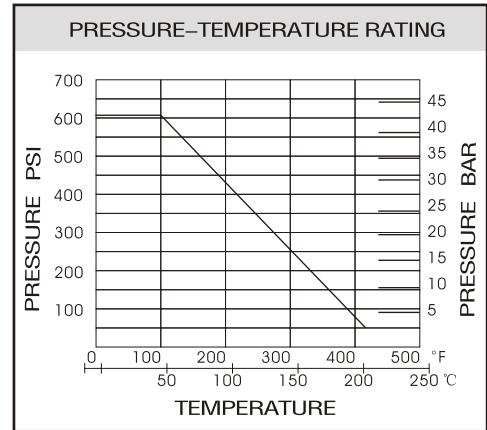
### 3-pc Flange Ball Valve with Mounting Pad

- Investment castings for body and cap
  - Flanged ends: DIN2545
  - Face to face: DIN3202-F1
  - Mounting pad: ISO5211
  - Pressure rating: PN40
  - Working temperature: -25°C +180°C
  - Material: CF8M, CF8, CF3M, WCB
- 
- 精密铸造三片式法兰球阀（带驱动盘）
  - 法兰标准：DIN2545
  - 结构长度：DIN3202-F1
  - 公称压力：PN40
  - 工作温度：-25°C +180°C
  - 材 料：CF8M, CF8, CF3M, WCB



### DIMENSION LIST

SIZE	d	D	L	H	W	C	D1	D2	b	f	Z-ød1	ISO5211	N • m	Kgs
1/2"	15	95	130	88	146	9	65	45	16	2	4-ø14	F03	5	2.00
3/4"	20	105	150	90	146	11	75	58	18	2	4-ø14	F04-F05	8	3.10
1"	25	115	160	96	153	11	85	68	18	2	4-ø14	F04-F05	10	3.70
1-1/4"	32	140	180	105	153	14	100	78	18	2	4-ø18	F05-F07	14	5.60
1-1/2"	40	150	200	120	217	14	110	88	18	3	4-ø18	F05-F07	18	6.90
2"	50	165	230	130	217	14	125	102	20	3	4-ø18	F05-F07	25	9.20
2-1/2"	65	185	290	160	251	17	145	122	22	3	8-ø18	F07-F10	48	15.60
3"	80	200	310	175	251	17	160	138	24	3	8-ø18	F07-F10	75	20.00
4"	100	235	350	200	291	17	190	162	24	3	8-ø22	F07-F10	110	27.20



### MATERIAL LIST

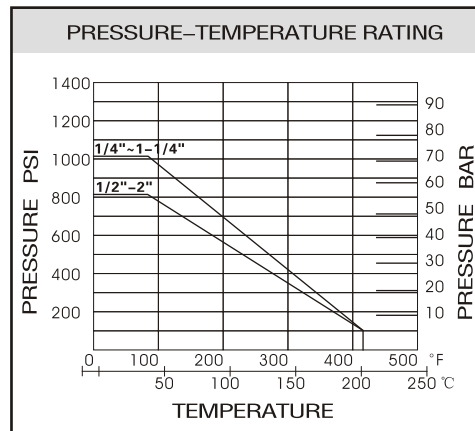
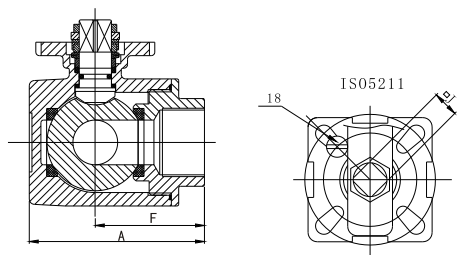
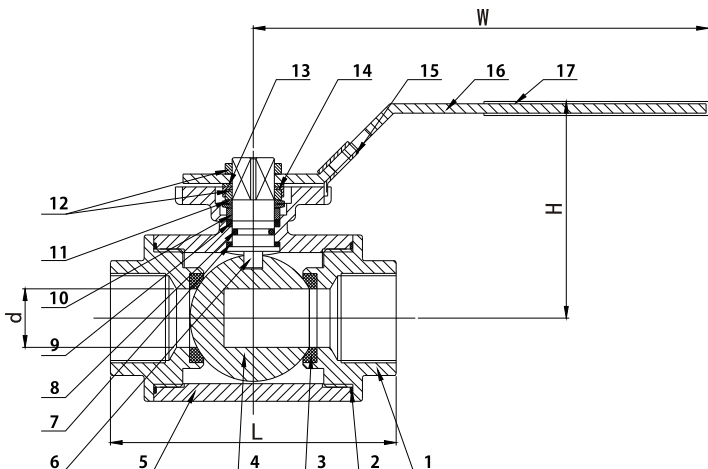
ITEM	PART	MATERIAL	QTY
1	Body	CF8M	1
2	Ball	SS316	1
3	Ball Seat	R-PTFE (15%)	2
4	Cap	CF8M	2
5	Thrut Washer	PTFE	1
6	Body Gasket	PTFE	2
7	O-ring	VITON	1
8	Stem Packing	PTFE	1
9	Gland	SS316	1
10	Stopper	SS304	1
11	Tab Washer	SS304	1
12	Spring Washer	SS304	1
13	Stem	SS316	1
14	Nur	SS304	2
15	Lock Device	SS304	1
16	Handle	SS304	1
17	Handle Cover	Plastic	1
18	Belleve Washer	SS301	2
19	Bolt	SS304	4(6)
20	Nut	SS304	8(12)
21	Spring Washer	SS304	8(12)
22	Stop Pin	SS304	1



## MV-85(L)

### 3-way Ball Valve with Mounting Pad ("L" Type)

- Investment castings for body and cap
  - Reduce bore, "L" type
  - Thread: ANSI B2.1, BS21, DIN259/2999
  - Mounting pad: ISO5211
  - Pressure rating: PN63(1000PSI)
  - Working temperature: -25°C +180°C
  - Material: CF8M, CF8, CF3M, WCB
- 
- 三通式球阀（缩径, "L"型, 带驱动盘）
  - 螺纹标准: ANSI B2.1, BS21, DIN259/2999
  - 驱动盘标准: ISO5211
  - 公称压力: PN63(1000PSI)
  - 工作温度: -25°C +180°C
  - 材质: CF8M, CF8, CF3M, WCB



### MATERIAL LIST

ITEM	PARTS	MATERIAL	QTY
1	Cap	CF8M	3
2	Gasket	PTFE	3
3	Ball Seat	PTFE	4
4	Ball	SS316	1
5	Body	CF8M	1
6	Stem	SS316	1
7	Thrust Washer	PTFE	1
8	O-Ring	VITON	1
9	Stem Packing	PTFE	1
10	Stem Ring	SS316	1
11	Belleville Washer	SS301	1
12	Nut	SS304	2
13	Plate Washer	SS304	1
14	Nut Stopper	SS304	1
15	Lock Device	SS304	1
16	Handle	SS304	1
17	Handle Sleeve	Plastic	1
18	Stop Pin	SS304	1

### DIMENSION LIST

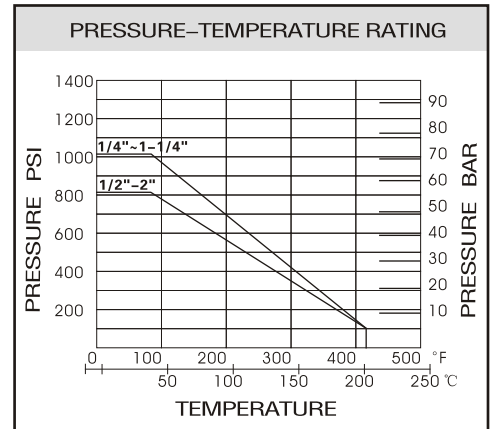
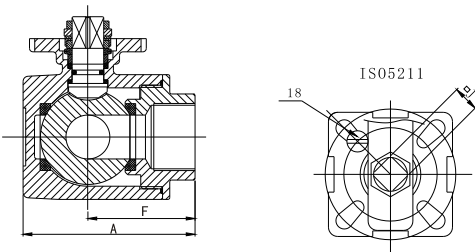
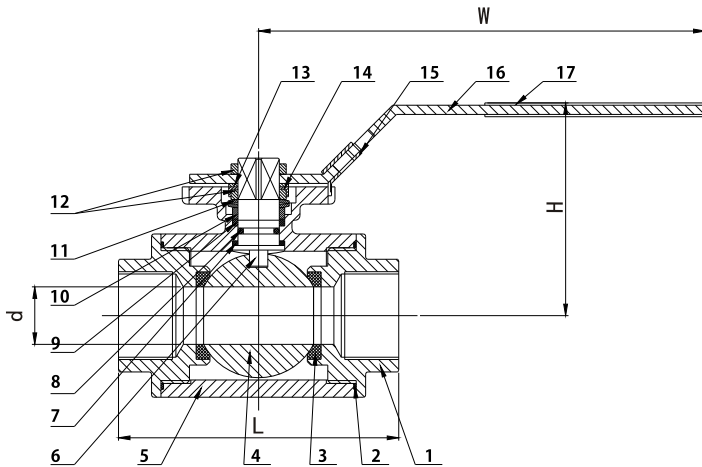
SIZE	d	L	H	W	F	A	J	ISO5211	T(Nm)	Kgs
1/4"	9.5	75	66	130	37.5	57.5	9	F03/F04	8	0.70
3/8"	11	75	66	130	37.5	57.5	9	F03/F04	8	0.67
1/2"	12	75	66	130	37.5	57.5	9	F03/F04	8	0.63
3/4"	15	85	72	161	42.5	65.5	11	F04/F05	9	0.94
1"	20	100	77	161	50	79	11	F04/F05	15	1.39
1-1/4"	25	122	92	203	61	97	14	F05/F07	20	2.91
1-1/2"	32	131	96	203	65.5	106.5	14	F05/F07	30	3.66
2"	40	158	107	203	79	129	14	F05/F07	45	6.31



# MV-85(T)

## 3-way Ball Valve with Mounting Pad ("T" Type)

- Investment castings for body and cap
  - Reduce bore. "T" type
  - Thread: ANSI B2.1, BS21, DIN259/2999
  - Mounting pad: ISO5211
  - Pressure rating: PN63(1000PSI)
  - Working temperature: -25°C +180°C
  - Material: CF8M, CF8, CF3M, WCB
- 
- 三通式球阀（缩径,"T"型,带驱动盘）
  - 螺纹标准: ANSI B2.1, BS21, DIN259/2999
  - 驱动盘标准: ISO5211
  - 公称压力: PN63(1000PSI)
  - 工作温度: -25°C +180°C
  - 材质: CF8M, CF8, CF3M, WCB



BALL VALVE

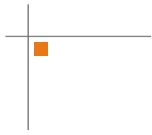
### DIMENSION LIST

SIZE	d	L	H	W	F	A	J	ISO5211	T(Nm)	Kgs
1/4"	9.5	75	66	130	37.5	57.5	9	F03/F04	8	0.70
3/8"	11	75	66	130	37.5	57.5	9	F03/F04	8	0.67
1/2"	12	75	66	130	37.5	57.5	9	F03/F04	8	0.63
3/4"	15	85	72	161	42.5	65.5	11	F04/F05	9	0.94
1"	20	100	77	161	50	79	11	F04/F05	15	1.38
1-1/4"	25	122	92	203	61	97	14	F05/F07	20	2.89
1-1/2"	32	131	96	203	65.5	106.5	14	F05/F07	30	3.60
2"	40	158	107	203	79	129	14	F05/F07	45	6.21

### MATERIAL LIST

ITEM	PARTS	MATERIAL	QTY
1	Cap	CF8M	3
2	Gasket	PTFE	3
3	Ball Seat	PTFE	4
4	Ball	SS316	1
5	Body	CF8M	1
6	Stem	SS316	1
7	Thrust Washer	PTFE	1
8	O-Ring	VITON	1
9	Stem Packing	PTFE	1
10	Stem Ring	SS316	1
11	Belleville Washer	SS301	1
12	Nut	SS304	2
13	Plate Washer	SS304	1
14	Nut Stopper	SS304	1
15	Lock Device	SS304	1
16	Handle	SS304	1
17	Handle Sleeve	Plastic	1
18	Stop Pin	SS304	1



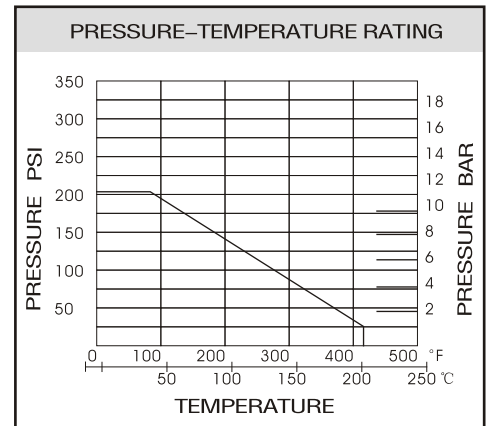
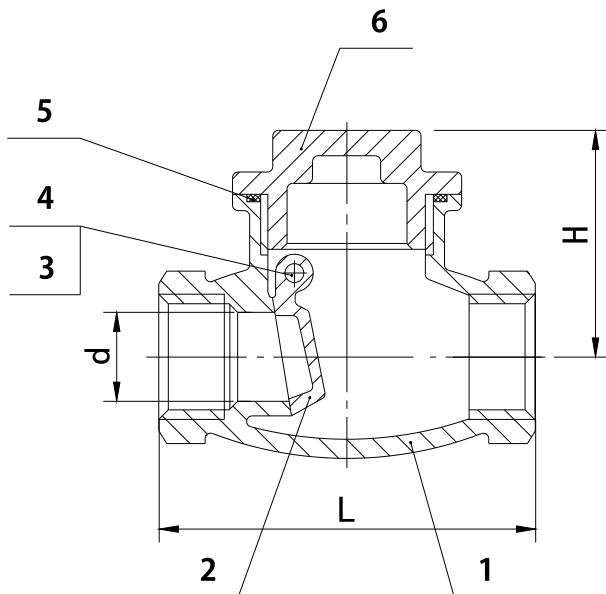


# MV-51

## Swing Disc Check Valve

- Investment casting for body, cap and disc
- Threaded ends: ANSI B2.1, BS 21, DIN 259/2999
- Pressure rating : 200 PSI (PN16)
- Working temperature : -25°C +180°C
- Material: CF8M, CF8, CF3M

- 精密铸造旋启式止回阀
- 螺纹标准: ANSI B2.1, BS 21, DIN 259/2999
- 公称压力: 200 PSI(PN16)
- 工作温度: -25°C +180°C
- 材 料: CF8M, CF8, CF3M

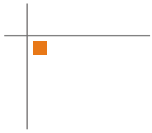


### DIMENSION LIST

SIZE	d	L	H	Kgs
1/4"	10	64	42	0.31
3/8"	12	64	42	0.30
1/2"	15	64	42	0.29
3/4"	20	78	50	0.40
1"	25	88	58	0.63
1-1/4"	32	102	62	0.93
1-1/2"	40	117	72	1.25
2"	50	136	81	1.76

### MATERIAL LIST

ITEM	PART	MATERIAL	QTY
1	Body	CF8M	1
2	Disc	CF8M	1
3	Pipe Plug	SS316	1
4	Plug Gasket	PTFE	1
5	Body Gasket	PTFE	1
6	Cap	CF8M	1

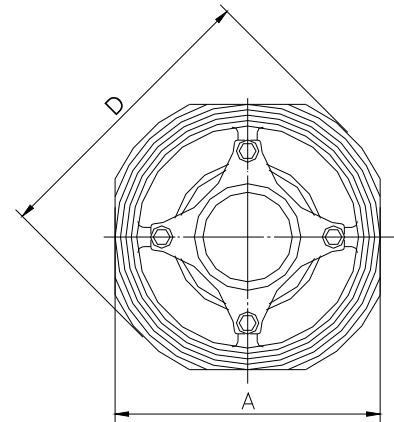
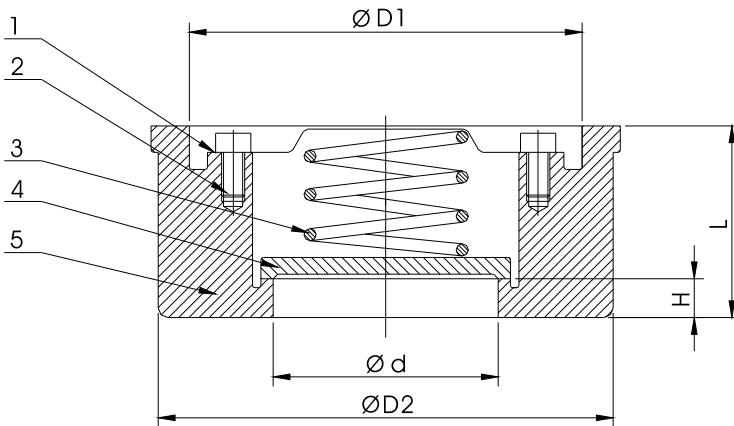


# MV-52

## Single Disc Wafer Check Valve(Spring)

- Investment casting for body and disc
- Flanged ends: DIN2543, 2544, 2545
- Face face: DIN3202-K4
- Pressure rating: PN40
- Material: CF8M, CF8, CF3M

- 精密铸造对夹止回阀
- 法兰标准: DIN2545
- 结构长度: DIN3202-K4
- 公称压力: PN40
- 材料: CF8M, CF8, CF3M

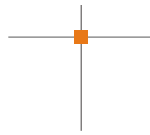


### DIMENSION LIST

SIZE	d	D	D1	D2	A	L	H	(Kgs)
1/2"	15	53	38	43	45	16.5	4.4	0.11
3/4"	20	63	46.5	53	55	19.5	4.8	0.19
1"	25	73	55.5	63	65	22	5.4	0.30
1-1/4"	30	84	65	75	78	28	6.0	0.40
1-1/2"	38	94	75	86	88	31.5	6.6	0.60
2"	47	107	84	96	98	40	7.1	0.88
2-1/2"	62.5	126	103	115	118	46	7.8	1.26
3"	77	144	117	130	134	50	8.4	1.86
4"	96	164	137	151	154	60	9.0	3.30

### MATERIAL LIST

ITEM	PART	MATERIAL	QTY
1	Spring Cover	SS316	1
2	Screw Pin	SS316	4
3	Spring	SS316	1
4	Disc	CF8M	1
5	Body	CF8M	1



### MV-53

#### Single Disc Wafer Check Valve

- Investment castings for body and disc
- Flanged ends: DIN2543, 2544, 2545
- Face to face: DIN3202-K4
- Pressure rating: PN40
- Material: CF8M, CF8, CF3M
  
- 精密铸造对夹式止回阀(弹簧式)
- 法兰标准: DIN2543, 2544, 2545
- 结构长度: DIN3202-K4
- 压力等级: PN40
- 材料: CF8M, CF8, CF3M

### MV-53(E)

#### Single Disc Wafer Check Valve

- Investment castings for body and disc
- Flanged ends: DIN PN16/25/40, ANSI 150/300Lbs
- Face to face: DIN3202-K4
- Pressure rating: PN40
- Material: CF8M, CF8, CF3M
  
- 精密铸造对夹式止回阀(弹簧式)
- 法兰标准: DIN PN16/25/40, ANSI 150/300Lbs
- 结构长度: DIN3202-K4
- 压力等级: PN40
- 材料: CF8M, CF8, CF3M

#### DIMENSION LIST

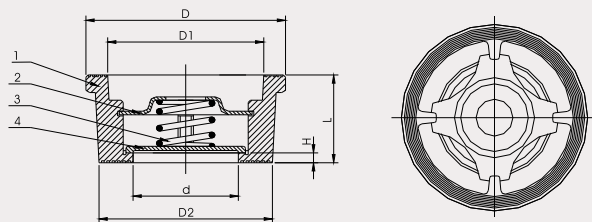
SIZE	d	D	D1	D2	L	H	(Kgs)
1/2"	15	39	28.5	32	16	3	0.09
3/4"	20	46	36.2	40	19	3	0.12
1"	25	54	43.3	46	21	3	0.16
1-1/4"	32	70	56	60	27	3.5	0.31
1-1/2"	40	83	68.5	72	31	3.5	0.43
2"	49	96	80.5	84	40	4	0.78
2-1/2"	62	115	99	103	46	5	1.03
3"	75	135	117	123	50	5	1.54
4"	85	153	135	140	60	6	2.25

#### DIMENSION LIST

SIZE	d	D	D1	D2	L	H	Kgs
1/2"	15	39	28.3	34	16	3.5	0.10
3/4"	20	46	35.7	41	19	4	0.14
1"	25	54	40	49	22	4	0.22
1-1/4"	32	70	52.4	62	28	5	0.39
1-1/2"	40	81	61	71	32	5.5	0.54
2"	48	94	75.4	85	40	6	0.77
2-1/2"	62	113	90	102	46	6.5	1.25
3"	75	132	109	123	50	7.5	1.90
4"	95	150	125.3	140	60	8.5	2.80

#### MATERIAL LIST

ITEM	PART	MATERIAL	QTY
1	Body	CF8M	1
2	Spring Cover	SS316	1
3	Spring	SS316	1
4	Disc	CF8M	1



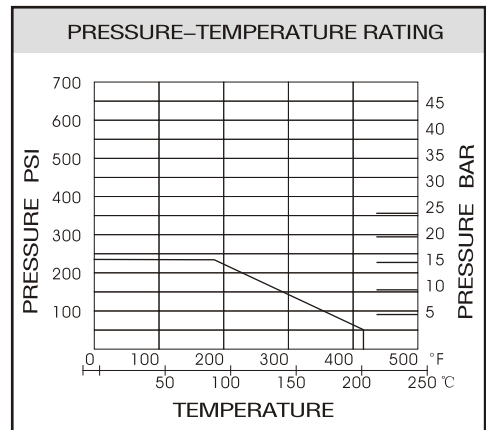
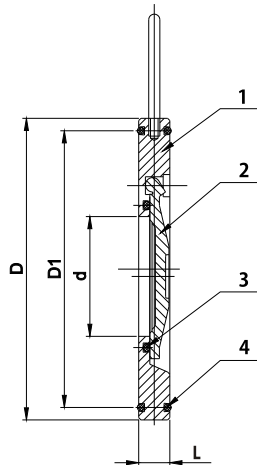
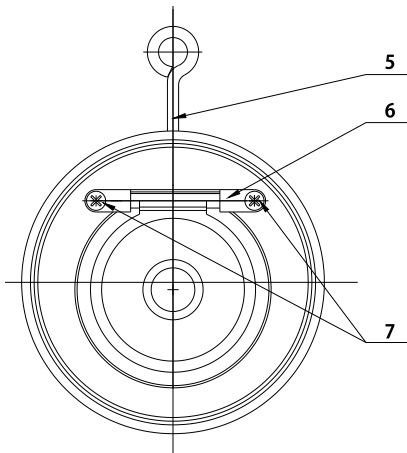


# MV-54

## Single Disc Wafer Check Valve (Swing)

- Investment castings for body and disc
- Flange ends: ANSI, DIN, JIS
- Pressure rating: PN16
- Working temperature: -25°C +180°C
- Material: CF8M, CF8, CF3M, WCB

- 对夹式止回阀（旋启式）
- 法兰标准：可用于美标、德标、日标
- 公称压力：PN16
- 工作温度：-25°C +180°C
- 材质：CF8M, CF8, CF3M, WCB

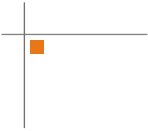


### MATERIAL LIST

ITEM	PART	MATERIAL	QTY
1	Body	CF8M	1
2	Disk	CF8M	1
3	Disk O'ring	Viton	1
4	External O'ring	Viton	2
5	Hook	Steel	1
6	Stem Stopper	SS316	2
7	Axis Screw	SS316	2

### DIMENSION LIST

SIZE	d	D	D1	L	Kgs
2"	32	105	84	14	0.85
2-1/2"	40	124	96	14	1.15
3"	54	136	117.5	14	1.34
4"	70	164	148	18	2.30
5"	92	194	166	18	3.10
6"	114	220	97	20	4.40
8"	154	275	249	22	7.10
10"	200	330	310	26	12.00

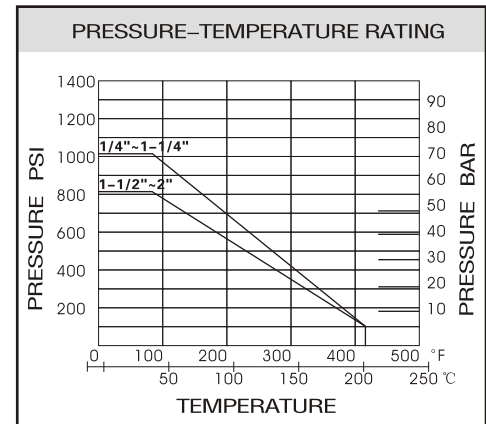
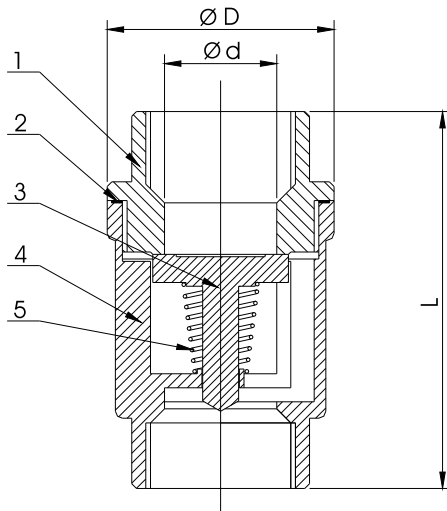


# MV-55

## Vertical Spring Check Valve

- Investment casting for body, cap and disc
- Threaded ends :ANSI B2. 1, BS21, DIN259/2999
- Pressure rating : 1000PSI (PN63)
- Working temperature : -25°C +180°C
- Material: CF8M, CF8, CF3M

- 弹簧立式止回阀
- 螺纹标准: ANSI B2. 1, BS21, DIN259/2999
- 压力等级: 1000PSI (PN63)
- 工作温度: -25°C +180°C
- 材 料: CF8M, CF8, CF3M



### DIMENSION LIST

SIZE	d	D	L	(Kgs)
1/2"	15	37	60	0.21
3/4"	20	42	69	0.31
1"	25	48	82	0.45
1-1/4"	30	60	98	0.80
1-1/2"	38	70	106	1.15
2"	47	82	120	1.55

### MATERIAL LIST

ITEM	PART	MATERIAL	QTY
1	Cap	CF8M	1
2	Body Gasket	PTFE	1
3	Disc	CF8M	1
4	Body	CF8M	1
5	Spring	SS316	1

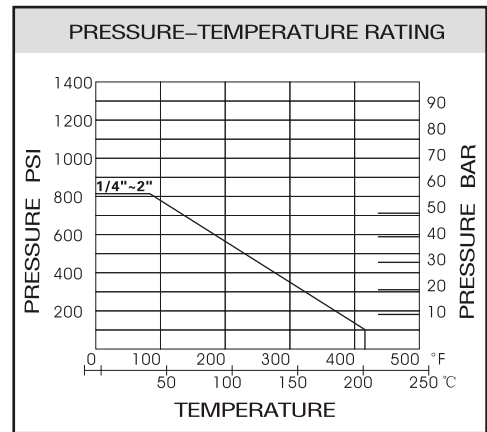
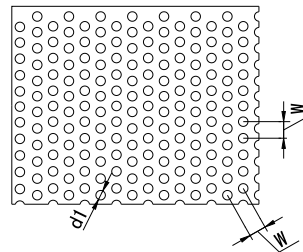
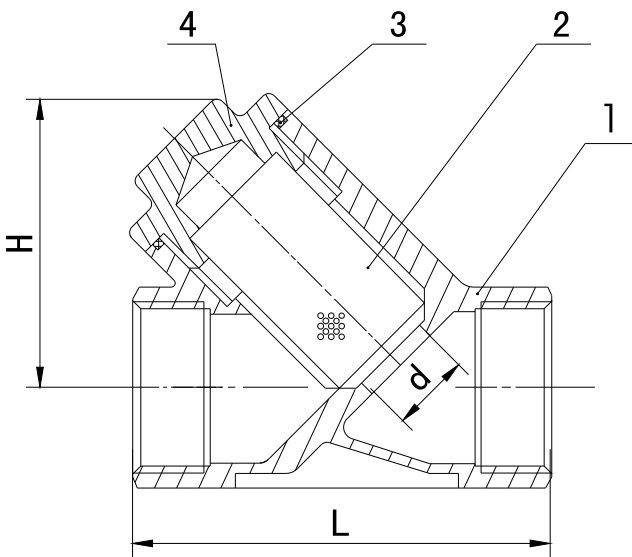


# MV-41

## Y-Strainer

- Investment casting for body and bonnet
- Threaded ends: ANSI B2.1, BS 21, DIN 259/2999
- Pressure rating: 800 PSI (PN40)
- Working temperature: -25°C +180°C
- Material: CF8M, CF8, CF3M

- 精密铸造Y型过滤器
- 螺纹标准: ANSI B2.1, BS 21, DIN 259/2999
- 公称压力: 800 PSI(PN40)
- 工作温度: -25°C +180°C
- 材 料: CF8M, CF8, CF3M



### DIMENSION LIST

SIZE	d	L	H	W	d1	Kgs
1/4"	10	64	43	2	1	0.20
3/8"	12	64	43	2	1	0.20
1/2"	15	64	45	2	1	0.21
3/4"	20	80	52	2	1	0.34
1"	25	90	68	2	1	0.59
1-1/4"	32	106	70	2	1	0.80
1-1/2"	40	119	80	2	1	1.06
2"	50	140	98	2	1	1.61

### MATERIAL LIST

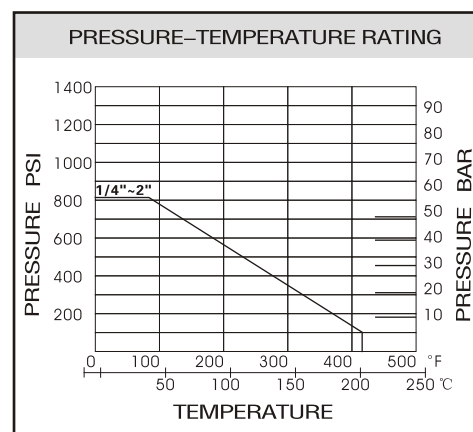
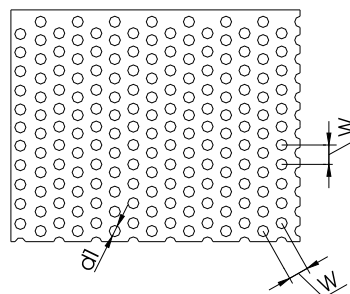
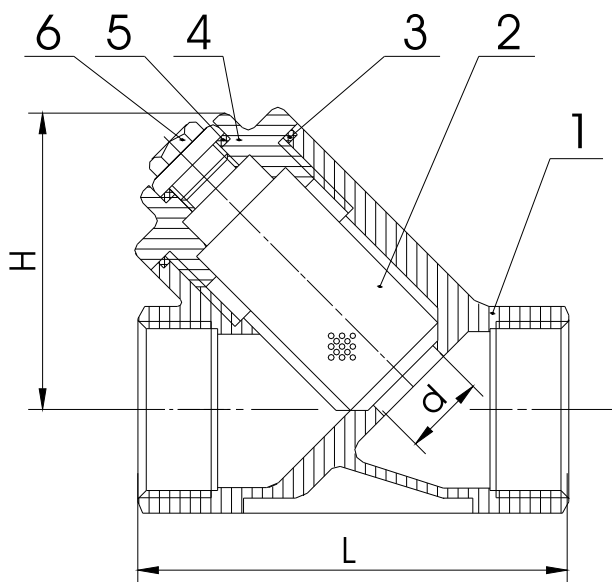
ITEM	PART	MATERIAL	QTY
1	Body	CF8M	1
2	Screen	SS316	1
3	Joint Gasket	PTFE	1
4	Bonnet	CF8M	1



## MV-41(B)

### Y-Strainer with Blow off

- Investment casting for body and bonnet
  - Threaded ends: ANSI B2.1, BS 21, DIN 259/2999
  - Pressure rating : 800 PSI (PN40)
  - Working temperature: -25°C +180°C
  - Material: CF8M, CF8, CF3M
- 
- 精密铸造Y型过滤器(带泄孔)
  - 螺纹标准: ANSI B2.1, BS 21, DIN 259/2999
  - 公称压力: 800 PSI(PN40)
  - 工作温度: -25°C +180°C
  - 材 料: CF8M, CF8, CF3M



### DIMENSION LIST

SIZE	d	L	H	W	d1	Kgs
1/4"	10	64	43	2	1	0.22
3/8"	12	64	43	2	1	0.22
1/2"	15	64	45	2	1	0.23
3/4"	20	80	52	2	1	0.35
1"	25	90	68	2	1	0.62
1-1/4"	32	106	70	2	1	0.84
1-1/2"	40	119	80	2	1	1.08
2"	50	140	98	2	1	1.65

### MATERIAL LIST

ITEM	PART	MATERIAL	QTY
1	Body	CF8M	1
2	Screen	SS316	1
3	Joint Gasket	PTFE	1
4	Bonnet	CF8M	1
5	O-Ring	VITON	1
6	Blow Off	SS316	1

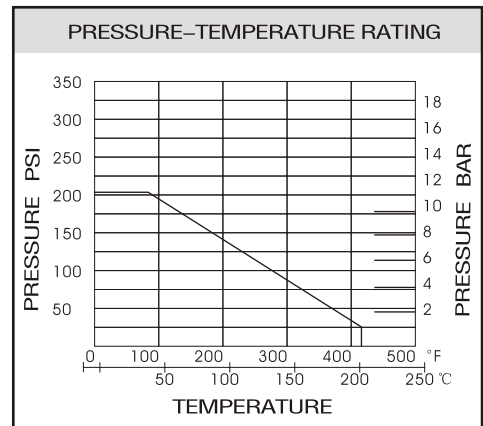
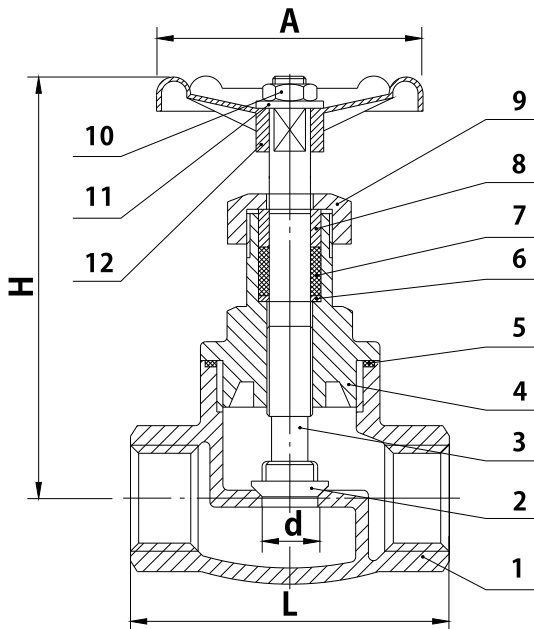


# MV-61

## Globe Valve

- Investment casting for body
- Threaded ends: ANSI B2.1, BS 21, DIN 259/2999
- Pressure rating: 200 PSI (PN16)
- Working temperature: -25°C +180°C
- Material: CF8M, CF8, CF3M

- 精密铸造截止阀
- 螺纹标准: ANSI B2.1, BS 21, DIN 259/2999
- 公称压力: 200 PSI(PN16)
- 工作温度: -25°C +180°C
- 材 料: CF8M, CF8, CF3M



### DIMENSION LIST

SIZE	d	L	H	A	Kgs
1/4"	10	70	85	70	0.42
3/8"	12	70	85	70	0.42
1/2"	15	70	85	70	0.41
3/4"	20	80	95	70	0.58
1"	25	90	105	80	0.92
1-1/4"	32	110	125	90	1.34
1-1/2"	40	120	135	90	2.00
2"	50	140	155	100	2.66

### MATERIAL LIST

ITEM	PART	MATERIAL	QTY
1	Body	CF8M	1
2	Petal	SS316	1
3	Stem	SS316	1
4	Cap	CF8M	1
5	Gasket	PTFE	1
6	Washer	SS304	1
7	Stem Packing	PTFE	1
8	Ring	SS304	1
9	Gland Ring	SS304	1
10	Wheel Nut	SS304	1
11	Plate	SS304	1
12	Hand Wheel	Alumnum Alloy	1



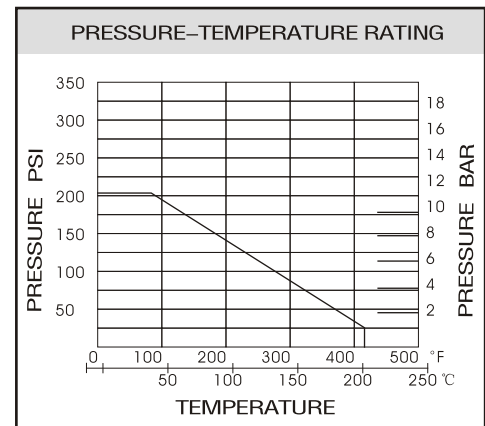
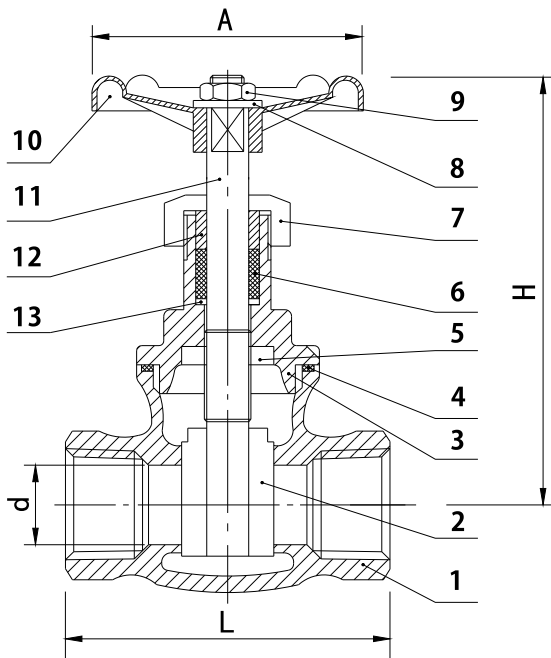


# MV-71

## Gate Valve

- Investment casting for body
- Threaded ends: ANSI B2.1, BS 21, DIN 259/2999
- Pressure rating: 200 PSI (PN16)
- Working temperature: -25°C +180°C
- Material: CF8M, CF8, CF3M

- 精密铸造闸阀
- 螺纹标准: ANSI B2.1, BS 21, DIN 259/2999
- 公称压力: 200 PSI (PN16)
- 工作温度: -25°C +180°C
- 材料: CF8M, CF8, CF3M



### DIMENSION LIST

SIZE	d	L	H	A	Kgs
1/4"	10	55	85	70	0.44
3/8"	12	55	85	70	0.44
1/2"	15	55	85	70	0.43
3/4"	20	60	95	70	0.56
1"	25	65	105	80	0.71
1-1/4"	32	75	125	90	1.18
1-1/2"	40	80	135	90	1.60
2"	50	95	155	100	2.37

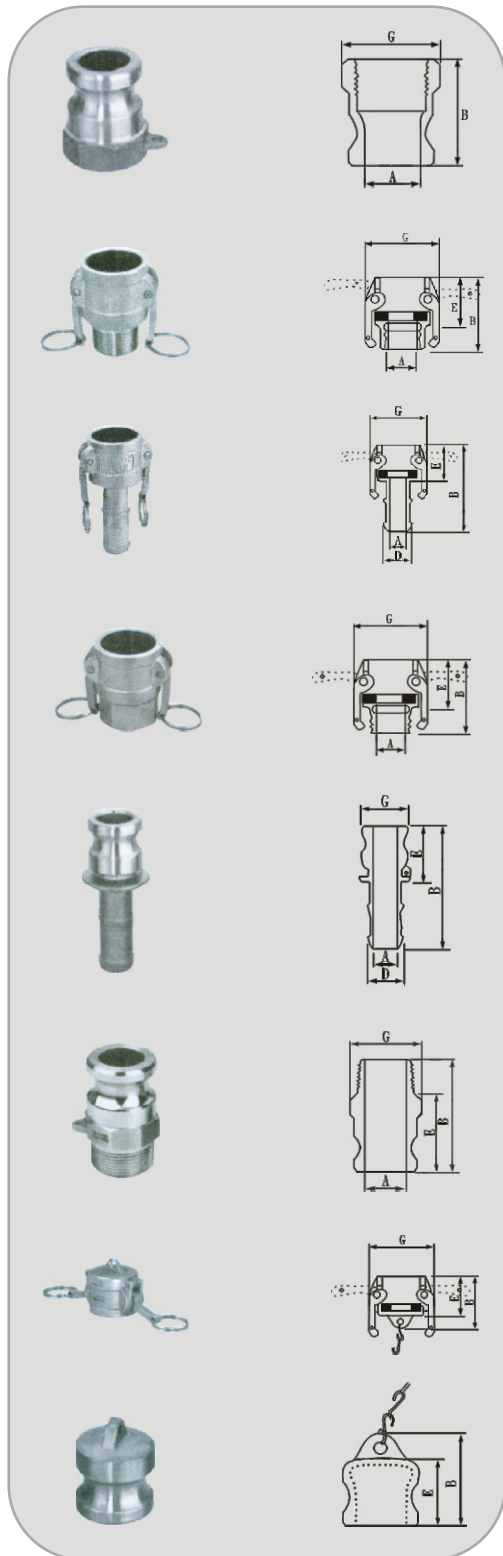
### MATERIAL LIST

ITEM	PART	MATERIAL	QTY
1	Body	CF8M	1
2	Disc	CF8M	1
3	Bonnet	CF8M	1
4	Gasket	PTFE	1
5	Snap Washer	SS316	1
6	Packing	PTFE	1
7	Packing Nut	SS316	1
8	Washer	SS304	1
9	Wheel Nut	SS304	1
10	Hand Wheel	Alumnum Alloy	1
11	Stem	SS316	1
12	Gland	SS304	1
13	Snap Washer	SS304	1

# MV-9001

## Quick joint

Material: CF8M, CF8, WCB    名称: 快速接头    材料: CF8M, CF8, CF3M



### TYPE: A

DIM	1/2	3/4	1	1-1/4	1-1/2	2	2-1/2	3	4	5	6
A	16	21	24	28.5	36	45	58	74	100	122	150
B	38.5	38.5	48.5	56.5	61	64.5	85	73	78	95	86
G	32	32	40	48	56	67	81.75	95.6	126.5	154	190

### TYPE: B

DIM	1/2	3/4	1	1-1/4	1-1/2	2	2-1/2	3	4	5	6
A	14	19	24	30	37	50	62	74	100	122	145
B	52	52	65	72.5	73	80	90	94	101	102	118
E	32	32	41	48.5	49	54	59	60	62	62	72
G	53	54	60	71.5	80	95	104	126	153.4	184	219

### TYPE: C

DIM	1/2	3/4	1	1-1/4	1-1/2	2	2-1/2	3	4	5	6
A	14	14	20	25	31	43	55	68	93	115	140
B	90	90	105	116.5	118	134	154	163	175	187	214
D	20	20	25.5	33	39	52	65	78	105	130	155
E	32	32	41	48.5	49	54	59	60	62	62	72
G	53	54	60	71.5	80	95	104	126	153.4	184	219

### TYPE: D

DIM	1/2	3/4	1	1-1/4	1-1/2	2	2-1/2	3	4	5	6
A	16	19	26	33	39	50	61	75	92	122	145
B	52.5	52.5	62	68.5	71	78.5	85.5	90.5	96.5	102	118
E	32.2	32.2	41	48.5	49	54	59	60	62	62	72
G	53	54	60	71.5	80	95	104	126	153.4	184	219

### TYPE: E

DIM	1/2	3/4	1	1-1/4	1-1/2	2	2-1/2	3	4	5	6
A	14	14	20	25	31	43	55	68	93	115	140
B	98	98	108.5	121	125	140	158	169	180	196	220
G	28	28	32	38	42.5	45	50	50	49.5	154	184
D	20	20	25.5	33	39	52	65	78	105	130	155
E	40	40	45.5	53	55.5	60	64	65	66.5	71	78

### TYPE: F

DIM	1/2	3/4	1	1-1/4	1-1/2	2	2-1/2	3	4	5	6
A	21.5	21.5	24	29	37	46.5	58	74	100	122	148
B	55	55	71.5	80	84	87	99	104.5	112.5	120	130
G	33	33	38.5	47.5	55	66	80	95	120	154	190
E	38	38	47.5	56	60	61	68.5	71.5	76.5	81	86

### TYPE: DC

DIM	1/2	3/4	1	1-1/4	1-1/2	2	2-1/2	3	4	5	6
B	45	45	54	65	69	78	83	88	94	94	120
G	35	35	41.5	51	52	59	64	65	70	70	82
E	53	54	60	79	83	94	109	130	158	184	219

### TYPE: DP

DIM	1/2	3/4	1	1-1/4	1-1/2	2	2-1/2	3	4	5	6
B	37	37	44	55	64	68	70	80	80	80	98
E	26	26	32	41	44	48	50	57	56	56	66

**MV-9101**



45° 弯头  
45° Elbows

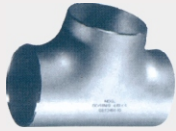


90° 弯头  
90° Elbows



180° 弯头  
180° Elbows

**MV-9102**

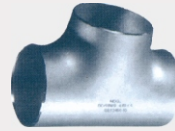


等径三通  
Equal Tee



等径四通  
Equal Cross

**MV-9103**



异径三通  
Reducing Tee

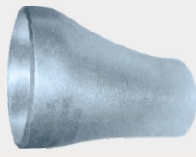


异径四通  
Reducing Cross

**MV-9104**



同心异径管  
Concentric Reducer



偏心异径管  
Eccentric Reducer

**MV-9105**

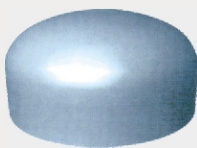


管端 End of Pipe  
SERIES A



SERIES B

**MV-9106**



对焊管帽  
Cap

**MV-9201**



法兰系列  
Flange

**MV-9301**



人孔系列  
Hatch (Manway)

# 精密铸造工艺流程图

## *Flow Chart of Investment Casting*



# 阀门生产工艺流程图

## *Flow Chart Of Valve Manufacturing*

