



PROFESSIONAL CAR ACCESSORIES

www.jxjttools.com

Jinteng



JIAXING JINTENG MECHANICAL INDUSTRIAL CORPORATION

Add: No.5 Zhongle Road, Haiyan Economic Development Zone,
Zhejiang Province, P.R.China

P.C.: 314305

Tel: 0086-573-86810328 86811052 86811006

Fax: 0086-573-86811002

Http://www.jxjttools.com

E-mail: JINTENGJACK@126.com

JIAXING JINTENG MECHANICAL INDUSTRIAL CORPORATION

China · Haiyan

JINTENG GROUP CONSISTS OF JIAXING JINTENG MECHANICAL INDUSTRIAL CORPORATION, HAIYAN JINTENG TOOLS CO., LTD, HAIYAN JINTENG IMP&EXP CO., LTD.

More than 30 years development, JINTENG had grown to be a comprehensive company with research, production and trading company, especially engaged in hydraulic tools, pneumatic tools, auto maintenance/repair kits, auto-spare parts, and manual handling equipment.

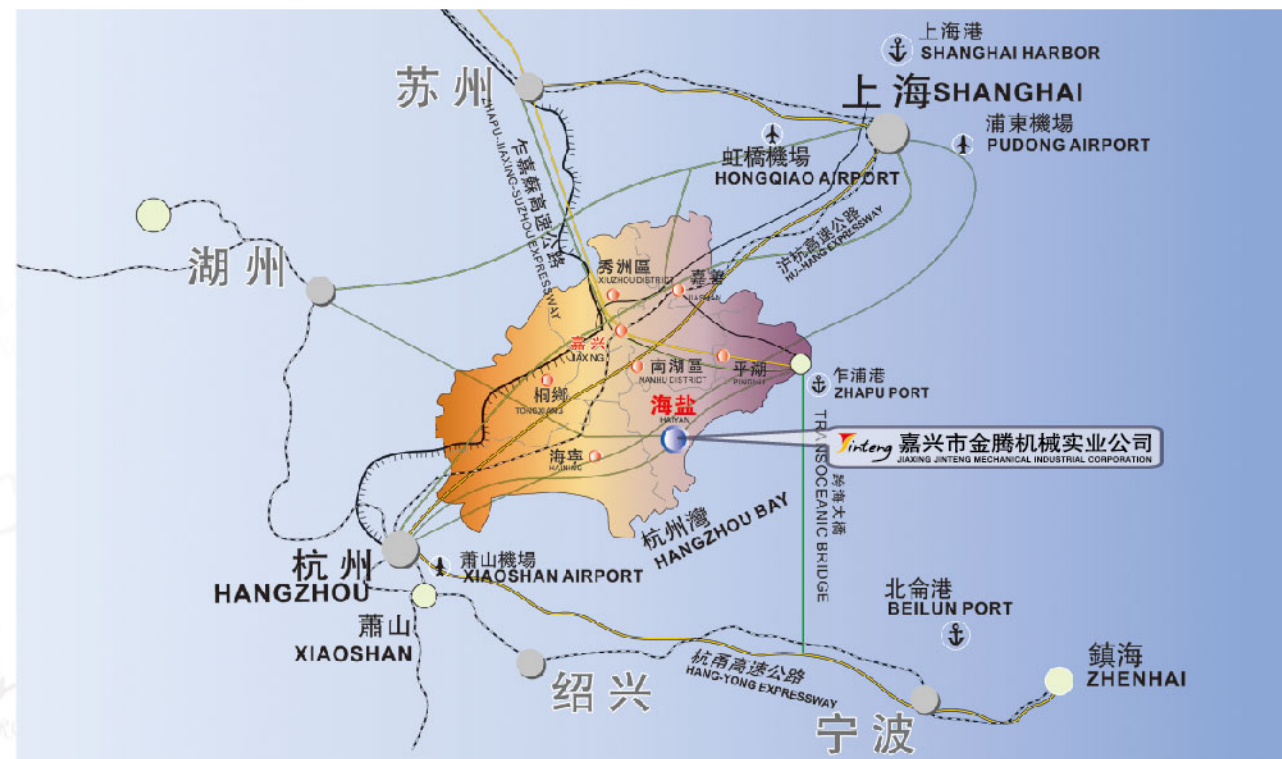
The company is situated in the hometown of jacks Haiyan county of Zhejiang province, being in the hinterland of Yangtse Delta, and exactly on the north end of Cross-Hangzhou-Bay Bridge. The company enjoys convenient transportation with Shanghai-Hangzhou Expressway and Shanghai-hangzhou Fast Lane through the front and the rear, due to which it only takes about one hour to visit Shanghai, Hangzhou and Suzhou, etc. of well-known tourist city.

Our company covers an area of 53000 square meters, and the total construction space is 26000 square meters. At present, We have twenty three engineering technicians and twelve administrative staff of quality. Jinteng has an annual production capacity of 3 million sets of jacks, characterized by diversified types, series and large-scale production. We can also meet the customers' specific needs on the appointed samples.

Jinteng pursues the management philosophy of "Bold Pioneering, Continuous Innovation, Quality First, and Customer Oriented".

Our company is equipped with fully automatic electrostatic spray-painting facilities, excellent assembling and testing devices introduced from Japan and Italy, and have developed the ISO9001:2000 quality management system. The products have passed the authentication of GS of Germany and CE of Euro community, furthermore, they have won the famous-brand title in domestic market. Thus our products find a good sale in all parts of the world!

General Manager: Liliang





	1-2 HYDRAULIC BOTTLE JACK		18 INDUSTRIAL TOE JACK & BOTTLE JACK
	3-4 HYDRAULIC BOTTLE JACK		19 SPIRAL JACK
	05 HYDRAULIC BOTTLE JACK		20 SCREW JACK
	06 HYDRAULIC BOTTLE JACK		21 JACK STAND
	07 HYDRAULIC FLOOR JACK		22 JACK STAND
	08 HYDRAULIC FLOOR JACK		23-24 SHOP PRESS
	09 HYDRAULIC FLOOR JACK		25 PNEUMATIC SHOP PRESS
	10 HYDRAULIC FLOOR JACK		26 TRANSMISSION JACK
	11 HYDRAULIC FLOOR JACK LOW PROFILE		27-28 HYDRAULIC CONVEYER
	12 ALUMINIUM RACING JACK 12 HYDRAULIC FLOOR JACK		29 SHOP CRANE 30 ENGINE SUPPORT
	13 AIR HYDRAULIC JACK		31 MOTORCYCLE LIFT
	14 HYDRAULIC AIR FLOOR JACK		32 HYDRAULIC PIPE BENDER 32 HYDRAULIC HAND PALLET TRUCK
	15 SCISSORS JACK		33 ENGINE STAND 34 SPRING COMPRESSOR
	16 FARM JACK 16 LONG RAM JACK		35 CREEPER 36 PLASTIC CREEPER
	17 PORTABLE HYDRAULIC EQUIPMENT		37-38 SEAMLESS STEEL TUBE



T20450

MODEL	CAPACITY (ton)	MIN.H. (mm)	LIFTING H. (mm)	ADJUST H. (mm)	MAX.H. (mm)	N.W. (kg)	QTY/20' CY (pcs)
T20402	2	148	80	50	278	2.3	7200
T20402B							6350
T20404	3/4	180	110	50	340	3.2	4920
T20404B							4425
T20406	5/6	185	110	60	355	4.1	3750
T20406B							3395
T20408	8	200	125	60	385	5.2	3090
T20408B							2956
T20410	10	200	125	60	385	5.6	2835
T20410B							2750
T20412	12	210	125	60	395	6.8	2350
T20416	15/16	225	140	60	425	7.8	2000
T20420	20	235	145	60	440	10.0	1558
T20432	30/32	255	150	/	405	13.0	1170
T20450	50	255	150	/	405	19.5	738

Note: "B" is blow case packing.



MODEL	CAPACITY (ton)	MIN.H. (mm)	LIFTING H. (mm)	ADJUST H. (mm)	MAX.H. (mm)	N.W. (kg)	QTY/20' CY (pcs)
T20402a	2	181	116	48	345	2.5	6390
T20402aB							5570
T20404a	3/4	194	118	60	372	3.3	4800
T20404aB							4280
T20406a	5/6	216	127	70	413	4.3	3540
T20406aB							3180
T20408a	8	230	147	80	457	5.6	2850
T20408aB							2765
T20410a	10	230	150	80	460	6.0	2620
T20410aB							2550
T20412a	12	230	150	80	460	7.0	2270
T20416a	15/16	230	150	80	460	8.0	1980
T20420a	20	242	150	60	452	10.2	1530

Note: "B" is blow case packing.



T20202 T20204 T20206 T20208 T20210



T20212 T20216 T20220 T20232



T20250

MODEL	CAPACITY (ton)	MIN. H. (mm)	LIFTING H. (mm)	ADJUST H. (mm)	MAX. H. (mm)	N.W. (kg)	QTY/20' CY (pcs)
T20202	2	148	80	50	278	2.1	7200
T20202B							6350
T20204	3/4	180	110	50	340	3.1	4920
T20204B							4425
T20206	5/6	185	110	60	355	4.0	3750
T20206B							3395
T20208	8	200	125	60	385	5.0	3090
T20208B							2956
T20210	10	200	125	60	385	5.4	2835
T20210B							2750
T20212	12	210	125	60	395	6.5	2350
T20216							2000
T20220	20	235	145	60	440	9.8	1558
T20232							1170
T20250	50	255	150	/	405	19.0	738
T20100	100	335	180	/	515	70.0	212
T20200	200	375	200	/	575	128.0	121

Note: "B" is blow case packing.



T20308 T20306 T20304 T20302



T20310 T20312 T20316 T20320

MODEL	CAPACITY (ton)	MIN. H. (mm)	LIFTING H. (mm)	ADJUST H. (mm)	MAX. H. (mm)	N.W. (kg)	QTY/20' CY (pcs)
T20302	2	181	116	48	345	2.4	6390
T20302B							5570
T20304	3/4	194	118	60	372	3.2	4800
T20304B							4280
T20306	5/6	216	127	70	413	4.1	3540
T20306B							3180
T20308	8	230	147	80	457	5.3	2850
T20308B							2765
T20310	10	230	150	80	460	5.6	2620
T20310B							2550
T20312	12	230	150	80	460	6.7	2270
T20316							1980
T20320	20	242	150	60	452	10.0	1530

Note: "B" is blow case packing.



T20116



T20120



T20132



T20150



T20102



T20104



T20106



T20108



T20110



T20112

MODEL	CAPACITY (ton)	MIN. H. (mm)	LIFTING H. (mm)	ADJUST H. (mm)	MAX. H. (mm)	N.W. (kg)	QTY/20' CY (pcs)
T20102 / QYL1.6	2	158	90	60	308	2.2	7200
T20104 / QYL3.2	4	195	125	60	380	3.5	4920
T20106 / QYL5	6	200	125	60	385	4.5	3750
T20108 / QYL8	8	236	160	60	456	6.8	2530
T20110 / QYL10	10	240	160	60	460	7.2	2350
T20112 / QYL12.5	12.5	245	160	60	465	9.1	1789
T20116 / QYL16	16	250	160	60	470	10.8	1545
T20120 / QYL20	20	280	180	/	460	15.0	1000
T20132 / QYL32	32	285	180	/	465	23.0	738
T20150 / QYL50	50	300	180	/	480	33.5	507



MODEL T-20520

CAPACITY: 20 Ton
 MIN.H.: 243 mm
 LIFTING H.: 148 mm
 ADJUST H.: 115 mm
 MAX.H.: 506 mm
 N.W.: 10.5 kg
 QTY/20'CY: 1550 pcs



MODEL T-20530

CAPACITY: 30 Ton
 MIN.H.: 250 mm
 LIFTING H.: 150 mm
 ADJUST H.: 104 mm
 MAX.H.: 504 mm
 N.W.: 16.2 kg
 QTY/20'CY: 1150 pcs



T20232



T20200



T20212



T20206



T20204

MODEL	CAPACITY (ton)	MIN. H. (mm)	FIRST LIFTING H. (mm)	SECOND LIFTING H. (mm)	ADJUST H. (mm)	MAX. H. (mm)	N.W. (kg)	QTY/20' CY (pcs)
T20202	2	180	110	110	/	400	3.5	4180
T20204	4	160	85	85	50	380	4.8	3300
T20206	6	160	80	90	60	390	5.5	2400
T20212	12	220	80	100	60	460	9.5	1650
T20200	20	235	90	100	60	485	13.0	1100
T20232	32	235	90	90	/	415	17.0	790



T20202

HYDRAULIC BOTTLE JACK (SHORT)



T20250s



T20232s



T20220s



T20216s

MODEL	CAPACITY (ton)	MIN. H. (mm)	LIFTING H. (mm)	ADJUST H. (mm)	MAX. H. (mm)	N.W. (kg)	QTY/20' CY (pcs)
T20202s	2	105	50	/	155	1.7	10000
T20212s	12	185	100	50	335	6.0	2520
T20216s	16	190	100	50	340	7.1	2195
T20220s	20	190	95	50	335	8.2	1770
T20232s	32	200	95	/	295	11.0	1550
T20250s	50	210	100	/	310	17.0	1000



T20212s



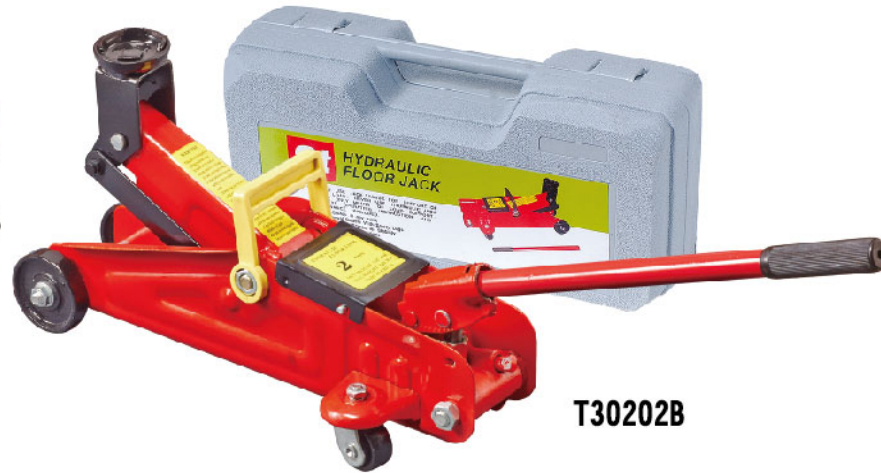
T30001



T30202



T30302



T30202B



T31102



T31201



T31302



T31303

T31303a



T31101



T31001

MODEL	CAPACITY (ton)	MIN. H. (mm)	MAX. H. (mm)	N.W. (kg)	G.W. (kg)	QTY/20' CY (pcs)
T30302	2	135	385	11.5	12.0	1340
T30302B	2	135	385	11.5	13.0	1300
T30202	2	135	340	8.6	9.1	1900
T30202B	2	135	340	8.6	9.6	1800
T30102	2	135	325	8.0	8.5	2150
T30102B	2	135	325	8.0	9.0	2000
T30002	2	135	320	7.0	7.5	2350
T30002B	2	135	320	7.0	7.8	2100
T30001	2	135	320	6.5	7.0	2350
T30001B	2	135	320	6.5	7.3	2100

MODEL	CAPACITY (ton)	MIN. H. (mm)	MAX. H. (mm)	N.W. (kg)	G.W. (kg)	QTY/20' CY (pcs)
T31001	3	140	460	22.0	23.0	630
T31101	3	135	495	28.0	30.0	500
T31102	2-1/4	135	495	30.0	32.0	500
T31201	2-1/2	135	495	32.0	34.0	500
T31302	3	135	495	33.5	35.5	450
T31303	3-1/2	135	520	36	38	430
T31303a	3-1/2	135	520	36	38	430



T31002



T31003

MODEL	CAPACITY (ton)	MIN. H. (mm)	MAX. H. (mm)	N.W. (kg)	G.W. (kg)	QTY/20' CY (pcs)
T31002	3	133	387	12.0	12.5	1500
T31002B	3	133	387	12.0	13.8	1350
T31003	3	192	532	16.5	17.0	1020
T31003B	3	192	532	16.5	18.0	950

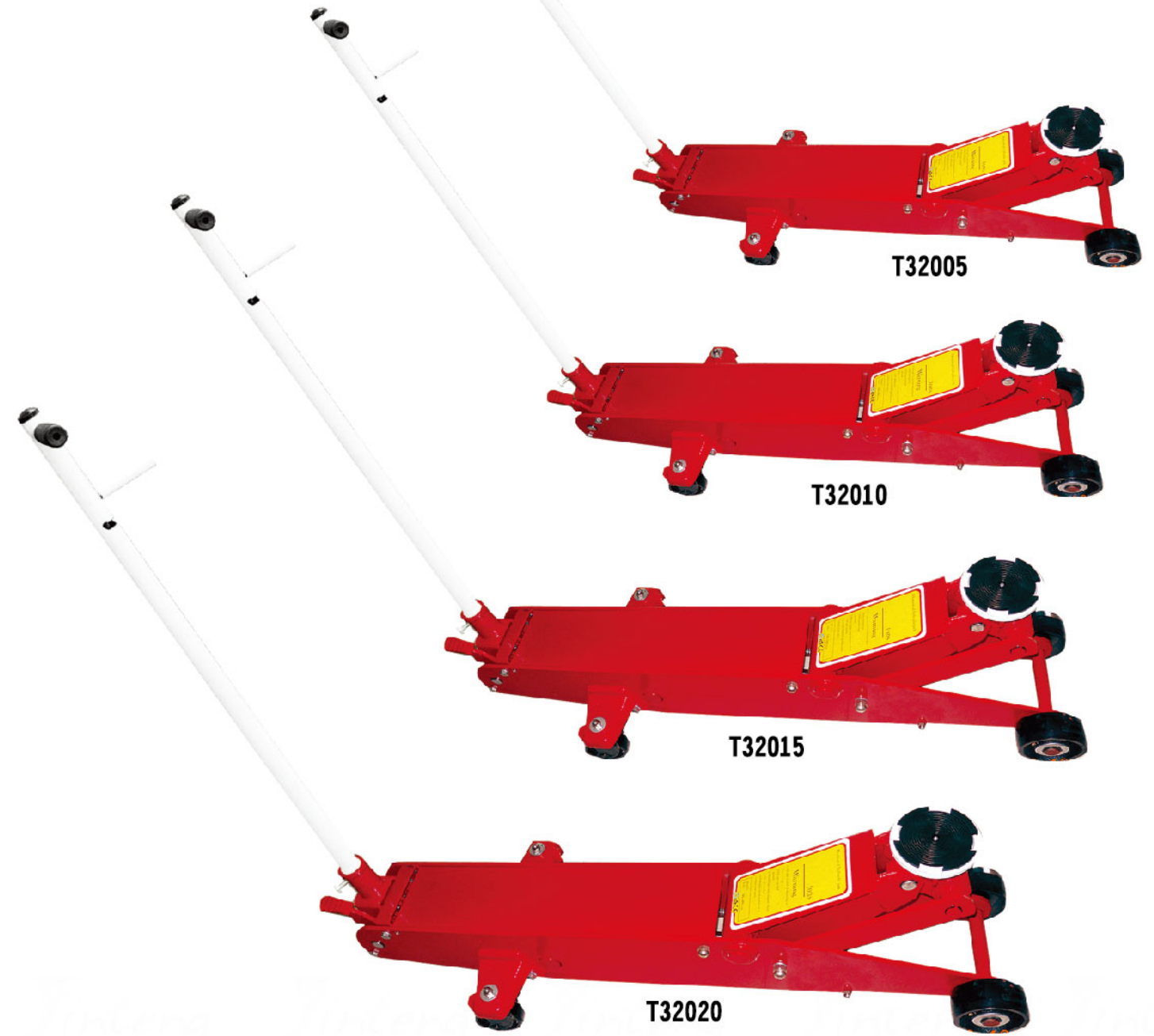


T32002



T32003

MODEL	CAPACITY (ton)	MIN. H. (mm)	MAX. H. (mm)	N.W. (kg)	G.W. (kg)	QTY/20' CY (pcs)
T32002	2	140	800	55.0	60.0	220
T32003	3	140	635	58.0	63.0	240



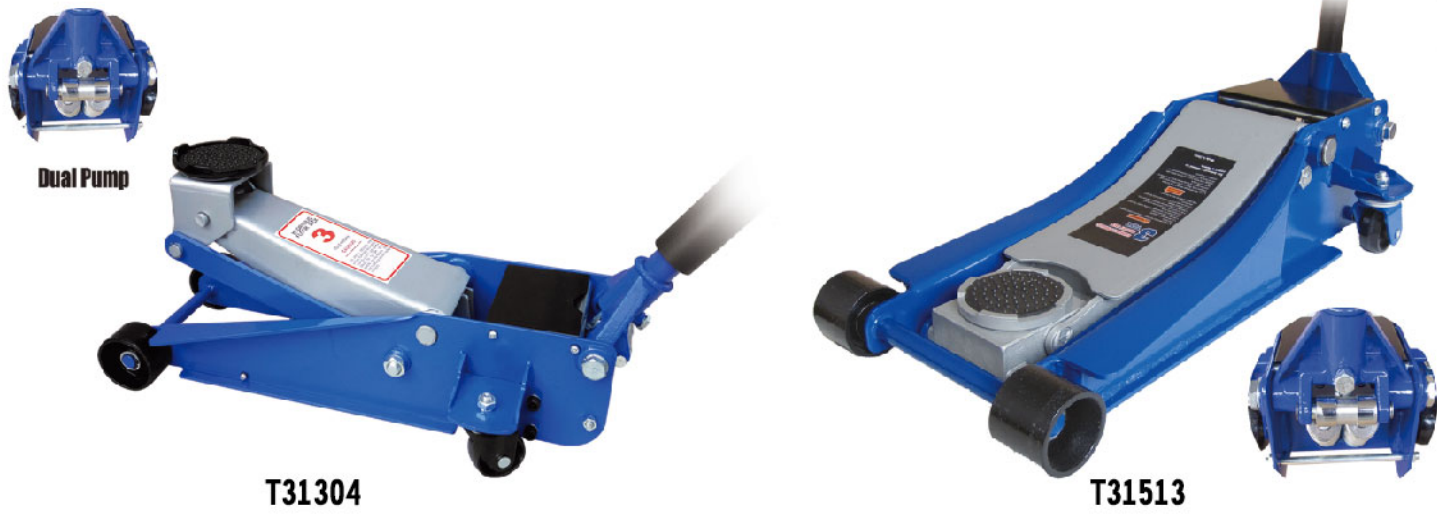
T32005

T32010

T32015

T32020

MODEL	CAPACITY (ton)	MIN. H. (mm)	MAX. H. (mm)	N.W. (kg)	G.W. (kg)	QTY/20' CY (pcs)
T32005	5	140	580	90.0	100.0	170
T32010	10	155	580	125.0	140.0	160
T32015	15	220	680	170.0	185.0	100
T32020	20	220	680	210.0	225.0	80



MODEL	CAPACITY (ton)	MIN. H. (mm)	MAX. H. (mm)	N.W. (kg)	G.W. (kg)	PRODUCT SIZE (mm)	PACKAGE SIZE (mm)	QTY/20' CY (pcs)
T31304	3	140	470	30.5	32.0	680x330x188	710x360x208	500
T31513	3	70	508	34.0	36.0	760x330x170	800x360x210	450



MODEL	CAPACITY (ton)	MIN. H. (mm)	MAX. H. (mm)	N.W. (kg)	G.W. (kg)	PRODUCT SIZE (mm)	PACKAGE SIZE (mm)	QTY/20' CY (pcs)
T31006B	1.5	80	375	11.8	12.8	557x255x150	630x360x170	900
T31006BD	1.5	80	375	12.0	13.0	557x255x150	630x360x170	900

HYDRAULIC FLOOR JACK



MODEL	CAPACITY (ton)	MIN. H. (mm)	MAX. H. (mm)	N.W. (kg)	G.W. (kg)	PRODUCT SIZE (mm)	PACKAGE SIZE (mm)	QTY/20' CY (pcs)
T33003	2-1/2	80	365	13.2	13.8	565x224x125	595x230x155	1300
T33003B	2-1/2	80	365	13.2	14.8	565x224x125	595x255x155	1200
T33004	2-1/2	85	385	13.3	13.9	560x212x145	600x235x155	1250

Note: "B" is blow case packing



MODEL	CAPACITY (ton)	MIN. H. (mm)	MAX. H. (mm)	N.W. (kg)	G.W. (kg)	PACKAGE SIZE (mm)	QTY/20' CY (pcs)
T30403	3	190	533	19.2	21.5	665x590x195	740
T30403B	3	190	533	19.2	23.7	660x290x230	680
T30403Q	3	190	533	19.5	21.8	665x590x195	740
T30403QB	3	190	533	19.5	24.0	660x290x230	680

Note: "B" is blow case packing



MODEL	CAPACITY (ton)	MIN. H. (mm)	MAX. H. (mm)	N.W. (kg)	G.W. (kg)	QTY/20' CY (pcs)
T21012	12	235	440	13.5	14.1	1280
T21020	20	235	440	15.0	15.6	1150
T21030	30	280	470	25.0	26.0	730
T22050	50	315	490	37.0	39.0	475



MODEL	CAPACITY (ton)	MIN. H. (mm)	MAX. H. (mm)
T22022	22	226	450
T22035	35	258	536

MODEL	N.W. (kg)	G.W. (kg)	QTY/20' CY (pcs)
T22022	36.5	39.0	450
T22035	45.5	48.0	400

MODEL	CAPACITY (ton)	MIN. H. (mm)	FIRST LIFTING H1. (mm)	SECOND LIFTING H2. (mm)	THIRD LIFTING H3. (mm)	AIR PRESSURE (mpa)	N.W. (kg)	G.W. (kg)	PACKAGE SIZE (mm)	QTY/20' CY (pcs)
T24050	50/25/10	151	60	54	52	0.8-1.2	317	62.0	1410×300×290	220
T22050	50/25	210	106	94	/	0.8-1.2	406	73.0	1410×300×290	220
T22080	80/40	210	106	94	/	0.8-1.2	406	75.0	1410×300×290	220

Scissors Jack


T10108

T10109

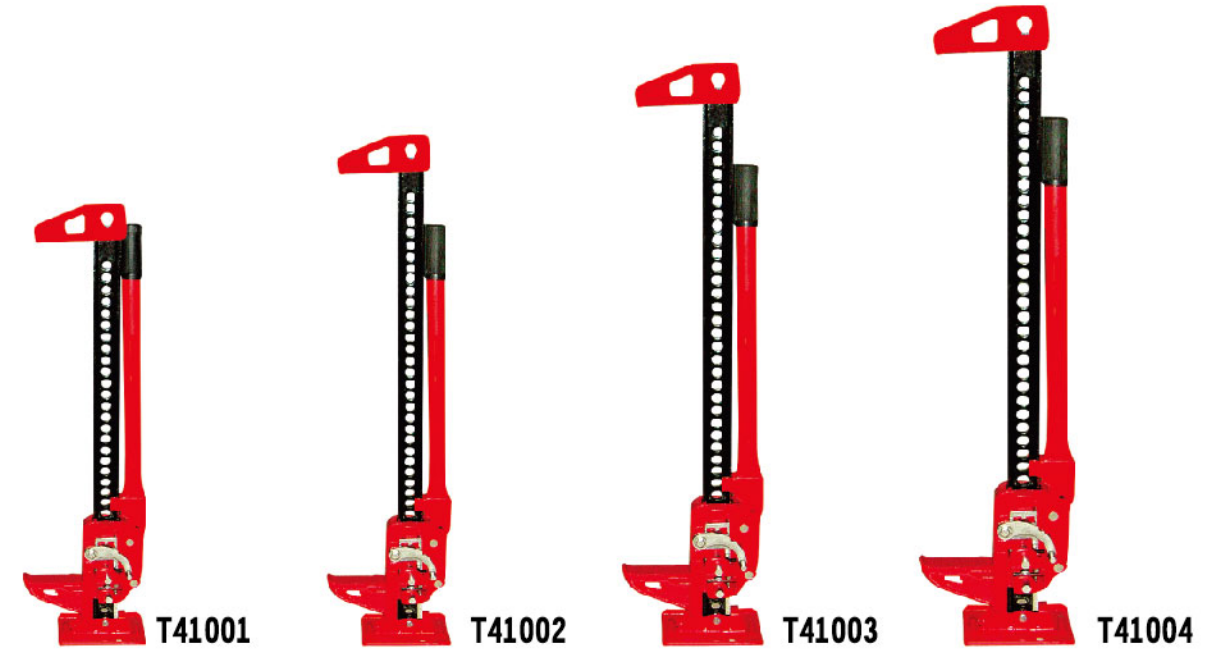
T10115

T10120

T10106

MODEL	CAPACITY (ton)	MIN. H. (mm)	MAX. H. (mm)	N. W. (kg)	G. W. (kg)	QTY/20' CY (pcs)
T10106	0.6	85	385	2.1	2.3	8000
T10108	0.75	90	320	2.2	2.4	9000
T10109	1.0	90	310	2.0	2.2	9000
T10110	1.0	90	350	2.6	2.8	6900
T10115	1.5	105	380	3.2	3.4	5300
T10120	2.0	105	385	3.3	3.5	5000

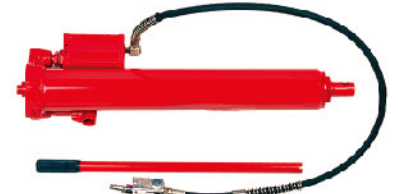
Farm Jack



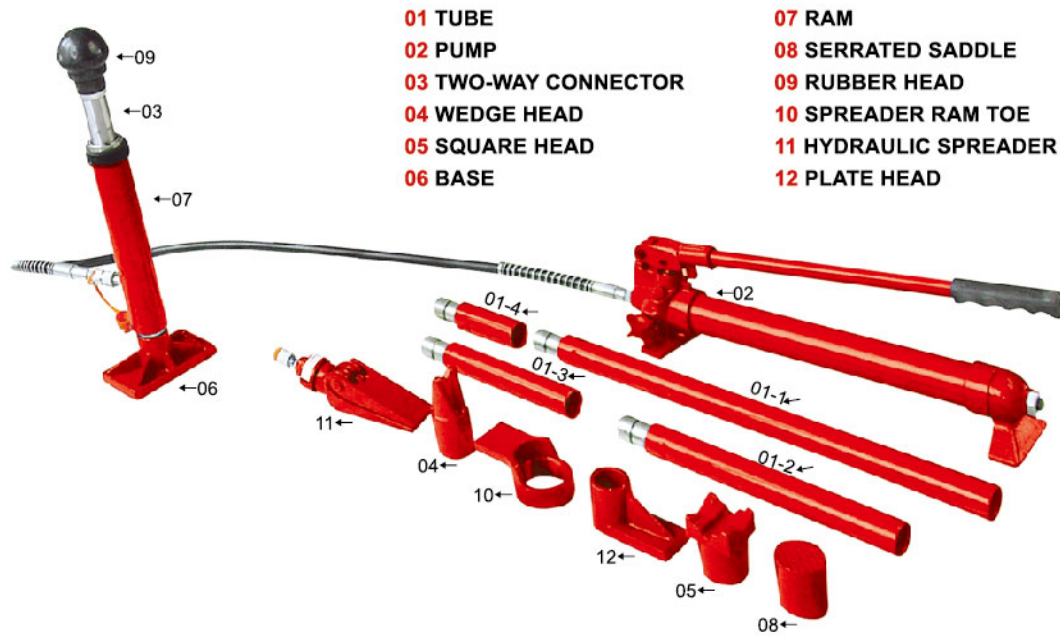
MODEL	SIZE	MIN. H. (mm)	MAX. H. (mm)	N. W. (kg)	G. W. (kg)	PACKAGE SIZE (mm)	QTY/20' CY (pcs)
T41001	20"	160	480	12.0	13.0	560 x 245 x 140	1320
T41002	33"	160	700	13.0	14.0	920 x 245 x 140	950
T41003	48"	160	1070	14.0	15.0	1240 x 245 x 140	670
T41004	60"	160	1350	15.0	16.0	1520 x 245 x 140	550

LONG RAM JACK

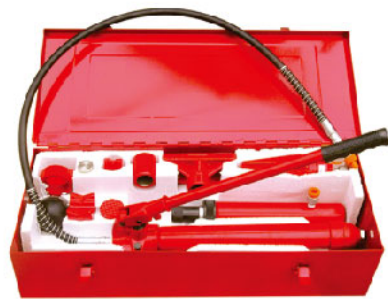

T01103/T01105/T01108

T01203/T01205/T01208

T01303/T01305/T01308

MODEL	CAPACITY (ton)	MIN. H. (mm)	LIFTING H. (mm)	MAX. H. (mm)	N. W. (kg)	QTY/20' CY (pcs)
T01103	3	630	495	1125	9.0	1650
T01105	5	630	495	1125	10.0	1550
T01108	8	630	490	1120	11.0	1380
T01203	3	630	495	1125	9.0	1650
T01205	5	630	495	1125	10.0	1550
T01208	8	630	490	1120	11.0	1380
T01303	3	630	495	1120	13.0	1650
T01305	5	630	495	1120	14.0	1550
T01308	8	630	490	1120	14.0	1380



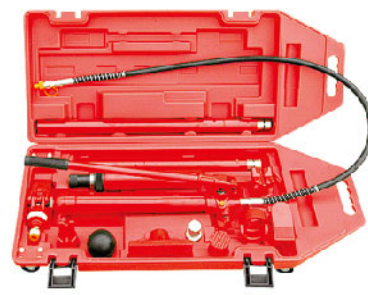
- 01 TUBE
- 02 PUMP
- 03 TWO-WAY CONNECTOR
- 04 WEDGE HEAD
- 05 SQUARE HEAD
- 06 BASE
- 07 RAM
- 08 SERRATED SADDLE
- 09 RUBBER HEAD
- 10 SPREADER RAM TOE
- 11 HYDRAULIC SPREADER
- 12 PLATE HEAD



T03004/T03010



T03004/T03010



T03010

MODEL	CAPACITY (ton)	MIN.H. (mm)	STROKE (mm)	N.W. (kg)	QTY/20' CY/IRON CASE (pcs)	QTY/20' CY/BLOW CASE (pcs)
T03004	4	270	125	17.0	1000	660
T03010	10	358	135	31.0	600	470

MODEL T03020

CAPACITY: 20 Ton
 STROKE: 145 mm
 MIN.HEIGHT: 385 mm
 N.W.:41.0 kg
 G.W.: 42.0 kg
 PACKAGE SIZE (mm)/IRON CASE: 760×320×170mm
 QTY/20'CY(pcs)/IRON CASE: 500 pcs

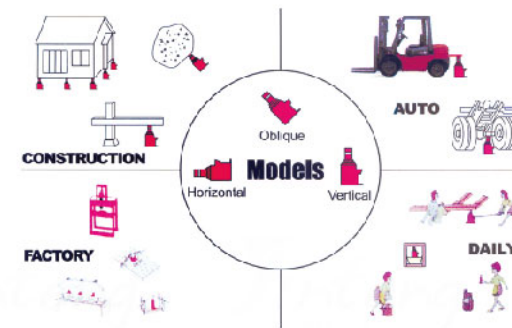


T03020



MODEL	CAPACITY (ton)	LIFTING HEIGHT OF TOE (mm)	LIFTING HEIGHT OF HEAD (mm)	N.W. (kgs)	PACKAGE SIZE (mm)
T20605-2	5	25-230	368-573	25.0	365×200×440
T20610-2	10	30-260	420-650	35.0	380×225×500
T20725-2	25	58-273	505-720	102.0	530×350×610

SPEC MODEL	CAPACITY (ton)		TOE (mm)			WEIGHT (kg)	
	TOE	HEAD	MIN.H.	LIFT	MAX.H.		
T20605	2.5	5	18	123	141	34×60	9.0
T20608	4	8	22	118	140	44×66	14.5
T20610	5	10	25	154	179	56×74	21.0
T20620	10	20	30	163	193	67×102	39.6
T20630	15	30	35	160	195	72×122	58.4



MODEL	CAPACITY (ton)	MIN.H. (mm)	MAX.H. (mm)	HEAD SCREW. (mm)	BASE SIZE. (mm)	N.W. (kg)	PACKAGE SIZE (mm)	QTY/CTN (pcs)	QTY/20' CY (pcs)
T20502	2	180	345	50	118×78	2.4	134×104×197	1.0	7000
T20504	3	190	365	60	125×83	3.0	141×109×207	1.0	6000
T20506	5	200	390	70	142×92	3.7	152×118×217	1.0	4400
T20508	8	200	392	70	157×98	5.6	171×124×217	1.0	3000
T20512S	12	178	345	75	173×119	6.9	193×149×262	1.0	2600
T20512	12	240	468	80	173×119	8.0	193×149×262	1.0	2200
T20520	20	270	430	/	193×144	13.0	231×182×292	1.0	1400
T20520S	20	183	305	40	193×144	9.7	231×182×292	1.0	1700
T20530	30	280	445	/	202×150	18.4	241×164×312	1.0	920
T20550	50	300	480	/	218×176	35.6	225×245×317	1.0	490

Spipal Jack


T20802A

T20802B


MODEL	CAPACITY (ton)	MIN. H. (mm)	MAX. H. (mm)	N. W. (kg)	QTY/CTN (pcs)	PACKAGE SIZE (mm)	QTY/20' CY (pcs)
T20802A	2	150	310	3.6	6.0	510×240×205	3000
T20802B	2	180	390	4.0	6.0	490×250×220	3000


T20802C

T20801


MODEL	CAPACITY (ton)	MIN. H. (mm)	MAX. H. (mm)	N. W. (kg)	QTY/CTN (pcs)	PACKAGE SIZE (mm)	QTY/20' CY (pcs)
T20802C	2	190	410	3.6	6.0	320×250×230	3500
T20801	1.5	160	380	2.3	6.0	400×230×190	4000

Screw Jack



MODEL	CAPACITY (ton)	MIN. H. (mm)	LIFTING H. (mm)	MAX. H. (mm)	N. W. (kg)	G. W. (kg)	QTY/20' CY (pcs)
T20804 QL3.2	3.2	200	110	310	5.2	6.0	3000
T20806 QL5	5	250	130	380	8.0	9.0	2000
T20808 QL8	8	260	140	400	9.0	10.0	1800
T20810 QL10	10	280	150	430	10.5	11.5	1560
T20810D QLD10	10	200	75	275	6.5	7.0	2500
T20816 QL16	16	320	180	500	13.5	15.0	1200
T20820 QL20	20	325	180	505	13.8	15.5	1160
T20825 QL25	25	275	130	405	13.5	15.0	1200
T20832 QL32	32	395	200	595	23.5	26.5	680
T20832D QLD32	32	320	180	500	14.5	16.0	810
T20842 QL42	42	410	200	610	21.5	23.0	780
T20850 QL50	50	452	250	702	22.5	25.0	720
T20850D QLD50	50	330	150	480	19.0	21.0	850
T208100 QL100	100	452	200	652	72.0	84.0	210
T208200 QL200	200	472	200	672	127.0	137.0	120



T51102

T51103

T51106

T51112

MODEL	CAPACITY (ton)	MIN. H. (mm)	MAX. H. (mm)	N.W. (kg)	G.W. (kg)	QTY/20' CY (pcs)
T51102	2	275	420	5.0	5.3	2300
T51103	3	295	425	5.5	5.8	1900
T51106	6	395	600	9.5	10.0	860
T51112	12	460	715	24.0	25.0	540



T51202

T51203

T51206

T51212

MODEL	CAPACITY (ton)	MIN. H. (mm)	MAX. H. (mm)	N.W. (kg)	G.W. (kg)	QTY/20' CY (pcs)
T51202	2	280	428	5.5	5.8	2000
T51203	3	287	428	7.0	7.5	1850
T51206	6	417	612	14.0	14.5	700
T51212	12	490	750	26.0	27.0	430



T51102P

T51103P

T51106P

T51112P

MODEL	CAPACITY (ton)	MIN. H. (mm)	MAX. H. (mm)	N.W. (kg)	G.W. (kg)	QTY/20' CY (pcs)
T51102P	2	275	420	5.0	5.3	2300
T51103P	3	295	425	5.5	5.8	1900
T51106P	6	395	600	9.5	10.0	860
T51112P	12	460	715	24.0	25.0	540



T52302

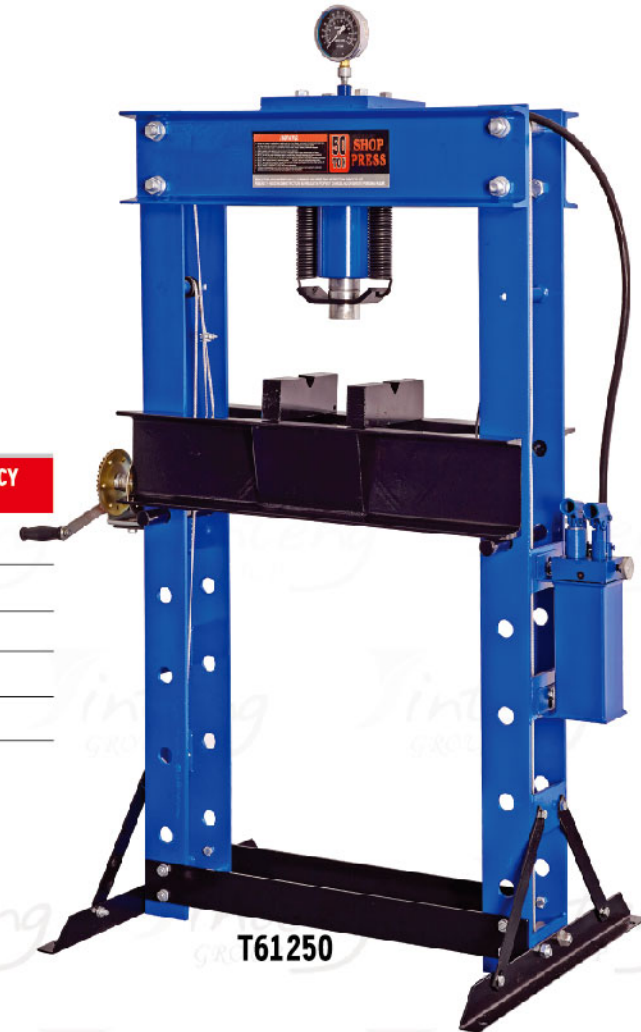
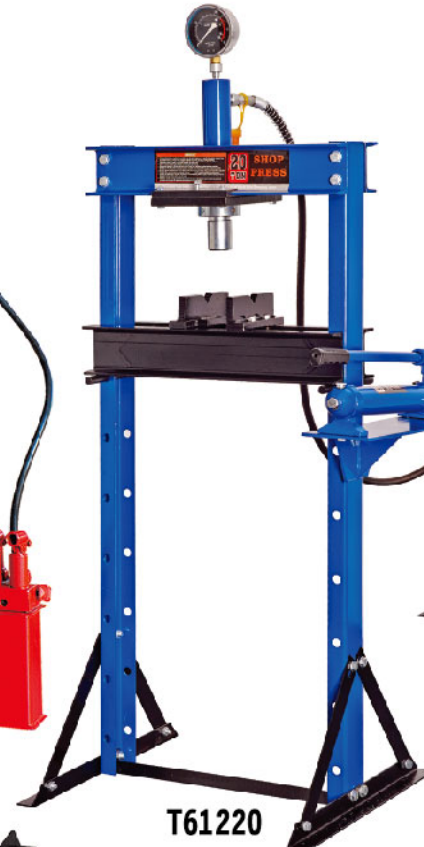


T52102



MODEL	CAPACITY (ton)	MIN. H. (mm)	MAX. H. (mm)	N.W. (kg)	G.W. (kg)	QTY/20' CY (pcs)
T52102	2	280	355	3.2	3.4	4500
T52302	2	260	350	3.0	3.3	2300

CE

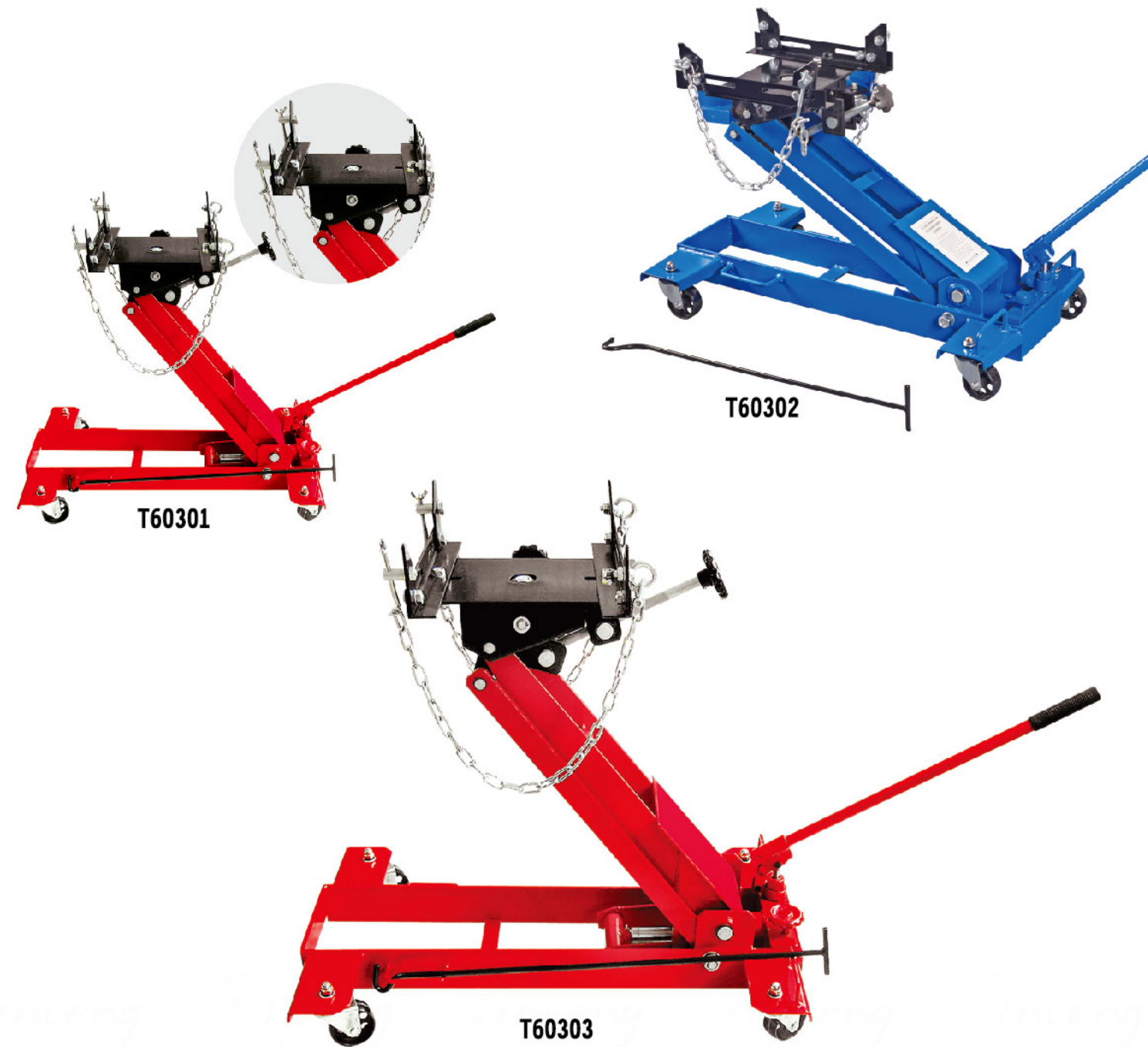


MODEL	CAPACITY (ton)	PRODUCT SIZE (mm)	N.W. (kg)	G.W. (kg)	QTY/20' CY (pcs)
T61106	6	430x400x620	28.0	29.0	640
T61112	12	510x500x1230	43.0	45.0	400
T61120	20	750x650x1510	85.0	88.0	170
T61130	30	910x800x1800	95.0	98.0	200
T61130a	30	1620x280x280	110.0	118.0	180

MODEL	CAPACITY (ton)	PRODUCT SIZE (mm)	N.W. (kg)	G.W. (kg)	QTY/20' CY (pcs)
T61210	10	760x540x160	53.0	55.0	350
T61212	12	510x500x1230	82.0	85.0	400
T61220	20	750x650x1510	95.0	99.0	170
T61230	30	910x800x1800	150.0	160.0	120
T61250	50	1120x800x1800	242.0	273.0	60



MODEL	T61350	T61375	T613100	T613150
CAPACITY(ton):	50	75	100	150
STROKE(mm):	220	280	280	350
MAX.WORKING DISTANCE (mm):	870	825	910	860
N.W.(kg):	350.0	480.0	900.0	1250.0
G.W.(kg):	400.0	530.0	950.0	1300.0
PACKAGE SIZE (mm):	1900×990×530	2000×1150×580	2100×1230×630	2350×1600×720
QTY/20'CY(pcs):	24	20	20	15



MODEL	CAPACITY (ton)	MIN. H. (mm)	MAX. H. (mm)	N.W. (kg)	G.W. (kg)	QTY/20' CY (pcs)
T60301	0.5	170	680	45.0	53.0	320
T60302	1	230	760	62.0	69.0	250
T60303	1.5	230	890	83.0	90.0	210



MODEL T60101

CAPACITY: 0.5Ton
MIN.H.: 1100 mm
MAX.H.: 1900 mm
N.W.: 33.0 kg
G.W.: 38.0 kg
QTY/20'CY: 390 pcs

T60101



MODEL T60102

CAPACITY: 0.5Ton
MIN.H.: 1300 mm
MAX.H.: 1800 mm
N.W.: 35.0 kg
G.W.: 40.0 kg
QTY/20'CY: 400 pcs

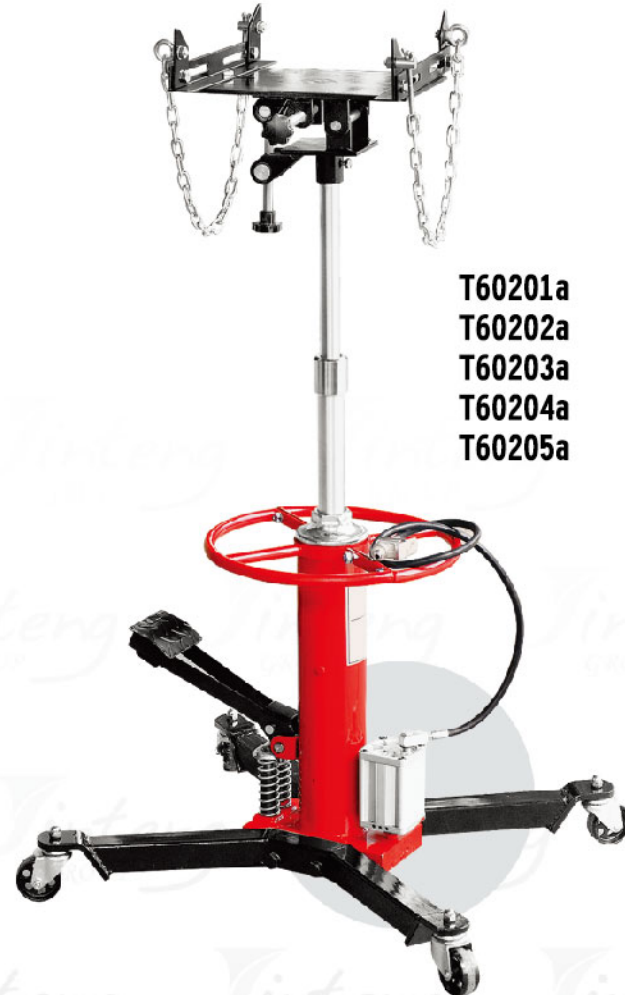
T60102



MODEL T60103

CAPACITY: 0.5Ton
MIN.H.: 1100 mm
MAX.H.: 1900 mm
N.W.: 43.0 kg
G.W.: 48.0 kg
QTY/20'CY: 375 pcs

T60103



**T60201a
T60202a
T60203a
T60204a
T60205a**



MODEL T60201

CAPACITY: 0.5Ton
MIN.H.: 850 mm
MAX.H.: 1800 mm
N.W.: 55.0 kg
G.W.: 65.0 kg
QTY/20'CY: 230 pcs

T60201



MODEL T60205

CAPACITY: 0.5Ton
MIN.H.: 855 mm
MAX.H.: 1800 mm
N.W.: 54.0 kg
G.W.: 62.0 kg
QTY/20'CY: 230 pcs

T60205



MODEL T60202

CAPACITY: 0.6Ton
MIN.H.: 850 mm
MAX.H.: 1800 mm
N.W.: 57.0 kg
G.W.: 67.0 kg
QTY/20'CY: 230 pcs

T60202



MODEL T60204

CAPACITY: 0.5Ton
MIN.H.: 830 mm
MAX.H.: 1800 mm
N.W.: 75.0 kg
G.W.: 87.0 kg
QTY/20'CY: 150 pcs

T60204

MODEL T60203

CAPACITY: 0.5Ton
MIN.H.: 850 mm
MAX.H.: 1800 mm
N.W.: 53.0 kg
G.W.: 63.0 kg
QTY/20'CY: 230 pcs



T60203

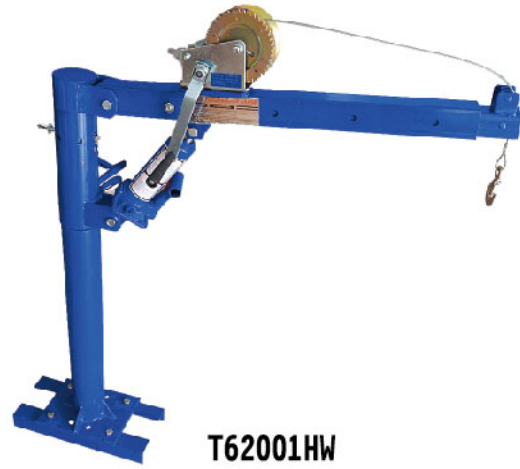
Shop Crane



T62001



T62001W



T62001HW

MODEL	CAPACITY (ton)	MIN. H. (mm)	MAX. H. (mm)	N.W. (kg)	G.W. (kg)	QTY/20' CY (pcs)
T62001	0.5	20	1300	27.0	28.0	660
T62001HW	0.5	20	2200	35.0	37.0	450



T62002



T62002W



T62003



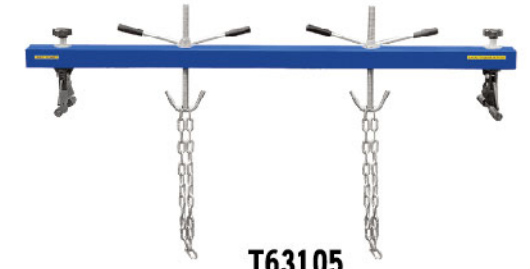
T62003W

MODEL	CAPACITY (ton)	MIN. H. (mm)	MAX. H. (mm)	N.W. (kg)	G.W. (kg)	QTY/20' CY (pcs)
T62002	0.5	20	2015	50.0	53.0	320
T62003	1	20	2015	56.0	59.0	300

Engine Support/Shop Crane



T63103



T63105

MODEL	CAPACITY (ton)	OPERATING RANGE (mm)	ADJUST H. (mm)	N.W. (kg)	G.W. (kg)	PACKAGE SIZE (mm)	QTY/20' CY (pcs)
T63103	0.3	1015-1380	0-305	17.0	18.0	1030×160×60	1100
T63105	0.5	730-1480	0-205	19.0	21.0	1540×110×110	950

Shop Crane



T62101/T62102



T62103



T62201/T62202

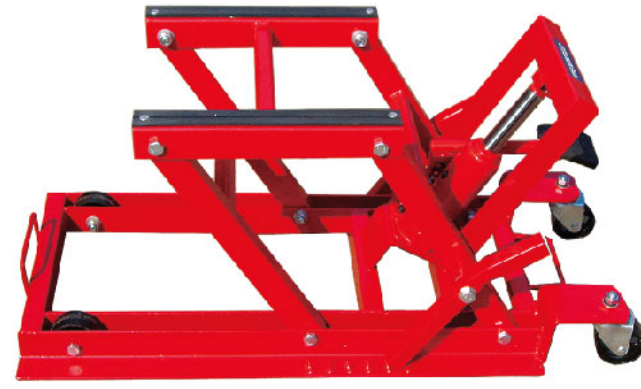
MODEL	CAPACITY (ton)	MIN. H. (mm)	MAX. H. (mm)	N.W. (kg)	G.W. (kg)	QTY/20' CY (pcs)
T62101	1	380	1800	86.0	90.0	200
T62102	2	380	2400	92.0	98.0	164
T62201	1	380	1800	76.0	79.0	205
T62202	2	380	2380	83.0	86.0	168
T62103	3	380	2200	113.0	118.0	140

Motorcycle Lift



MODEL T61001

CAPACITY: 1500 lbs
 MIN.H.: 130 mm
 MAX.H.: 430 mm
 N.W.: 32.5 kg
 G.W.: 34.5 kg
 QTY/20'CY: 480 pcs



T61001

MODEL T61002

CAPACITY: 1500 lbs
 MIN.H.: 130 mm
 MAX.H.: 440 mm
 N.W.: 34.5 kg
 G.W.: 36.5 kg
 QTY/20'CY: 450 pcs



T61002



T61004/T61005



T61006a/T61008a

MODEL T61004

CAPACITY: 800 lbs
 MIN.H.: 235 mm
 MAX.H.: 740 mm
 N.W.: 98.0 kg
 G.W.: 104.0 kg
 QTY/20'CY: 170 pcs

MODEL T61005

CAPACITY: 1000 lbs
 MIN.H.: 220 mm
 MAX.H.: 760 mm
 N.W.: 123.0 kg
 G.W.: 153.0 kg
 QTY/20'CY: 84 pcs

MODEL T61006a

CAPACITY: 800 lbs
 MIN.H.: 180 mm
 MAX.H.: 680mm
 N.W.: 107.0 kg
 G.W.: 129.0 kg
 QTY/20'CY: 80 pcs

MODEL T61008a

CAPACITY: 1000 lbs
 MIN.H.: 180 mm
 MAX.H.: 780 mm
 N.W.: 123.0 kg
 G.W.: 148.0 kg
 QTY/20'CY: 72 pcs

Hydraulic Pipe Bender



T60012



T60016

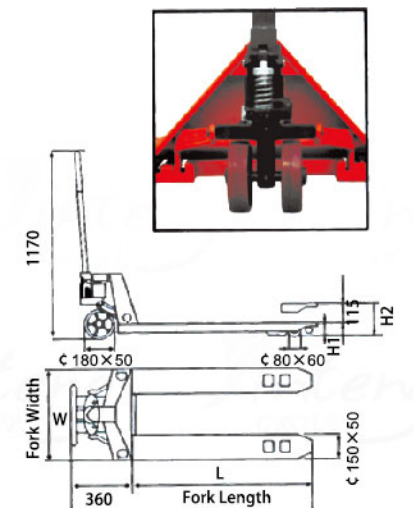
MODEL	CAPACITY (ton)	BASE DIM (mm)	N.W. (kg)	G.W. (kg)	QTY/20'CY (pcs)
T60012	12	1/2",3/4",1-1/4",1-1/2",2"	38.0	41.0	440
T60016	16	1/2",3/4",1-1/4",1-1/2",2",2-1/2",3"	68.0	72.0	250

HYDRAULIC HAND PALLET TRUCK



T80001/T80002/T80003

MODEL	T80001	T80002	T80003
CAPACITY(kg):	2000	2500	3000
MIN. FORK HEIGHT (mm):	85		
MAX. FORK HEIGHT (mm):	200		
FORK LENGTH (mm):	915/1067/1150/1220		
FORK WIDTH (mm):	520/550/685		
STEERING WHEEL (mm):	∅ 180×50		
LOAD ROLLER (mm):	∅ 80×60		
SIZE OF FORK (mm):	∅ 150×50		



Engine Stand



MODEL T63001

CAPACITY: 750 lbs
BASE DIM.: 810×700 mm
HEIGHT: 800 mm
N.W.: 19.0 kg
G.W.: 21.0 kg
QTY/20'CY: 860 pcs

T63001



T63003/63004

MODEL T63003

CAPACITY: 1250 lbs
BASE DIM.: 863×863 mm
HEIGHT: 830 mm
N.W.: 25.0 kg
G.W.: 27.0 kg
PACKAGE SIZE: 910×240×220 mm
QTY/20'CY: 660 pcs

T63002



MODEL T63002

CAPACITY: 1000 lbs
BASE DIM.: 794×813 mm
HEIGHT: 800 mm
N.W.: 22.0 kg
G.W.: 24.0 kg
QTY/20'CY: 750 pcs

MODEL T63004

CAPACITY: 1500 lbs
BASE DIM.: 863×863 mm
HEIGHT: 830 mm
N.W.: 31.0 kg
G.W.: 33.0 kg
PACKAGE SIZE: 860×280×210 mm
QTY/20'CY: 550 pcs

T63005



MODEL T63005

CAPACITY: 2000 lbs
BASE DIM.: 910×840 mm
HEIGHT: 815 mm
N.W.: 38.0 kg
G.W.: 40.0 kg
QTY/20'CY: 510 pcs



T63005F

MODEL T63005F

CAPACITY: 2000 lbs
BASE DIM.: 910×840 mm
HEIGHT: 815 mm
N.W.: 42.0 kg
G.W.: 44.0 kg
PACKAGE SIZE: 910×450×180 mm
QTY/20'CY: 380 pcs

Spring Compressor



**HYDRAULIC
T01402**

MODEL T01402

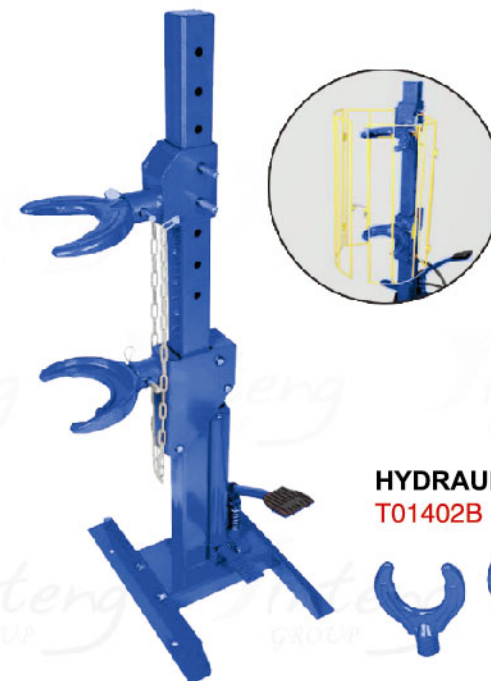
CAPACITY(ton): 1
COMPRESSED SPRING DIAMETER(mm): 400
WORKING DISTANCE(mm): 210-570
COMPRESSION LENGTH(mm): 150
N.W.(kg): 32.0
G.W.(kg): 38.0
PACKAGE SIZE(mm): 1230×300×220
QTY/20'CY(pcs): 300

MODEL T01402P

CAPACITY(ton): 1
COMPRESSED SPRING DIAMETER(mm): 400
WORKING DISTANCE(mm): 210-570
COMPRESSION LENGTH(mm): 150
N.W.(kg): 32.0
G.W.(kg): 38.0
PACKAGE SIZE(mm): 1230×300×220
QTY/20'CY(pcs): 300



**PNEUMATIC
T01402P**



**HYDRAULIC
T01402B**

MODEL T01402B

CAPACITY(ton): 1
COMPRESSED SPRING DIAMETER(mm): 400
WORKING DISTANCE(mm): 210-570
COMPRESSION LENGTH(mm): 150
N.W.(kg): 32.0
G.W.(kg): 38.0
PACKAGE SIZE(mm): 1230×300×220
QTY/20'CY(pcs): 300



T36"-1

MODEL T36"-1

PRODUCT SIZE: 914×430×90 mm
N.W.: 5.0 kg
G.W.: 6.0 kg
QTY/CARTON: 1 pcs
PACKAGE SIZE: 440×130×930 mm
QTY/40'CY: 1288 pcs

MODEL T36"-2

PRODUCT SIZE: 914×380×90 mm
N.W.: 6.3 kg
G.W.: 7.0 kg
QTY/CARTON: 3 pcs
PACKAGE SIZE: 500×390×400 mm
QTY/40'CY: 2220 pcs



T36"-2



T40"-1

MODEL T40"-1

PRODUCT SIZE: 914×430×90 mm
N.W.: 6.5 kg
G.W.: 7.5 kg
QTY/CARTON: 1 pcs
PACKAGE SIZE: 1020×440×120 mm
QTY/40'CY: 1036 pcs

MODEL T40"-2

PRODUCT SIZE: 914×430×90 mm
N.W.: 150.0 kg
G.W.: 160.0 kg
QTY/CARTON: 1 pcs
PACKAGE SIZE: 1030×440×130 mm
QTY/40'CY: 1288 pcs



T40"-2



TP-40"- 4
40" plastic creeper with magnetic part tray



TP-36"



TP-40"- 2
40" plastic creeper with LED working light



TP-40"-1



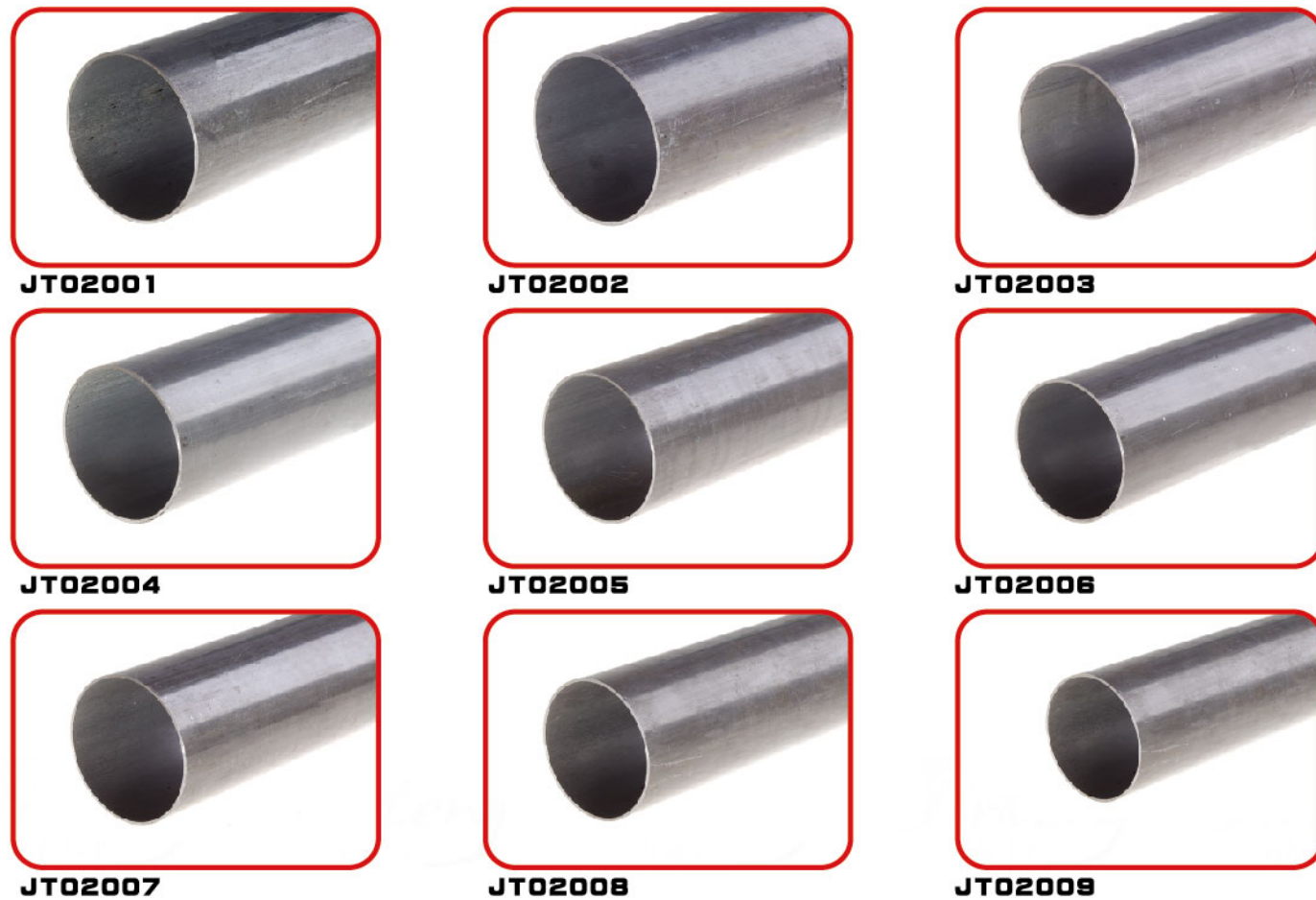
TP-38"

MODEL	MATERIAL	CASTER SIZE	PRODUCT SIZE (mm)	QTY/CARTON (pcs)	N.W. (kg)	G.W. (kg)	PACKAGE SIZE (mm)	QTY/40'CY (pcs)
TP-40"-1	HDPE	3"	1010×475×115	1	4.6	5.6	1030×500×90	1370
TP-40"-2	HDPE	3"	1010×475×115	1	5.0	6.5	1030×500×90	1370
TP-40"-4	HDPE	3"	1010×475×115	1	5.0	6.4	1030×500×90	1370
TP-38"	HDPE	3"	960×450×110	1	4.4	5.6	980×470×100	1400
TP-36"	HDPE	2.5"	910×430×110	1	3.5	4.5	930×450×95	1600

Main Features: high precision, excellent brightness, no oxidization on the outer and inner walls after heat treatment, high cleanness of inside wall. The steel tube is able to withstand high pressure. No deformation after cold bending, no crack after flaring and flattening. The complicated geometrical forming and machining can be realized. Color of steel tube: bright black. Color is homogeneously distributed on the tube surface. The tube has good property of antirust.

Main Application: to be used in hydraulic system, automobile and in the occasion where the high precision, brightness, cleanness and mechanical properties of the tube are required.

We can also meet the customers' specific needs on the appointed samples.



MODEL	OUTER DIAMETER (mm)	THE INNER DIAMETER (mm)	WALL THICKNESS (mm)
JT02001	116	111	2.5
JT02002	111.5	102	4.75
JT02003	108	103	2.5
JT02004	106	101	2.5
JT02005	101	97	2
JT02006	98	94	2
JT02007	96	92	2
JT02008	91	87	2
JT02009	89	85	2



MODEL	OUTER DIAMETER (mm)	THE INNER DIAMETER (mm)	WALL THICKNESS (mm)
JT01001	110	90	10
JT01002	91	75	8
JT01003	80	65	7.5
JT01004	72	52	10
JT01005	68	56	6
JT01006	60	50	5
JT01007	55	45	5
JT01008	52	42	5
JT01009	50	40	5
JT01010	48	40	4
JT01011	45	36	4.5
JT01012	42	36	3
JT01013	40	30	5
JT01014	38	30	4
JT01015	30	24	3