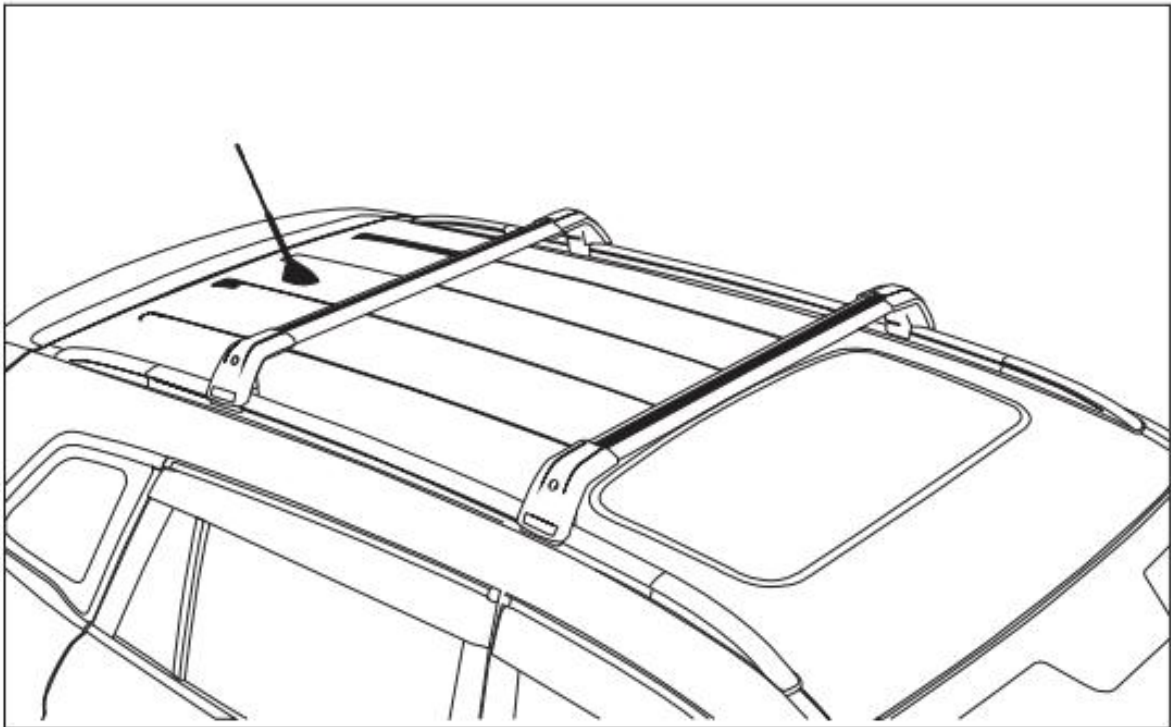


**铁夫**  
**TIEFU**

**TIEFU – Shark Car Roof Rack Cross Bar**    **USD\$21/PAIRS**



**① Application:**

It is suitable for various car with the integrated car roof bar. Shark roof rack mainly installed on the car for loading, roof car roof box, luggage frame, bicycle frame, snowboard frame, kayaking, etc.

**Car Models:**

Audi Q3 Audi Q7 Audi Q5,Haval H7,Haval M6,Haval H5 Harvard H6 sports model Magic speed S6, Haval H6. BMW X5,BMW 281 Sport, Porsche Maca ,Benz GLC, Benz GLA, BMW X4, BMW X1 BMW X3, BMW X5, Volvo V60 Volvo XC60,Cadillac XT5

**② Features:**

- Excellent impact resistance ;
- Anti-Theft with lock

# 铁夫 TIEFU

- Oval design-Wind noise low resistance;
- Beautiful and practical;
- Aluminum material -Durable;
- Adjustable length -4 cm of Aluminum bar.

## ③ Specifications:

|                           |   |
|---------------------------|---|
| Model                     | Shark Car Roof Rack                               |
| Bearing Ability           | 150kg/rack  |
| Length of Aluminium Bar   | 80cm,85cm,90cm,95cm,98cm                          |
| Length Between Two Clamps | 95-103cm,100-108cm, 105-113cm,110-118cm,113-121cm |
| Net Weight                | About 5kg-6kg                                     |
| Color                     | Color: ,black , silver                            |
| Product Material          | PA6 locking cap+Aluminum tube oxidation           |
| Packing size              | 1230*230*120MM 1110*230*120MM                     |
| Gross Weight              | About 6-7kg                                       |

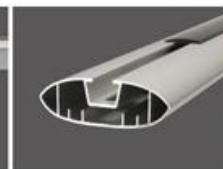
## SHARK CAR ROOF RACK CROSS BAR CAR WITH ORIGINAL INTEGRATED ROOF BAR

|                               |        |         |         |         |         |
|-------------------------------|--------|---------|---------|---------|---------|
| LENGTH OF ALUMINIUM TUBE (cm) | 80     | 85      | 90      | 95      | 98      |
| LENGTH BETWEEN CLAMPS (cm)    | 95-103 | 100-108 | 105-113 | 110-118 | 113-121 |

N.W5-6kg G.W6-7kg



CLAMP PA6



ALUMINUM TUBE OXIDATION



SINGLE BAR LOAD MAX 150kg



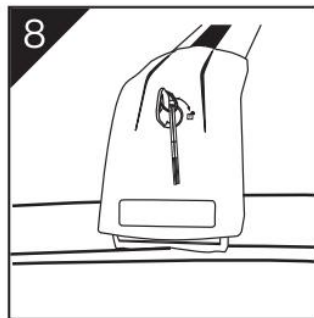
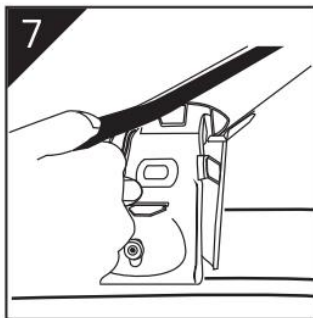
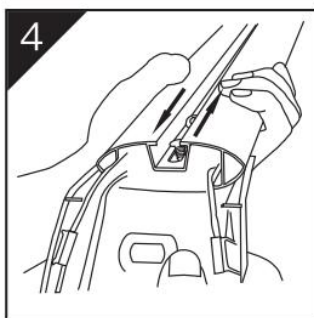
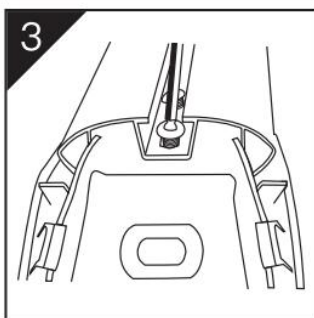
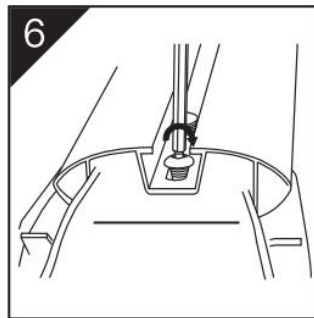
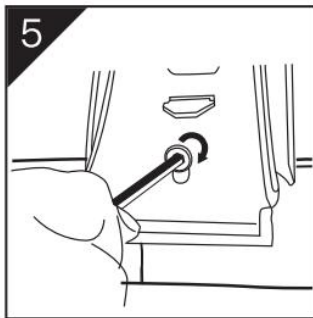
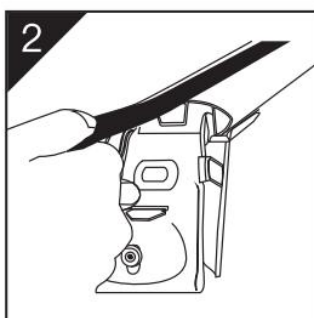
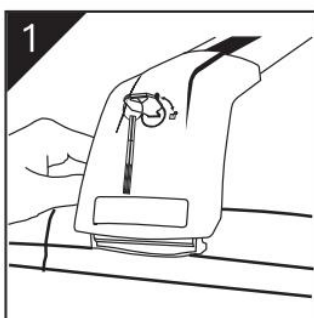
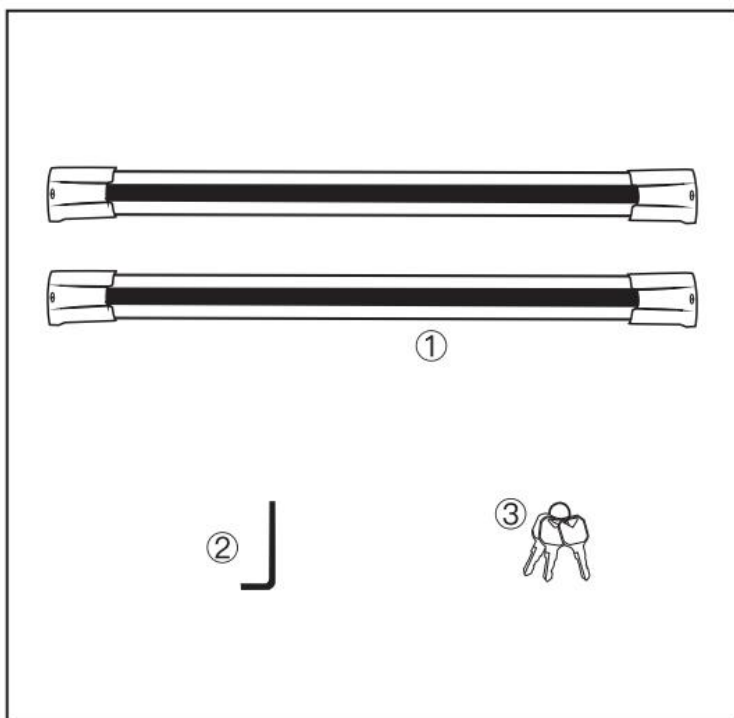
## Shark Roof Rack Cross Bar Details





## Accessory Parts

- ① Anti-Theft locking keys
- ② Hexagon to adjust:
  - length of the aluminium bar
  - the width of chip to fit the raised bar
- ③ Manual instruction



**铁夫**  
**TIEFU**

**TIEFU – Crocodile Car Roof Rack Cross Bar USD\$21/PAIRS**



Light radian fit for car sunroof

**① Application:**

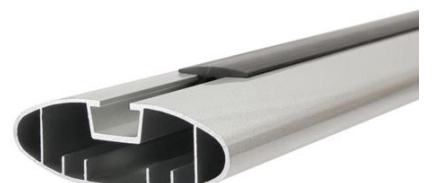
It is suitable for various car with the raised car roof bar. Crocodile roof rack mainly installed on the car for loading, roof car roof box, luggage frame, bicycle frame, snowboard frame, kayaking, etc.

**Suitable car models**

HAVAL H6 COUPE SPORT,12 HAVAL H6,05 Prado,  
HAVAL H9,Benz GL450,Benz GL400, Honda CRV Pajero,  
Toyota RAV4, Toyota Overbearing, Ford Maverick,  
Toyota Overbearing Prado Toyota Yizhi.

**② Features:**

- Excellent impact resistance ;
- Crack resistance; weather resistance;Heat resistant, cold resistant and durable resistant.
- Oval design-Wind noise low resistance,
- Beautiful and practical,
- Aluminum material -Durable



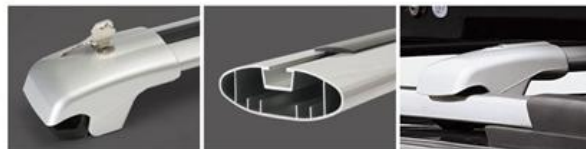
|                           |  |
|---------------------------|--|
| Model                     | Crocodile Car Roof Rack  |
| Bearing Ability           | 150kg/rack   |
| Length of Aluminium Bar   | 70cm,150cm,80cm,85cm,90cm,95cm,100cm,105cm,110cm,110cm                               |
| Length Between Two Clamps | 82-88cm,87-93cm,92-103cm,102-108cm,107-113cm,112-118cm,117-123cm,122-128cm,132-138cm |
| Net Weight                | About 4kg-5kg  |
| Color                     | Color: ,black , silver   |
| Product Material          | ABS locking cap + aluminum tube spray paint  |
| Packing size              | 1070*240*110MM - 1270*240*110MM  |
| Gross Weight              | About 5-6kg  |

## CROCODILE CAR ROOF RACK CROSS BAR

### CAR WITH ORIGINAL SEPARATED ROOF RAIL

|                               |       |       |       |        |         |         |         |         |         |         |
|-------------------------------|-------|-------|-------|--------|---------|---------|---------|---------|---------|---------|
| LENGTH OF ALUMINIUM TUBE (cm) | 70    | 75    | 80    | 85     | 90      | 95      | 100     | 105     | 110     | 120     |
| LENGTH BETWEEN CLAMPS (cm)    | 82-88 | 87-93 | 92-96 | 97-103 | 102-108 | 107-113 | 112-118 | 117-123 | 122-128 | 132-138 |

N.W4-5kg G.W5-6kg



CLAMP ABS

ALUMINUM  
TUBE  
PAINTING

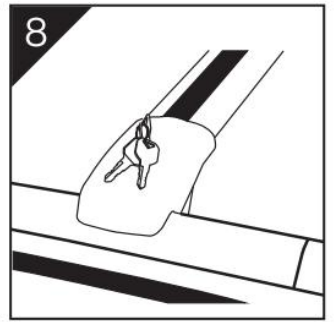
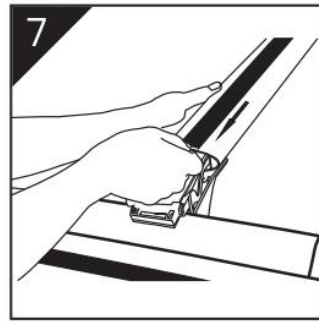
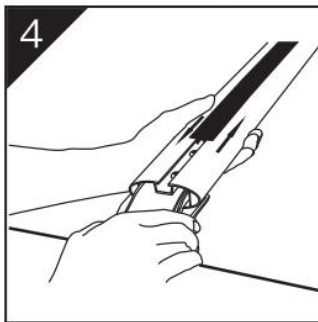
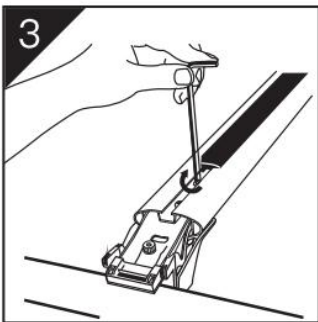
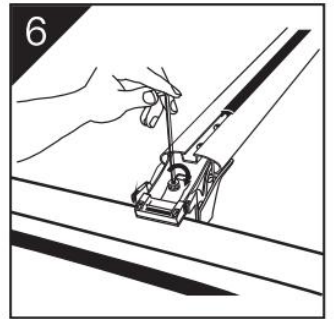
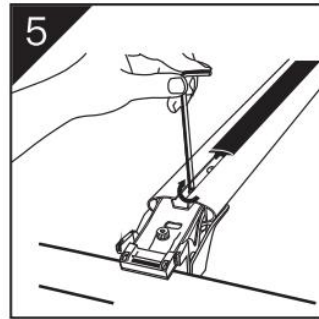
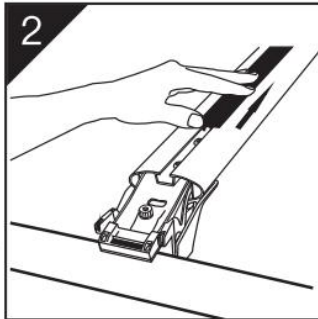
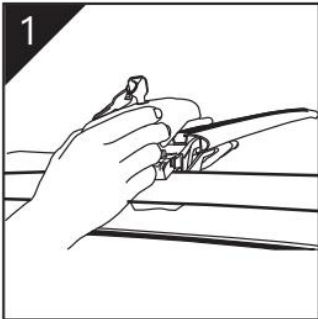
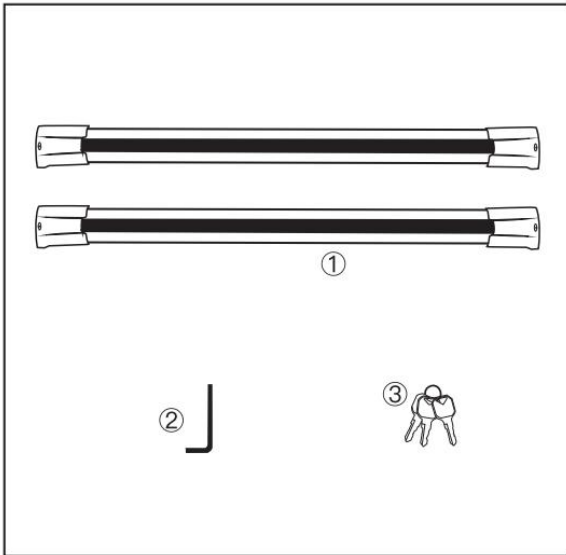
SINGLE BAR  
LOAD MAX .

150kg

铁夫  
TIEFU



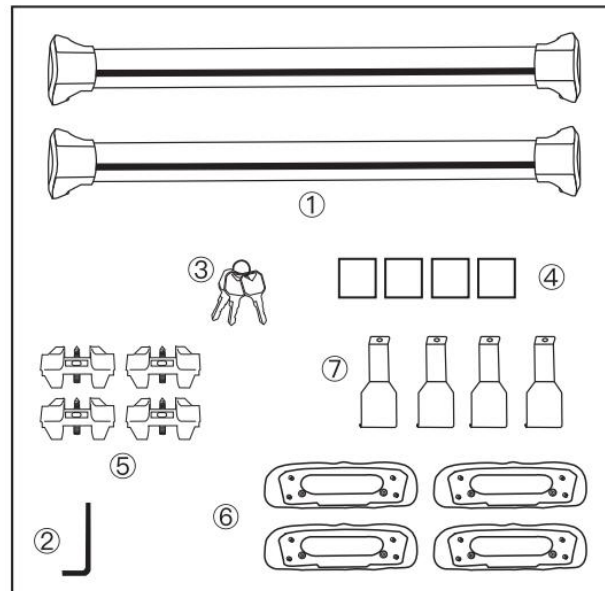
# 铁夫 TIEFU





**铁夫**  
**TIEFU**

**TIEFU – Special Car Roof Rack    USD\$30/PAIRS**



**1 Application:**

It is suitable for special car without car roof bar such as Chevrolet Cruze, Cadillac ATSL, KIA K5, Santana, Excelle HRV, Focus, Nissan JunYi MPV etc. .

Special car roof rack mainly installed on the car for loading, roof car roof box, luggage frame, bicycle frame, snowboard frame, kayaking, etc.

**2 Features:**

- Excellent impact resistance ;
- Crack resistance; weather resistance; Heat resistant, cold resistant and durable resistant.
- Oval design-Wind noise low resistance,
- Beautiful and practical,
- Aluminum material -Durable

**3 Specifications:**

|                           |   |                |
|---------------------------|---|----------------|
| Model                     | Special Car Roof Rack                                       |                |
| Bearing Ability           | 180kg/rack  |                |
| Length of Aluminium Bar   | 85cm,90cm,95cm,100cm,105cm,110cm                            |                |
| Length Between Two Clamps | 110-118cm,115-123cm,120-128cm,125-133cm,130-138cm,135-143cm |                |
| Net Weight                | About 5kg-6kg   |                |
| Color                     | Color ,black etc  |                |
| Product Material          | PA66 locking cap+ Aluminum tube oxidation                   |                |
| Packing size              | 1280*160*170MM  | 1130*160*170MM |
| Gross Weight              | About 6kg-7kg   |                |

## SPECIAL CAR ROOF RACK CROSS BAR

### UNIVERSAL SPECIAL ROOF RACK CROSS BAR

|                               |         |         |         |         |         |         |
|-------------------------------|---------|---------|---------|---------|---------|---------|
| LENGTH OF ALUMINIUM TUBE (cm) | 85      | 90      | 95      | 100     | 105     | 110     |
| LENGTH BETWEEN CLAMPS (cm)    | 110-118 | 115-123 | 120-128 | 125-133 | 130-138 | 135-143 |

N.W5-6kg G.W6-7kg



CLAMP PA6

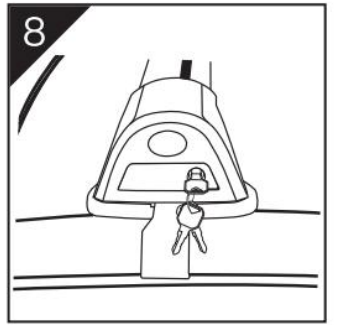
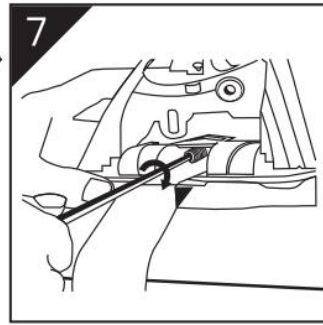
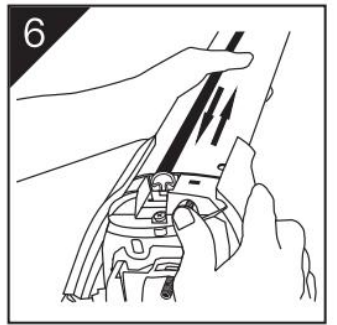
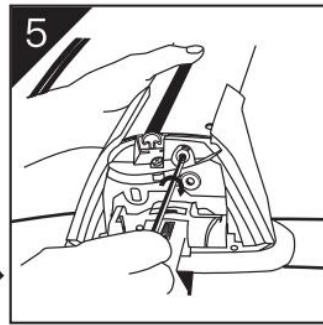
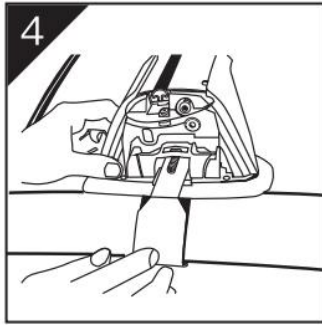
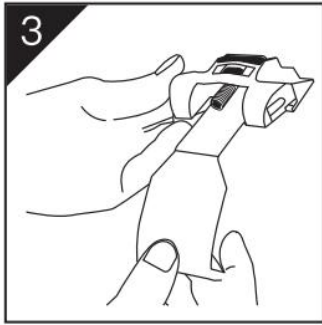
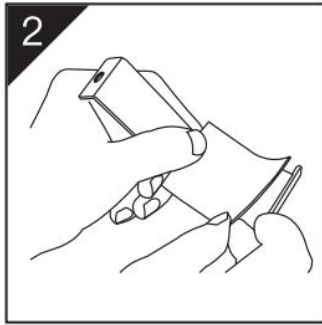
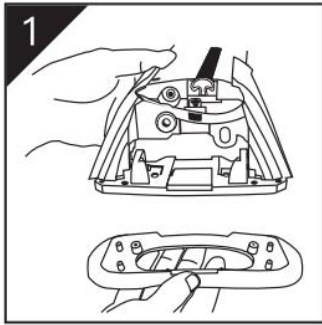


ALUMINUM TUBE OXIDATION



SINGLE BAR LOAD MAX .

150kg

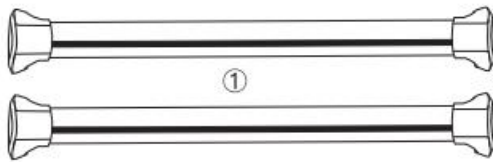
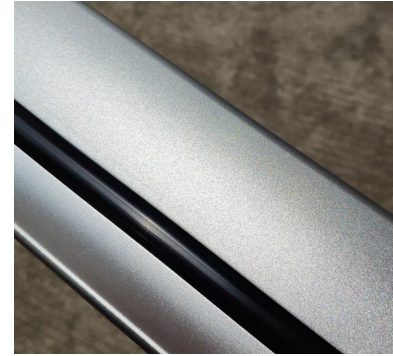


铁夫  
TIEFU



**铁夫**  
**TIEFU**

**TIEFU – Special Cross Bar for Outback USD\$30/PAIRS**



**1 Application:**

It is suitable for special car integrated car roof bar like OUTBACK . Special car roof rack mainly installed on the car for loading, roof car roof box, luggage frame, bicycle frame, snowboard frame, kayaking, etc.

**2 Features:**

- Excellent impact resistance ;
- Crack resistance; weather resistance;Heat resistant, cold resistant and durable resistant.
- Oval design-Wind noise low resistance,
- Beautiful and practical,
- Aluminum material -Durable

**3 Specifications:**

|                           |   |
|---------------------------|---|
| Model                     | Special Car Roof Rack for OUTBACK                           |
| Bearing Ability           | 150kg/rack  |
| Length of Aluminium Bar   | 85CM 90CM 95CM 100CM 105CM 110CM                            |
| Length Between Two Clamps | 110-118cm,115-123cm,120-128cm,125-133cm,130-138cm,135-143cm |
| Net Weight                | About 5kg-6kg   |
| Color                     | Color: ,black , silver                                      |
| Product Material          | PA66 locking cap+ Aluminum tube oxidation                   |
| Packing size              | 1280*160*170MM 1130*160*170MM                               |
| Gross Weight              | About 6kg-7kg   |

**铁夫**  
**TIEFU**

# SPECIAL CAR ROOF RACK CROSS BAR

## UNIVERSAL SPECIAL ROOF RACK CROSS BAR

|                               |         |         |         |         |         |         |
|-------------------------------|---------|---------|---------|---------|---------|---------|
| LENGTH OF ALUMINIUM TUBE (cm) | 85      | 90      | 95      | 100     | 105     | 110     |
| LENGTH BETWEEN CLAMPS (cm)    | 110-118 | 115-123 | 120-128 | 125-133 | 130-138 | 135-143 |

N.W5-6kg G.W6-7kg



CLAMP PA6

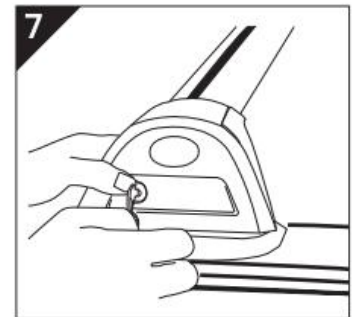
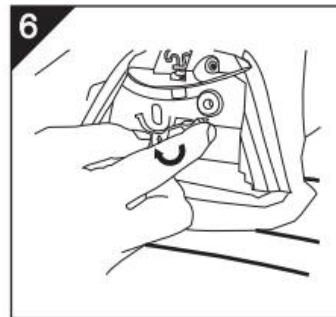
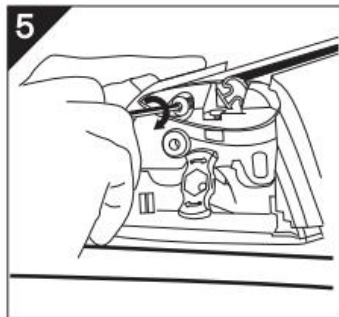
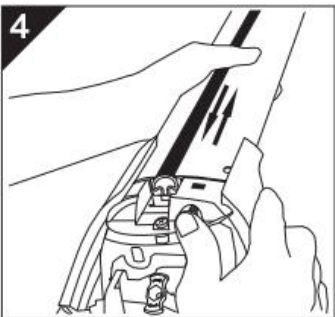
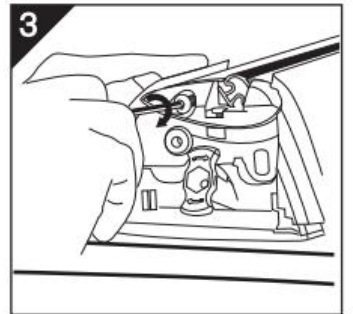
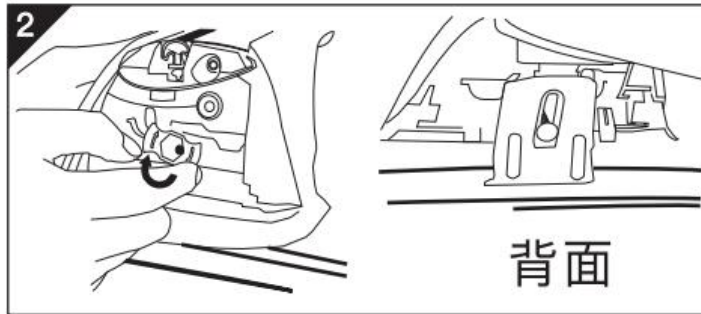
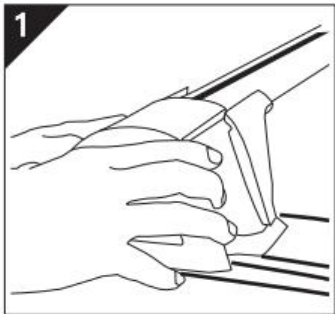


ALUMINUM TUBE OXIDATION



SINGLE BAR LOAD MAX 150kg



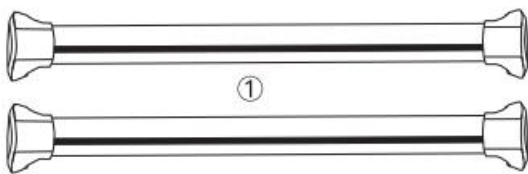
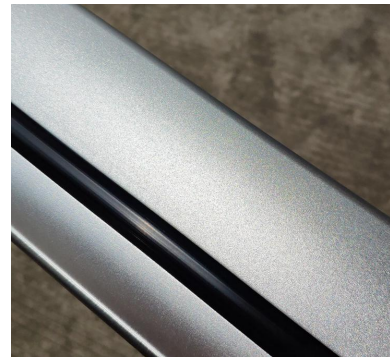


铁夫  
TIEFU





TIEFU – Car Roof Rack Cross Bar for Car Roof with Preserved Hole USD\$30/PAIRS



① Application:

It is suitable for special car with integrated car roof bar and there is the preserved hole on each bar. For Example, Cadillac XT5, HONDA CRV, ETC.

Special car roof rack mainly installed on the car for loading, roof car roof box, luggage frame, bicycle frame, snowboard frame, kayaking, etc.

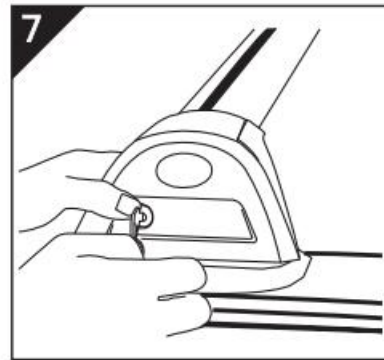
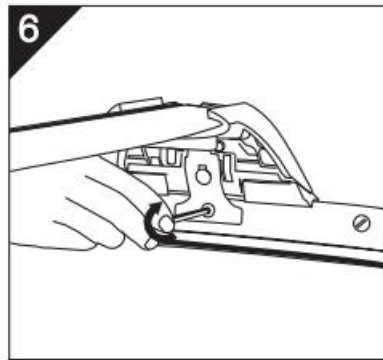
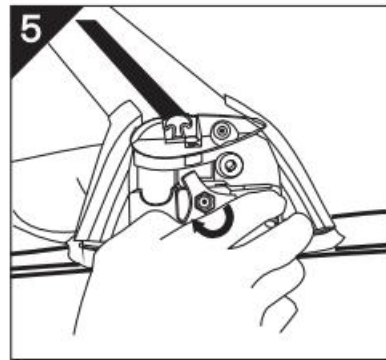
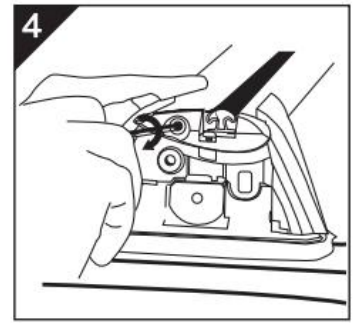
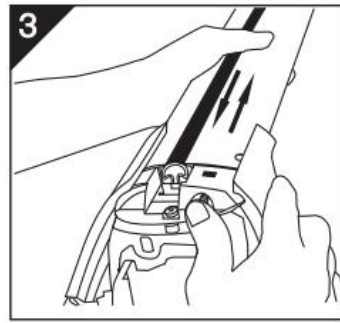
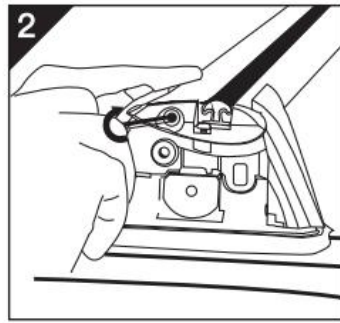
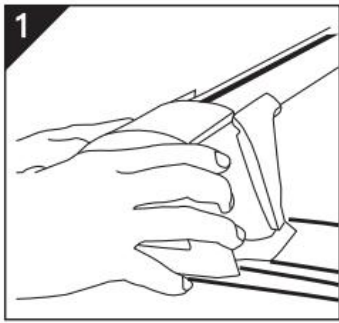
② Features:

- Excellent impact resistance ;
- Crack resistance; weather resistance; Heat resistant, cold resistant and durable resistant.
- Oval design-Wind noise low resistance,
- Beautiful and practical,
- Aluminum material -Durable

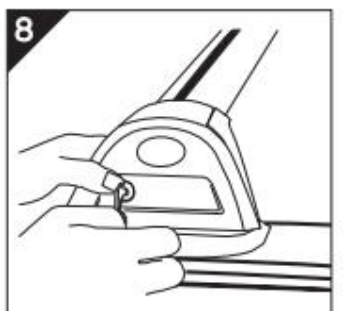
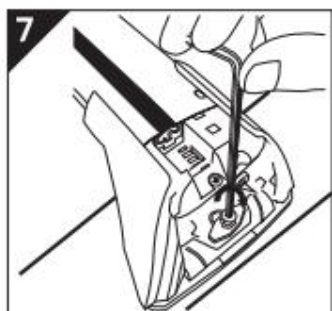
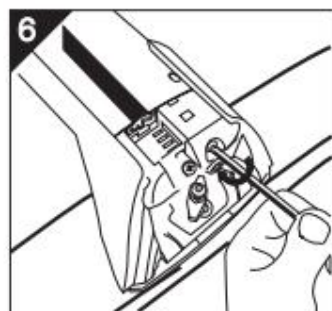
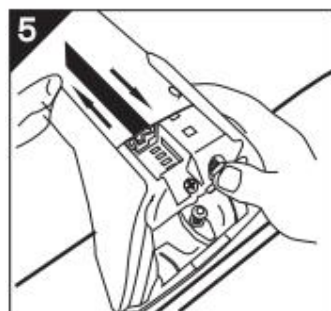
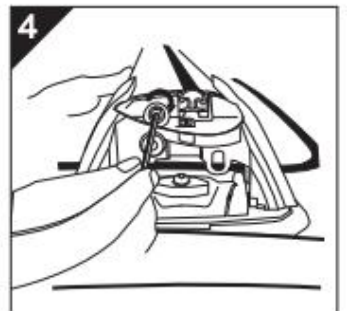
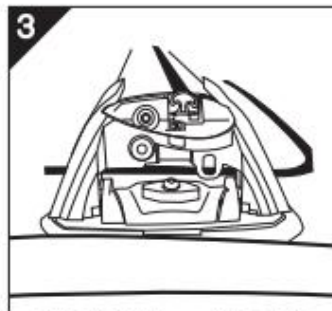
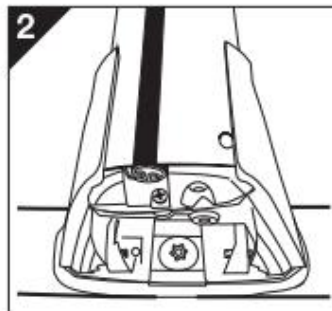
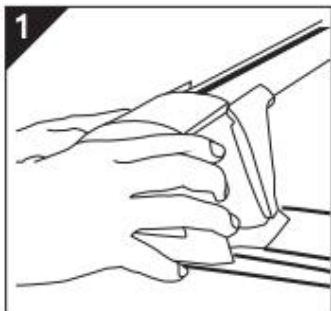
|                           |  |
|---------------------------|--|
| Model                     | Special Car Roof Rack for Preserved Hole Bar             |
| Bearing Ability           | 150kg/rack   |
| Length of Aluminium Bar   | 85CM 90CM 95CM 100CM 105CM 110CM                         |
| Length Between Two Clamps | 91-99cm,96-104cm,101-109cm,106-114cm,111-119cm,116-124cm |
| Net Weight                | About 5kg-6kg  |
| Color                     | Color: ,black , silver                                   |
| Product Material          | PA66 locking cap+ Aluminum tube oxidation                |
| Packing size              | 1280*160*170MM 1130*160*170MM                            |
| Gross Weight              | About 6kg-7kg  |

### Inside preserved hole on bar



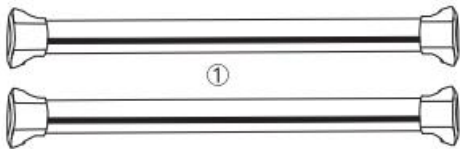


**Top preserved hole on car bar**



**铁夫**  
**TIEFU**

**TIEFU – Special Universal Car Roof Rack Cross Bar USD\$30/PAIRS**



**① Application:**

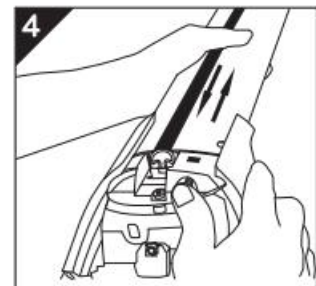
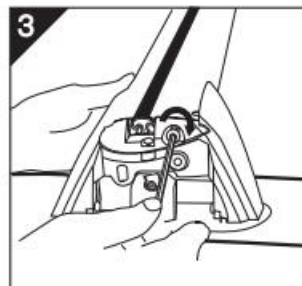
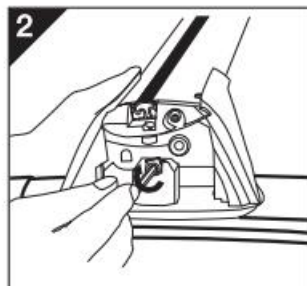
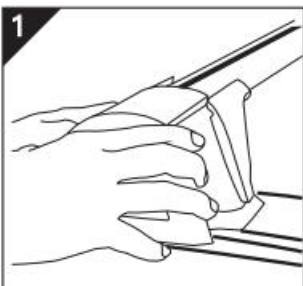
It is suitable for car with integrated car roof bar and raised car roof rack . For Example,OUTLANDER EX, Haval H6 COUPE. This universal one has the function as both shark rack and the crocodile rack as below .

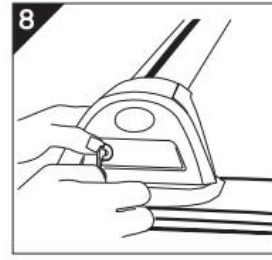
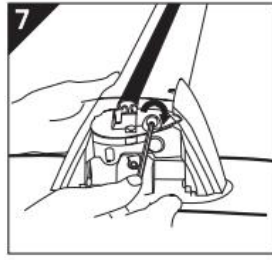
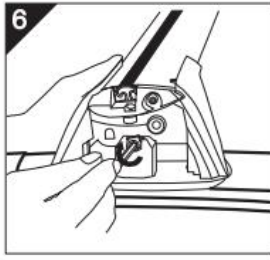
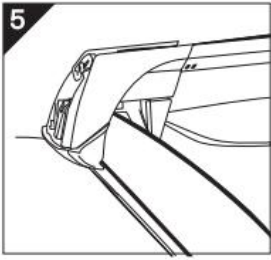


Special car roof rack mainly installed on the car for loading, roof car roof box, luggage frame, bicycle frame, snowboard frame, kayaking, etc.

**② Features:**

- Excellent impact resistance ;
- Crack resistance; weather resistance;Heat resistant, cold resistant and durable resistant.
- Oval design-Wind noise low resistance,
- Beautiful and practical,
- Aluminum material -Durable





**③ Specifications:**

|                           |   |
|---------------------------|---|
| Model                     | Special Universal Car Roof Rack Cross bar               |
| Bearing Ability           | 150kg/rack  |
| Length of Aluminium Bar   | 85CM 90CM 95CM 100CM 105CM 110CM 120CM                  |
| Length Between Two Clamps | 88-96cm,93-101cm,98-106cm,103-111cm,108-116cm,113-121cm |
| Net Weight                | About 5kg-6kg   |
| Color                     | Color: ,black , silver                                  |
| Product Material          | PA66 locking cap+ Aluminum tube oxidation               |
| Packing size              | 1280*160*170MM 1130*160*170MM                           |
| Gross Weight              | About 6kg-7kg   |

## Standard Package

①With English version for export ②keys and Allen wrench ③Manual instruction



