

Aftermarket Wheels in Jun2018



JH00989



JH00990



JH00991

SIZE	ET	PCD	HOLE	Ctr.Hole	SIZE	ET	PCD	HOLE	Ctr.Hole	SIZE	ET	PCD	HOLE	Ctr.Hole
17*7.5F	25-45	100-114.3	4/5H		17*7	25-35	100-114.3	4/5H		17*7	25-35	100-114.3	4/5H	
17*7.5R	25-35	100-114.3	4/5H											



JH00988



JH00985



JH00981

SIZE	ET	PCD	HOLE	Ctr.Hole	SIZE	ET	PCD	HOLE	Ctr.Hole	SIZE	ET	PCD	HOLE	Ctr.Hole
17*7.5	38	100-114.3	4/5H		16*7	35	100-114.3	5H		17*8	30-35	100-114.3	5H	
										17*9	30-35	100-114.3	5H	
										18*8.5	30-35	100-114.3	5H	
										18*9.5	30-35	100-114.3	5H	



JH01076



JH01080



JH01073

SIZE	ET	PCD	HOLE	Ctr.Hole	SIZE	ET	PCD	HOLE	Ctr.Hole	SIZE	ET	PCD	HOLE	Ctr.Hole
15*7	35	100	4H		12*4	-3	101.6	4H		18*8	35-45	100-120	5H	
					13*4.5	-3	101.6	4H						
					14*6	0	114.3	5/6H						
					15*6	0	114.3-139.7	5/6H						
					16*6	0	139.7/165.1	5/6/8H						



JH00942



JH01069



JH01065

SIZE	ET	PCD	HOLE	Ctr.Hole	SIZE	ET	PCD	HOLE	Ctr.Hole	SIZE	ET	PCD	HOLE	Ctr.Hole
20*8.5	35	100-120	5H		14*10	-38	156.1	4H		15*7	35	100-114.3	4/8H	
20*10	38-40	100-120	5H		14*7	4	137/156.1	4H						



JH01064



JH01077



JH01037

SIZE	ET	PCD	HOLE	Ctr.Hole	SIZE	ET	PCD	HOLE	Ctr.Hole	SIZE	ET	PCD	HOLE	Ctr.Hole
15*7	35	100-114.3	4/8H		10*7	-4	101.6	4H		14*8	-9	156.2	4H	
17*8	35	100-114.3	4/5/8H							14*7	4	156.2	4H	



JH01051



JH01052



JH01053

SIZE	ET	PCD	HOLE	Ctr.Hole	SIZE	ET	PCD	HOLE	Ctr.Hole	SIZE	ET	PCD	HOLE	Ctr.Hole
17*8	15-35	100-114.3	5H		15*7	10-30	100-114.3	4/5/8/10H		18*9.5	12-38	100-120	5H	
17*9	15-40	100-114.3	5H		17*8	10-25	100-114.3	4/5/8/10H		18*8.5	30-45	100-120	5H	
18*8.5	15-35	100-114.3	5H											
18*9.5	24-38	100-114.3	5H											



JH01048



JH01049



JH01050

SIZE	ET	PCD	HOLE	Ctr.Hole	SIZE	ET	PCD	HOLE	Ctr.Hole	SIZE	ET	PCD	HOLE	Ctr.Hole
18*8.5	35-40	108-120	5H		15*8	25	100-114.3	4H		17*8	15-35	100-114.3	5H	
20*8.5	35-40	108-120	5H							17*9	15-40	100-114.3	5H	
										18.8.5	15-35	100-114.3	5H	
										18*9.5	24-38	100-114.3	5H	



JH01041



JH01046



JH01042

SIZE	ET	PCD	HOLE	Ctr.Hole	SIZE	ET	PCD	HOLE	Ctr.Hole	SIZE	ET	PCD	HOLE	Ctr.Hole
15*7	20-30	100-114.3	4/5H		17*7.5	35-40	108-120	5H		13*5.5	28	100-114.3	4/5/8/10H	
13*5.5	30	100-114.3	4/8H		18*8.5	35-40	108-120	5H		14*6	10	100-114.3	4/5/8/10H	
14*6	10-30	100-114.3	4/8H							15*7	15	100-114.3	4/5/8/10H	
16*7	20-30	100-114.3	4/8H							16*7	15	100-114.3	4/5/8/10H	



JH01029



JH01030



JH01027

SIZE	ET	PCD	HOLE	Ctr.Hole	SIZE	ET	PCD	HOLE	Ctr.Hole	SIZE	ET	PCD	HOLE	Ctr.Hole
14*5.5	22	100-114.3	4/5/8H		18*8.5	38	100-114.3	5H		14*5.5	22	100-114.3	4/5/8H	
15*6.5	30	100-114.3	4/5/8H		18*9.5	35	100-114.3	5H		15*6.5	30	100-114.3	4/5/8H	
16*7	30	100-114.3	4/5/8H							16*7	30	100-114.3	4/5/8H	
										17*7	30	100-114.3	4/5/8H	



JH01019



JH01020



JH01038

SIZE	ET	PCD	HOLE	Ctr.Hole	SIZE	ET	PCD	HOLE	Ctr.Hole	SIZE	ET	PCD	HOLE	Ctr.Hole
17*8	35	100-114.3	4/5H		17*8	35	100-114.3	4/5H		14*8	-9	156.2	4H	
17*9	30	100-120	5H		17*9	30	100-120	5H		14*7	4	156.2	4H	
18*8.5	35	100-120	5H		18*8.5	35	100-120	5H						
18*9.5	30	100-120	5H		18*9.5	30	100-120	5H						



JH00992



JH00993



JH00994

SIZE	ET	PCD	HOLE	Ctr.Hole	SIZE	ET	PCD	HOLE	Ctr.Hole	SIZE	ET	PCD	HOLE	Ctr.Hole
18*10.5	20	100-114.3	5H		15*7	0	114.3-120.65	5H		15*7	-16	114.3-127	5H	
18*9.5	20-35	100-114.3	5H		15*8	0	114.3-120.65	5H		15*8	0	114.3-127	5H	
					17*7	0	114.3-120.65	5H		17*7	0	114.3-127	5H	
					17*8	0/15	114.3-120.65	5H		17*8	0	114.3-127	5H	
					17*9	0/12	114.3-120.65	5H		17*9	0/+12	114.3-127	5H	



JH00979



JH00980



JH00967

SIZE	ET	PCD	HOLE	Ctr.Hole	SIZE	ET	PCD	HOLE	Ctr.Hole	SIZE	ET	PCD	HOLE	Ctr.Hole
15*7	20	100-114.3	4/5/8H		14*6	30-38	100-114.3	4/5/8H		15*8	25	114.3	5H	
					15*6.5	30-40	100-114.3	4/5/8H						



JH00973



JH00974



JH00975

SIZE	ET	PCD	HOLE	Ctr.Hole	SIZE	ET	PCD	HOLE	Ctr.Hole	SIZE	ET	PCD	HOLE	Ctr.Hole
20*8.5	15-35	112-120	5H		20*8.5	15-35	112-120	5H		20*8.5	15-35	112-120	5H	
22*9	18-35	112-120	5H		22*8.5	34	112-120	5H		22*8.5	34	112-120	5H	
					22*9.5	15-25	115-139.7	5/6H		22*9.5	15-25	115-139.7	5/6H	



JH00970



JH00971



JH00972

SIZE	ET	PCD	HOLE	Ctr.Hole	SIZE	ET	PCD	HOLE	Ctr.Hole	SIZE	ET	PCD	HOLE	Ctr.Hole
20*8.5	15-35	100-120	5H		20*8.5	15-35	100-120	5H		20*8.5	15-35	100-120	5H	
20*10	20-45	100-120	5H		22*8.5	34	100-120	5H		22*8.5	34	100-120	5H	
22*9	18-35	100-120	5H		22*9.5	15-25	115-139.7	5/6H		22*9.5	15-25	115-139.7	5/6H	
22*10.5	25-45	100-120	5H		24*9	15-25	115-139.7	5/6H		24*9	18-32	115-139.7	5/6H	



JH00963



JH00968



JH00926

SIZE	ET	PCD	HOLE	Ctr.Hole	SIZE	ET	PCD	HOLE	Ctr.Hole	SIZE	ET	PCD	HOLE	Ctr.Hole
15*7.0	38-30	100-114.3	4/5/8H		20*8.5	15-35	100-120	5H		13*5.5	35-42	100-114.3	4/5/8H	
17*7.5	42-35	100-114.3	4/5/8H		22*8.5	34	100-120	5H		14*6	35-42	100-114.3	4/5/8H	
					22*9.5	15-25	115-139.7	5/6H		15*6.5	25-42	100-114.3	4/5/8H	
					24*9	18-32	115-139.7	5/6H		16*6.5	35-42	100-114.3	4/5/8H	
										17*7.5	35-42	100-114.3	5/8/10H	
										18*8	35-42	100-114.3	5/8/10H	



JH06037



JH00961



JH00962

SIZE	ET	PCD	HOLE	Ctr.Hole	SIZE	ET	PCD	HOLE	Ctr.Hole	SIZE	ET	PCD	HOLE	Ctr.Hole
19*8.5	35	100-130	5H	73.1-87.1	15*7	48-30	100	4H		15*7	38-30	100-114.3	4/5/8H	
20*8.5	35	100-130	5H	73.1-87.1	17*8	48-30	100-114.3	4/5/8H		17*7.5	42-35	100-114.3	4/5/8H	
22*9	30	100-130	5H	73.1-87.1										



JH06036



JH06029



JH06030

SIZE	ET	PCD	HOLE	Ctr.Hole	SIZE	ET	PCD	HOLE	Ctr.Hole	SIZE	ET	PCD	HOLE	Ctr.Hole
19*8.5	35	100-130	5H	73.1-87.1	18*8	40-42	120	5H	67.1-74.1	18*8	38-40	120	5H	67.1-74.1
20*8.5	35	100-130	5H	73.1-87.1										
22*9	30	100-130	5H	73.1-87.1										



JH06031



JH06032



JH06033

SIZE	ET	PCD	HOLE	Ctr.Hole	SIZE	ET	PCD	HOLE	Ctr.Hole	SIZE	ET	PCD	HOLE	Ctr.Hole
18*8	42	120	5H	67.1-74.1	18*8	42	120	5H	67.1-74.1	20*8	48	114.3-120	5H	64.1-72.6



JH06039



JH06067



JH06041

SIZE	ET	PCD	HOLE	Ctr.Hole	SIZE	ET	PCD	HOLE	Ctr.Hole	SIZE	ET	PCD	HOLE	Ctr.Hole
15*7	35-38	100-114.3	4/5H	73.1	15*7	8	108-127	5H	70.6	19*8.5	35-38	100-120	4/5H	57.1-74.2
16*7	35-38	100-114.3	4/5H	73.1						19*9.5	30-35	100-120	4/5H	57.1-74.2
17*8	35-38	100-114.3	4/5H	73.1						18*9.5	30-35	100-114.3	4/5H	73.1
18*8.5	35-38	100-120	4/5H	57.1-74.2						18*8.5	35-38	100-120	4/5H	57.1-74.2



JH06042



JH06043



JH06049

SIZE	ET	PCD	HOLE	Ctr.Hole	SIZE	ET	PCD	HOLE	Ctr.Hole	SIZE	ET	PCD	HOLE	Ctr.Hole
18*8.5	30-35	100-114.3	4/5H	73.1	18*8.5	30-35	100-114.3	4/5H	73.1	15*7	40	100	4H	73.1
18*9.5	35-38	100-120	4/5H	57.1-74.2	18*9.5	35-38	100-120	4/5H	57.1-74.2	15*8	20	100	4H	73.1
19*8.5	35-38	100-120	4/5H	57.1-74.2	19*8.5	35-38	100-120	4/5H	57.1-74.2	17*8	35-38	100-114.3	4/5H	73.1
19*9.5	30-35	100-120	4/5H	57.1-74.2	19*9.5	30-35	100-120	4/5H	57.1-74.2	18*8.5	35-38	100-120	4/5H	57.1-74.2



JH06044



JH06045



JH06085

SIZE	ET	PCD	HOLE	Ctr.Hole	SIZE	ET	PCD	HOLE	Ctr.Hole	SIZE	ET	PCD	HOLE	Ctr.Hole
15*7	35-38	100-114.3	4/5H	73.1	15*7	40	100	4H	73.1	18*8.5	30-35	100-114.3	4/5H	73.1
16*7	35-38	100-114.3	4/5H	73.1	15*8	20	100	4H	73.1	18*9.5	35-38	100-120	4/5H	57.1-74.2
17*8	35-38	100-114.3	4/5H	73.1						19*8.5	35-38	100-120	4/5H	57.1-74.2
18*8.5	35-38	100-120	4/5H	57.1-74.2						19*9.5	30-35	100-120	4/5H	57.1-74.2



JH06046



JH06047



JH06048

SIZE	ET	PCD	HOLE	Ctr.Hole	SIZE	ET	PCD	HOLE	Ctr.Hole	SIZE	ET	PCD	HOLE	Ctr.Hole
17*7	38	100-114.3	8/10H	56.1-73.1	15*7	35-38	100-114.3	4/5H	73.1	16*7	35-38	100-114.3	4/5	73.1
18*8	43	100-114.3	8/10H	56.1-73.1	16*7	35-38	100-114.3	4/5H	73.1	17*8	35-38	100-114.3	4/5	73.1
					17*8	35-38	100-114.3	4/5H	73.1	18*8.5	35-38	100-120	4/5	57.1-74.2
					18*8.5	35-38	100-120	4/5H	57.1-74.2					



JH06050



JH06051



JH06052

SIZE	ET	PCD	HOLE	Ctr.Hole	SIZE	ET	PCD	HOLE	Ctr.Hole	SIZE	ET	PCD	HOLE	Ctr.Hole
18*8	15-35	100-120	5H	56.1-73.2	20*8.5	15-35	108-130	5H	56.1-73.2	20*8.5	15-45	108-130	5H	56.1-73.2
20*8.5	15-35	108-130	5H	56.1-73.2	20*10	15-45	108-130	5H	56.1-73.2	20*10	15-45	108-130	5H	56.1-73.2
20*10	15-45	108-130	5H	56.1-73.2	22*8.5	15-35	108-130	5H	56.1-73.2					
					22*10	15-40	108-130	5H	66.56-72.56					



JH06053



JH06054



JH06055

SIZE	ET	PCD	HOLE	Ctr.Hole	SIZE	ET	PCD	HOLE	Ctr.Hole	SIZE	ET	PCD	HOLE	Ctr.Hole
20*8.5	15-45	108-130	5H	56.1-73.2	18*8.5	15-40	100-120	5H	56.1-74.2	18*8.5	15-40	100-120	5H	56.1-74.2
20*10	15-45	108-130	5H	56.1-73.2	20*8.5	15-35	108-130	5H	56.1-73.2	20*8.5	15-35	108-120	5H	56.1-73.2
					20*10	15-45	108-130	5H	56.1-73.2	20*10	15-45	108-120	5H	56.1-73.2
					22*8.5	15-45	108-130	5H	56.1-73.2	22*8.5	15-35	108-120	5H	56.1-73.2
					22*10	15-40	112-120	5H	66.56-72.56	22*10	15-35	108-120	5H	56.1-73.2



JH06056



JH06057



JH06058

SIZE	ET	PCD	HOLE	Ctr.Hole	SIZE	ET	PCD	HOLE	Ctr.Hole	SIZE	ET	PCD	HOLE	Ctr.Hole
20*8.5	15-35	108-120	5H	56.1-73.2	18*8	15-35	100-120	5H	56.1-74.2	18*8	15-35	100-120	5H	56.1-74.2
20*10	15-45	108-120	5H	66.1-73.2	18*8.5	15-40	100-120	5H	56.1-74.2	18*8.5	15-40	100-120	5H	56.1-74.2
22*8.5	15-35	108-120	5H	56.1-73.2	20*8.5	15-35	108-120	5H	56.1-73.2	20*8.5	15-35	108-120	5H	56.1-73.2
22*10	15-35	108-120	5H	66.1-73.2	20*10	15-45	108-120	5H	66.1-73.2	20*10	15-45	108-120	5H	66.1-73.2
					22*8.5	10-40	108-120	5H	56.1-73.2	22*8.5	10-40	108-120	5H	56.1-73.2
					22*10	15-45	108-120	5H	66.1-73.2	22*10	15-45	108-120	5H	66.1-73.2



JH06059



JH06060



JH06061

SIZE	ET	PCD	HOLE	Ctr.Hole	SIZE	ET	PCD	HOLE	Ctr.Hole	SIZE	ET	PCD	HOLE	Ctr.Hole
18*8	15-35	100-120	5H	56.1-74.2	18*8	15-35	100-120	5H	56.1-74.2	20*8.5	15-30	108-120	5H	56.1-73.2
18*8.5	15-40	100-120	5H	56.1-74.2	18*8.5	15-40	100-120	5H	56.1-74.2	20*10	15-25	108-120	5H	66.1-73.2
20*8.5	15-35	108-120	5H	56.1-73.2	20*8.5	15-35	108-120	5H	56.1-73.2					
20*10	15-45	108-120	5H	66.1-73.2	20*10	15-45	108-120	5H	66.1-73.2					
22*8.5	10-40	108-120	5H	56.1-73.2	22*8.5	10-40	108-120	5H	56.1-73.2					
22*10	15-45	108-120	5H	66.1-73.2	22*10	15-45	108-120	5H	66.1-73.2					



JH06075



JH06076



JH06077

SIZE	ET	PCD	HOLE	Ctr.Hole	SIZE	ET	PCD	HOLE	Ctr.Hole	SIZE	ET	PCD	HOLE	Ctr.Hole
18*8	15-35	108-120	5H	60.1-72.56	15*6	15-45	108-120	5H	60.1-72.56	17*7	15-40	100-120	5H	56.1-74.2



JH06083



JH06084



JH08270

SIZE	ET	PCD	HOLE	Ctr.Hole	SIZE	ET	PCD	HOLE	Ctr.Hole	SIZE	ET	PCD	HOLE	Ctr.Hole
15*5	0	114.3-120.65	5H	78.1	15*7	0-15	108-127	5H	70.3	15*7.5	30-35	100-114.3	4/5H	
15*7	-6-0	114.3-127	5H	78.1	15*8	0-15	108-127	5H	70.3	17*7.5	30-35	100-114.3	4/5H	
15*8	-6-13	114.3-127	5H	78.1	17*7	0-15	108-127	5H	70.3					
17*8	0/6	114.3-127	5H	78.1	17*8	0-15	108-127	5H	70.3					
18*8	0	114.3-127	5H	78.1										



JH08260



JH10719



JH08262

SIZE	ET	PCD	HOLE	Ctr.Hole	SIZE	ET	PCD	HOLE	Ctr.Hole	SIZE	ET	PCD	HOLE	Ctr.Hole
17*7.5	35-42	100-114.3	4/5H		17*7.5	35	100-114.3	5H		22*9	32-48	100-120	5H	
18*8	20-45	100-120	5H							22*10.0	38-48	100-120	5H	
18*9	20-45	100-120	5H											



JH08265



JH08266



JH08267

SIZE	ET	PCD	HOLE	Ctr.Hole	SIZE	ET	PCD	HOLE	Ctr.Hole	SIZE	ET	PCD	HOLE	Ctr.Hole
18*8.5	30-35	100-120	5H		15*7.5	30-35	100-114.3	4H		16*6.5	35-40	100-114.3	4H	



JH10713



JH08269



JH08272

SIZE	ET	PCD	HOLE	Ctr.Hole	SIZE	ET	PCD	HOLE	Ctr.Hole	SIZE	ET	PCD	HOLE	Ctr.Hole
20*8.5	25-35	112-120	5H		15*7	20-30	100-114.3	4/5/8H		16*7	38	100-114.3	4/5/8/10H	
					15*8.5	15-25	100-114.3	4/5/8H		17*7.5	40	100-114.3	4/5/8/10H	



JH10709



JH01018



JH08096

SIZE	ET	PCD	HOLE	Ctr.Hole	SIZE	ET	PCD	HOLE	Ctr.Hole	SIZE	ET	PCD	HOLE	Ctr.Hole
13*5	38	100-114.3	4/8H		17*8	35	100-114.3	4/5H		15*7	30-35	100-114.3	4/5/8H	
14*5.5	38	100-114.3	4/8H		17*9	30	100-120	5H		15*8.25	25-30	100-114.3	4/5/8H	
15*6	38	100-114.3	5H		18*8.5	35	100-120	5H		16*7	30-35	100-114.3	4/5/8H	
16*6.5	38	100-114.3	5H		18*9.5	30	100-120	5H		16*8.5	20-25	100-114.3	4/5/8H	
17*7	38	100-114.3	5H							17*8	35-42	100-114.3	4/5/8/10H	
18*7.5	38	100-114.3	5H							17*9	25	100-114.3	4/5/8/10H	



JH10715



JH10716



JH10717

SIZE	ET	PCD	HOLE	Ctr.Hole	SIZE	ET	PCD	HOLE	Ctr.Hole	SIZE	ET	PCD	HOLE	Ctr.Hole
18*8.5	20-30	100-120	5H		15*7	20-30	100-114.3	4/5/8H		15*7	20-30	100-114.3	4/5H	
										17*7.5	25-35	100-114.3	5H	



JH12304



JH12305



JH14951

SIZE	ET	PCD	HOLE	Ctr.Hole	SIZE	ET	PCD	HOLE	Ctr.Hole	SIZE	ET	PCD	HOLE	Ctr.Hole
14*7	10	156	4H		12*7	10	156	4H		17*7	38	114.3-120	5H	74.1
14*7	30	110-137	4H		12*7	30	110-137	4H		18*8	20-40	114.3-120	5H	74.1
					14*7	10	156	4H		20*8.5	20-38	114.3-120	5H	74.1
					14*7	30	110-137	4H		22*9	18	114.3-120	5H	74.1
										22*10.5	25	114.3-120	5H	74.1



JH14964



JH00762



JH14975

SIZE	ET	PCD	HOLE	Ctr.Hole	SIZE	ET	PCD	HOLE	Ctr.Hole	SIZE	ET	PCD	HOLE	Ctr.Hole
20*8.5	35-40	100-120	5H	66.56-73.1	14*6	30	100-114.3	4/5/8H		15*7.5	28	100	4H	73.1
					15*7	30	100-114.3	4/5/8H		17*8	30	114.3	5H	73.1



JH00739



JH00716



JH00770

SIZE	ET	PCD	HOLE	Ctr.Hole	SIZE	ET	PCD	HOLE	Ctr.Hole	SIZE	ET	PCD	HOLE	Ctr.Hole
18*9.5	20	100-120	5H		16*7	42	100	4H	73.1	20*8.5	40-50	120-160	5H	
18*10.5	30	100-120	5H		16*8	38	100	4H	73.1					



JH00765



JH00766



JH00767

SIZE	ET	PCD	HOLE	Ctr.Hole	SIZE	ET	PCD	HOLE	Ctr.Hole	SIZE	ET	PCD	HOLE	Ctr.Hole
15*8	25	100-114.3	4H		15*8	25	100-114.3	4H		15*8	25	100-114.3	4H	



JH00834



JH00837



JH00836

SIZE	ET	PCD	HOLE	Ctr.Hole	SIZE	ET	PCD	HOLE	Ctr.Hole	SIZE	ET	PCD	HOLE	Ctr.Hole
13*5.5	30	100-114.3	4/8H		13*5	25-35	100-114.3	4/8H		13*5.5	30	100-114.3	4/8H	
										15*6.5	20	100-114.3	4/8H	



JH00851



JH00876



JH00877

SIZE	ET	PCD	HOLE	Ctr.Hole	SIZE	ET	PCD	HOLE	Ctr.Hole	SIZE	ET	PCD	HOLE	Ctr.Hole
17*7.5	35-40	100-114.3	4/5/8H		15*7	12-20	100-114.3	4/5/8H		18*8.5	35-45	100-120	5H	
17*8.5	30-35	100-114.3	4/5/8H							18*9.5	20-50	100-120	5H	
										20*8.5	15-35	100-120	5H	



JH00628



JH14873



JH04002

SIZE	ET	PCD	HOLE	Ctr.Hole	SIZE	ET	PCD	HOLE	Ctr.Hole	SIZE	ET	PCD	HOLE	Ctr.Hole
17*7.5	25-45	100-114.3	4/8H	73.1	15*5.5	38-40	100-114.3	4/5H		15*7	30~35	100-114.3	4/5/8H	
17*8.5	30	100-114.3	4/8H	73.1	16*5	38-40	100-114.3	4/5H		15*8	25~30	100-114.3	4/5/8H	
17*10	20	100-114.3	4/8H	73.1	16*6	38-40	100-114.3	4/5H		15*7.5	35	100-114.3	4/5/8H	
19*9.5	12-25	100-120	4/5/8/10H	73.1	16*6.5	38-40	100-114.3	4/5H		15*8.5	25	100-114.3	4/5/8H	
19*11	12-25	100-120	4/5/8/10H	73.1	17*5.5	38-40	100-114.3	4/5H		16*7.5	30-35	100-114.3	4/5/8H	
20*9.5	12-25	100-120	4/5/8/10H	73.1						16*8.5	25-30	100-114.3	4/5/8H	
20*11	12-25	100-120	4/5/8/10H	73.1						17*7.5	40-45	100-114.3	4/5/8H	
18*8.5	25-42	100-120	5H	72.6-74						17*8.5	25-30	100-114.3	4/5/8H	
18*9.5	25-42	100-120	5H	72.6-74										



JH04003



JH04004



JH04005

SIZE	ET	PCD	HOLE	Ctr.Hole	SIZE	ET	PCD	HOLE	Ctr.Hole	SIZE	ET	PCD	HOLE	Ctr.Hole
20*9	15~35	120	5H		20*9	15~39	120	5H		20*9	15~39	120	5H	
20*10.5	20~38	120	5H		20*10.5	15~35	120	5H		20*10.5	15~35	120	5H	
22*9	10~45	120	5H		22*9	15~39	120	5H		22*9	16~40	120	5H	
22*10.5	20~40	120	5H		22*10.5	15~40	120	5H		22*10.5	20~40	120	5H	



JH04079



JH04247



JH04093

SIZE	ET	PCD	HOLE	Ctr.Hole	SIZE	ET	PCD	HOLE	Ctr.Hole	SIZE	ET	PCD	HOLE	Ctr.Hole
15*8	0	100-114.3	4/8H		20*8.5	30~40	100-120	5H		17*7.5	25-42	100-114.3	4/5/8H	
					20*9.5	25~35	100-120	5H						



JH04096



JH04097



JH04098

SIZE	ET	PCD	HOLE	Ctr.Hole	SIZE	ET	PCD	HOLE	Ctr.Hole	SIZE	ET	PCD	HOLE	Ctr.Hole
17*7.5	30-40	100-114.3	4/5/8H		15*7	30-38	100-114.3	4/5/8H		15*7	15-25	100-114.3	4/5/8H	
17*9	20-30	100-114.3	4/5/8H											



JH04208



JH04164



JH04165

SIZE	ET	PCD	HOLE	Ctr.Hole	SIZE	ET	PCD	HOLE	Ctr.Hole	SIZE	ET	PCD	HOLE	Ctr.Hole
20*8.5	15-45	100-130	5H		20*8.5	15~40	100-130	5H		17*8	20~35	108-114.3	5H	
20*10	15-45	100-130	5H		20*10	15~40	100-130	5H		18*8.5	25~40	108-114.3	5H	
22*9	15-45	100-130	5H		22*9.5	15~40	100-130	5H		16*8	30~40	108-114.3	5H	
22*10.5	15-45	100-130	5H											



JH06012



JH06015



JH08096

SIZE	ET	PCD	HOLE	Ctr.Hole	SIZE	ET	PCD	HOLE	Ctr.Hole	SIZE	ET	PCD	HOLE	Ctr.Hole
15*7	35	100	4/5H	73.1	20*9	15-35	108-120	5H	56.1-73.2	17*7	30	100-114.3	4/5H	
					20*10.5	40	108-120	5H	56.1-73.2	15*7.25	25-35	100-114.3	4/5H	
										18*9.5	25-35	100-114.3	5H	
										18*10.5	25-35	100-114.3	5H	



JH08129



JH08133



JH08131

SIZE	ET	PCD	HOLE	Ctr.Hole	SIZE	ET	PCD	HOLE	Ctr.Hole	SIZE	ET	PCD	HOLE	Ctr.Hole
15*7	30-35	100-114.3	4/5/8H		15*7.5	25-30	100	4H		16*7.5	25-35	100-114.3	4/8H	
17*7	35-42	100-114.3	4/5/8H							16*8.5	20-30	100-114.3	4/8H	
17*8	30-38	100-114.3	4/5/8H											



JH10638



JH10667



JH10676

SIZE	ET	PCD	HOLE	Ctr.Hole	SIZE	ET	PCD	HOLE	Ctr.Hole	SIZE	ET	PCD	HOLE	Ctr.Hole
15*7	25	100-114.3	4/5H		20*9	15	100-120	5H		24*9.0	15-35	112-130	5H	
					20*10.5	20	100-120	5H		24*10	20-40	112-130	5H	



JH10238



JH10243



JH10242

SIZE	ET	PCD	HOLE	Ctr.Hole	SIZE	ET	PCD	HOLE	Ctr.Hole	SIZE	ET	PCD	HOLE	Ctr.Hole
18*8	30-40	100-120	4/5H		18*8	30	100-120	4/5H		18*8	30-40	100-120	5H	57.1-73.1
					18*9	30	100-120	4/5H						
					17*7.5	30	100-120	4/5H						
					15*7	20-30	100-114.3	4/5H						



JH00841



JH10246



JH10244

SIZE	ET	PCD	HOLE	Ctr.Hole	SIZE	ET	PCD	HOLE	Ctr.Hole	SIZE	ET	PCD	HOLE	Ctr.Hole
15*7.5	30	100-114.3	4H		18*8	30	100-120	5H		17*7.5	25-35	100-114.3	5H	
17*8	25	100-114.3	4/5/8H		18*9	40	100-120	5H		17*8.5	25	100-114.3	5H	
16*7	30	100-114.3	4/5/8H		13*6	30	100-114.3	4/8H		13*6	30	100-114.3	4/8H	
					15*7	12-35	100-114.3	4/8H		15*7	12-35	100-114.3	4/8H	
					16*7	17-38	100-114.3	4/8H		16*7	17-38	100-114.3	4/8H	



JH10245



JH04315



JH10237

SIZE	ET	PCD	HOLE	Ctr.Hole	SIZE	ET	PCD	HOLE	Ctr.Hole	SIZE	ET	PCD	HOLE	Ctr.Hole
17*7.5	30-40	100-120	5H		17*7.5	25-35	100-120	4/5/8H		17*8	32	100-120	4/5/8H	57.1-73.1
17*8	35-45	100-120	5H		18*8	25-35	100-120	4/5/8H		15*7.5	32	100-114.3	4/5/8H	57.1-73.1
20*8.5	35-45	112-120	5H		18*9	20-30	100-120	4/5/8H						
20*10.5	40-52	112-120	5H											



JH10247



JH12225



JH12225

SIZE	ET	PCD	HOLE	Ctr.Hole	SIZE	ET	PCD	HOLE	Ctr.Hole	SIZE	ET	PCD	HOLE	Ctr.Hole
18*8	35-45	100-120	5/10H	57.1-73.1	20*9L	35-45	100-120	5H	60.1-74.1	18*8.5L	35-45	100-120	5H	57.1-73.1
18*9	30-45	100-120	5/10H	57.1-73.1	20*9R	30-45	100-120	5H	60.1-74.1	18*9.5L	30-45	100-120	5H	57.1-73.1
17*7.5	35-45	100-114.3	4/5/8H		20*10.5L	35-45	100-120	5H	60.1-74.1	18*8.5R	35-45	100-120	5H	57.1-73.1
17*8.5	30-42	100-114.3	4/5/8H		20*10.5R	30-45	100-120	5H	60.1-74.1	18*9.5R	30-45	100-120	5H	57.1-73.1
										17*7.5L	30	100-120	4/5/8H	57.1-73.1



JH10239



JH00340



JH10241

SIZE	ET	PCD	HOLE	Ctr.Hole	SIZE	ET	PCD	HOLE	Ctr.Hole	SIZE	ET	PCD	HOLE	Ctr.Hole
18*8	30-40	100-120	5H	57.1-73.1	17*7.5	32-34	100-114.3	4/5/8H	57.1-73.1	18*8	30-40	100-120	5H	57.1-73.1
					15*7	31	100-114.3	4/5/8H	57.1-73.1	17*7.5	38-42	100-114.3	4/5/8H	57.1-73.1
					14*6	35	100-114.3	4/5/8H	57.1-73.1					



JH00816



JH00816



JH08082

SIZE	ET	PCD	HOLE	Ctr.Hole	SIZE	ET	PCD	HOLE	Ctr.Hole	SIZE	ET	PCD	HOLE	Ctr.Hole
20*8.5	30-40	100-120	5H	60.1-74.1	17*7.5	35-45	100-120	4/5/8/10H	57.1-73.1	15*7	32-35	100-114.3	4H	
20*9.5	30-40	100-120	5H	60.1-74.1	17*8	33	100-120	4/5/8/10H	57.1-73.1					
19*8.5	35-45	100-120	5H	57.1-73.1	16*7	33-35	100-114.3	4/5/8H	57.1-73.1					
19*9.5	30-35	100-120	5H	57.1-73.1	16*8	26-28	100-114.3	4/5/8H	57.1-73.1					
18*8	35-45	100-120	4/5/8/10H	57.1-73.1	15*7	35	100-114.3	4/5/8H	57.1-73.1					
18*9	30-40	100-120	4/5/8/10H	57.1-73.1	15*8	28	100-114.3	4/5/8H	57.1-73.1					
					14*6	38	100-114.3	4/8H	57.1-73.1					



JH00289



JH00289



JH00289

SIZE	ET	PCD	HOLE	Ctr.Hole	SIZE	ET	PCD	HOLE	Ctr.Hole	SIZE	ET	PCD	HOLE	Ctr.Hole
22*10	30-40	100-120	5H	60.1-74.1	19*8.5	25-42	100-120	5H	57.1-73.1	17*8	33-35	100-114.3	4/5/8/10H	57.1-73.1
22*10.5	25-40	100-120	5H	60.1-74.1	19*9.5	25-42	100-120	5H	57.1-73.1	17*7	35-40	100-114.3	4/5H	57.1-73.1
20*8.5	25-35	100-120	5H	60.1-74.1	18*8.5	20-45	100-120	5H	66.6-74.1	16*8	26-28	100-114.3	4/5/8H	57.1-73.1
20*9.5	32-35	100-120	5H	60.1-74.1	18*9.5	20-42	100-120	5H	66.6-74.1	16*7	32	100-114.3	4/5/8H	57.1-73.1
20*10	32-50	100-120	5H	60.1-74.1	18*8	32-45	100-120	4/5/8/10H	57.1-73.1	15*7	32	100-114.3	4/5/8H	57.1-73.1
20*11	32-50	100-120	5H	60.1-74.1	17*7.5	32-35	100-114.3	4/5/8/10H	57.1-73.1	15*8	28	100-114.3	4/5/8H	57.1-73.1
										14*6	32	100-114.3	4/8H	57.1-73.1



JH10235



JH04086



JH00341

SIZE	ET	PCD	HOLE	Ctr.Hole	SIZE	ET	PCD	HOLE	Ctr.Hole	SIZE	ET	PCD	HOLE	Ctr.Hole
20*9.5	32-45	100-120	5H	60.1-74.1	18*8.5	25-42	100-120	5H	57.1-74.1	22*9	30	100-130	5H	73.1-87.1
20*8.5	32-43	100-120	5H	60.1-74.1	15*7	25-35	100-114.3	4/5H	57.1-74.1	20*10	35-40	100-120	5H	60.1-74.1
18*8	30-35	100-120	4/5/8/10H	57.1-73.1	17*8	25-38	100-120	4/5H	57.1-74.1	20*9.5	35	100-120	5H	60.1-74.1
17*7.5	25-42	100-114.3	4/5/8H	57.1-73.1	18*8.5	25-42	100-120	5H	57.1-74.1	20*9	35	100-130	5H	73.1-87.1
					16*7	20-35	100-114.3	4/5H	57.1-74.1	20*8.5	35	100-120	5H	60.1-74.1
										18*9	32-42	100-120	5H	57.1-73.1
										18*8	32-42	100-120	5H	57.1-73.1
										17*8	25-35	100-120	5H	67.1-73.1
										16*7	35	100-114.3	5H	57.1-73.1



JH00339



JH00339



JH10236

SIZE	ET	PCD	HOLE	Ctr.Hole	SIZE	ET	PCD	HOLE	Ctr.Hole	SIZE	ET	PCD	HOLE	Ctr.Hole
20*9.5	35	100-120	5H	60.1-74.1	18*8	15-45	100-120	5H	57.1-73.1	18*8	15-38	100-120	5H	57.1-73.1
20*9	40	100-120	5H	60.1-74.1	18*9	20-42	100-120	5H	57.1-73.1	18*9	20-33	100-120	5H	57.1-73.1
20*8.5	35-45	100-120	5H	60.1-74.1	18*8.5	20-45	100-120	5H	57.1-73.1	17*8	35	100-120	4/5/8H	57.1-73.1
19*8.5	20-42	100-120	5H	57.1-73.1	18*9.5	20-42	100-120	5H	57.1-73.1	16*7.5	30-35	100-114.3	4/5/8H	57.1-73.1
19*9.5	20-35	100-120	5H	57.1-73.1	17*7.5	25-45	100-120	4/5/8/10H	57.1-73.1	15*7.5	32	100-114.3	4/5/8H	57.1-73.1
17*8	32	100-114.3	4/5/8/10H	57.1-73.1	15*7	25-35	100-114.3	4/5/8H	57.1-73.1					
16*7	25-35	100-114.3	4/5/8H	57.1-73.1										



JH10234



JH00402



JH00402

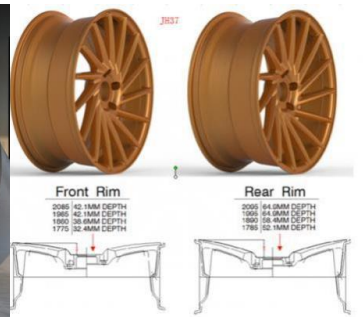
SIZE	ET	PCD	HOLE	Ctr.Hole	SIZE	ET	PCD	HOLE	Ctr.Hole	SIZE	ET	PCD	HOLE	Ctr.Hole
17*7.5	32	100-120	5H	57.1-73.1	20*8.5	35	100-120	5H	60.1-74.1	18*8	30-40	100-120	5/10H	57.1-73.1
					20*9.5	35	100-120	5H	60.1-74.1	18*9	35	100-120	5/10H	57.1-73.1
					19*8.5	35-38	100-120	5H	57.1-73.1	17*7.5	35	100-120	5/10H	57.1-73.1
					19*9.5	35	100-120	5H	57.1-73.1	17*8.5	30	100-120	5/10H	57.1-73.1
					15*7	35	100-114.3	4/5/8H	57.1-73.1	16*7	38	100-114.3	4/5/8H	57.1-73.1



JH00817



JH00817



JH00817

SIZE	ET	PCD	HOLE	Ctr.Hole	SIZE	ET	PCD	HOLE	Ctr.Hole	SIZE	ET	PCD	HOLE	Ctr.Hole
20*9.5L	30-40	100-120	5H	60.1-74.1	19*8.5R	30-45	100-120	5H	57.1-73.1	17*8.5R	30-40	100-120	4/5/8/10H	57.1-73.1
20*9.5R	30-40	100-120	5H	60.1-74.1	18*9L	20-40	100-120	4/5/8/10H	57.1-73.1	17*7.5L	30-42	100-120	4/5/8/10H	57.1-73.1
20*8.5L	30-40	100-120	5H	60.1-74.1	18*9R	20-40	100-120	4/5/8/10H	57.1-73.1	17*7.5R	30-42	100-120	4/5/8/10H	57.1-73.1
20*8.5R	30-40	100-120	5H	60.1-74.1	18*8L	20-42	100-120	4/5/8/10H	57.1-73.1	17*8	35	100-120	4/5/8/10H	57.1-73.1
19*9.5L	30-40	100-120	5H	57.1-73.1	18*8R	20-42	100-120	4/5/8/10H	57.1-73.1	16*7L	12-35	100-114.3	4/5/8H	57.1-73.1
19*9.5R	30-40	100-120	5H	57.1-73.1	17*8.5L	30-40	100-120	4/5/8/10H	57.1-73.1	16*7R	12-35	100-114.3	4/5/8H	57.1-73.1
19*8.5L	30-45	100-120	5H	57.1-73.1										



JH00336



JH00336



JH00336

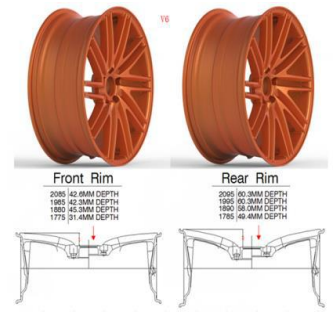
SIZE	ET	PCD	HOLE	Ctr.Hole	SIZE	ET	PCD	HOLE	Ctr.Hole	SIZE	ET	PCD	HOLE	Ctr.Hole
20*10L	35-45	100-120	5H	60.1-74.1	19*10L	20-30	100-120	5H	57.1-73.1	17*8.5L	35-42	100-114.3	4/5/8/10H	57.1-73.1
20*10R	35-45	100-120	5H	60.1-74.1	19*10R	20-30	100-120	5H	57.1-73.1	17*8.5R	35-42	100-114.3	4/5/8/10H	57.1-73.1
20*9L	30-40	100-120	5H	60.1-74.1	18*9.5L	25-42	100-120	4/5/8/10H	57.1-73.1	17*7.5L	35-42	100-114.3	4/5/8/10H	57.1-73.1
20*9R	30-40	100-120	5H	60.1-74.1	18*9.5R	25-42	100-120	4/5/8/10H	57.1-73.1	17*7.5R	35-42	100-114.3	4/5/8/10H	57.1-73.1
19*9.5L	35-45	100-120	5H	57.1-73.1	18*8.5L	25-42	100-120	4/5/8/10H	57.1-73.1	17*8L	32	100-114.3	5H	57.1-73.1
19*9.5R	35-45	100-120	5H	57.1-73.1	18*8.5R	25-42	100-120	4/5/8/10H	57.1-73.1	17*8R	32	100-114.3	5H	57.1-73.1
19*8.5L	30-40	100-120	5H	57.1-73.1	18*9L	35-45	100-120	4/5/8/10H	57.1-73.1	16*7L	30-35	100-114.3	4/5/8H	57.1-73.1
19*8.5R	30-40	100-120	5H	57.1-73.1	18*9R	35-45	100-120	4/5/8/10H	57.1-73.1	15*6L	35-40	100-114.3	4/8H	57.1-73.1
19*9L	25-35	100-120	5H	57.1-73.1	18*8L	30-40	100-120	4/5/8/10H	57.1-73.1	14*6L	30	100-114.3	4/8H	57.1-73.1
19*9R	25-35	100-120	5H	57.1-73.1	18*8R	30-40	100-120	4/5/8/10H	57.1-73.1	13*5.5	35	100-114.3	4/8H	57.1-73.1



JH00815



JH00815



JH00815

SIZE	ET	PCD	HOLE	Ctr.Hole	17*7.5R	35-42	100-114.3	4/5/8/10H	57.1-73.1	SIZE	ET	PCD	HOLE	Ctr.Hole
20*9.5L	30-35	100-120	5H	60.1-74.1	19*8.5L	30-35	100-120	5H	57.1-73.1	17*8.5L	35	100-120	4/5/8/10H	57.1-73.1
20*9.5R	30-35	100-120	5H	60.1-74.1	19*8.5R	30-35	100-120	5H	57.1-73.1	17*8.5R	35	100-120	4/5/8/10H	57.1-73.1
20*8.5L	30-35	100-120	5H	60.1-74.1	18*9L	30-38	100-120	4/5/8/10H	57.1-73.1	17*7.5L	35	100-120	4/5/8/10H	57.1-73.1
20*8.5R	30-35	100-120	5H	60.1-74.1	18*9R	30-38	100-120	4/5/8/10H	57.1-73.1	17*7.5R	35	100-120	4/5/8/10H	57.1-73.1
19*9.5L	30-35	100-120	5H	57.1-73.1	18*8L	30-40	100-120	4/5/8/10H	57.1-73.1					
19*9.5R	30-35	100-120	5H	57.1-73.1	18*8R	30-40	100-120	4/5/8/10H	57.1-73.1					



JH00371



JH00371



JH00371

SIZE	ET	PCD	HOLE	Ctr.Hole	SIZE	ET	PCD	HOLE	Ctr.Hole	SIZE	ET	PCD	HOLE	Ctr.Hole
20*9.5	30-40	100-120	5H	60.1-74.1	18*8.5	25-42	100-120	5/10H	57.1-73.1	17*8	25-35	100-120	4/5/8H	57.1-73.1
20*8.5	30-40	100-120	5H	60.1-74.1	18*8	15-42	100-120	4/5/8/10H	57.1-73.1	17*9	20~30	100-114.3	4/5/8H	57.1-73.1
19*9.5	30-40	100-120	5H	57.1-73.1	18*9	20-38	100-120	4/5/8/10H	57.1-73.1	16*7	40	100-114.3	4/5/8H	57.1-73.1
19*8.5	30-40	100-120	5H	57.1-73.1	17*8.5	42	100-120	4/5/8/10H	57.1-73.1	15*7	25-35	100-114.3	4/5/8H	57.1-73.1
18*9.5	20-42	100-120	5/10H	57.1-73.1	17*7.5	35	100-120	4/5/8/10H	57.1-73.1	14*6	35	100-114.3	4/5/8H	57.1-73.1
					17*7	25-35	100-114.3	4/5/8H	57.1-73.1	14*5.5	35	100-114.3	4/5/8H	57.1-73.1



JH00249

JH00249

JH00249

SIZE	ET	PCD	HOLE	Ctr.Hole	SIZE	ET	PCD	HOLE	Ctr.Hole	SIZE	ET	PCD	HOLE	Ctr.Hole
20*8.5	34	100-120	5H	57.1-73.1	16*7.5	20-30	100-114.3	4/8H		18*8.5	35	100-114.3	5H	
20*9.5	45	100-120	5H	57.1-73.1	16*8.5	20-30	100-114.3	4/8H		18*9.5	12-35	100-114.3	5H	
19*9.5	20-35	100-120	5H	57.1-73.1	17*7.5	38-40	100-114.3	4/5/8/10H		18*10.5	15-22	100-114.3	5H	
19*8.5	15-45	100-120	5H	57.1-73.1	17*8	30-35	100-120	5H		18*8	15-45	100-114.3	4/5/8/10H	
19*10.5	1-222	114.3-120	5H	72.6-73.1	17*8.5	38-40	100-114.3	4/5/8/10H		18*9	15-45	100-114.3	4/5/8/10H	



JH00504

JH00504

JH00504

SIZE	ET	PCD	HOLE	Ctr.Hole	SIZE	ET	PCD	HOLE	Ctr.Hole	SIZE	ET	PCD	HOLE	Ctr.Hole
18*8	42-45	100-120	4/5/8/10H	57.1-73.1	17*7.5	15-35	100-120	4/5/8/10H	57.1-73.1	16*7	20-35	100-114.3	4/5/8/10H	57.1-73.1
18*8.5	15-40	100-120	4/5/8/10H	57.1-73.1	17*8	25-33	100-114.3	4/5/8/10H	57.1-73.1	16*8	20-25	100-114.3	4/5/8/10H	57.1-73.1
18*9	25-40	100-120	4/5/8/10H	57.1-73.1	17*8.5	15-30	100-120	4/5/8/10H	57.1-73.1	15*7	25-35	100-114.3	4/5/8/10H	57.1-73.1
18*8	25-40	100-120	4/5/8/10H	57.1-73.1	17*9	20-25	100-114.3	4/5/8/10H	57.1-73.1	15*8	20-25	100-114.3	4/5/8/10H	57.1-73.1
18*9.5	20-30	100-120	4/5/8/10H	57.1-73.1	17*10	15-35	100-120	4/5/8/10H	57.1-73.1	14*6.5	32	100-114.3	4/5/8/10H	57.1-73.1
										13*6	25	100-114.3	4/5/8/10H	57.1-73.1



JH00158

JH00158

JH00158

SIZE	ET	PCD	HOLE	Ctr.Hole	SIZE	ET	PCD	HOLE	Ctr.Hole	SIZE	ET	PCD	HOLE	Ctr.Hole
19*8.5	22-35	100-120	5/10H	57.1-73.1	17*8	20-35	100-120	4/5/8/10H	54.1-73.1	15*9	10	100-114.3	4/5/8H	57.1-73.1
19*9.5	12-35	100-120	5/10H	57.1-73.1	17*7	25-35	100-114.3	4/5/8H	57.1-73.1	15*7	30	100-114.3	4/5/8H	57.1-73.1
18*8.5	15-42	100-120	4/5/8/10H	57.1-74.1	17*7.5	15-35	100-114.3	4/5/8/10H	57.1-73.1	15*8	0-15	100-114.3	4/5/8H	57.1-73.1
18*9.5	15-42	100-120	4/5/8/10H	57.1-74.1	17*8.5	15-30	100-120	4/5/8/10H	57.1-73.1	13*6	15-45	100-114.3	4/8H	57.1-73.1
18*9	35-40	100-120	4/5/8/10H	57.1-73.1	16*7.5	25	100-114.3	4/5/8H	57.1-73.1	14*6	30	100-114.3	4/5/8H	57.1-73.1
18*8	35-42	100-120	4/5/8/10H	57.1-73.1	16*7	25	100-114.3	4/5/8H	57.1-73.1	14*6.5	15-45	100-114.3	4/5/8H	57.1-73.1
17*10	10-20	100-120	4/5/8/10H	57.1-73.1	16*8	30	100-114.3	4/5/8H	57.1-73.1	14*7	10-20	100-114.3	4/8H	57.1-73.1
17*9	20-35	100-120	4/5/8/10H	54.1-73.1	16*9	20	100-114.3	4/5/8/10H	57.1-73.1	14*7	10-20	100-114.3	4/8H	



JH00925

JH00925



JH00562

SIZE	ET	PCD	HOLE	Ctr.Hole	SIZE	ET	PCD	HOLE	Ctr.Hole	SIZE	ET	PCD	HOLE	Ctr.Hole
17*7.5	10	100-114.3	4/5/8/10H	57.1-73.1	15*8	10	100-114.3	4/8H	57.1-73.1	16*8.5	10-35	100-120	4/5/8/10H	57.1-73.1
17*8.5	15	100-120	4/5/8/10H	57.1-73.1	15*7	0	100-114.3	4/8H	57.1-73.1	16*7	10-35	100-120	4/5/8/10H	57.1-73.1
17*8	25-30	100-120	4/5/8/10H	57.1-73.1	14*6.5	0	100-114.3	4/8H	57.1-73.1					



JH12250



JH12250



JH08080

SIZE	ET	PCD	HOLE	Ctr.Hole	SIZE	ET	PCD	HOLE	Ctr.Hole	SIZE	ET	PCD	HOLE	Ctr.Hole
17*7.5	15-35	100-114.3	4/5/8/10H	57.1-73.1	15*8	25-30	100-114.3	4/5/8H	57.1-73.1	17*8	20	100-114.3	5H	54.1-74.1
17*8.5	15-30	100-120	4/5/8/10H	57.1-73.1	15*7	30	100-114.3	4/5/8H	57.1-73.1	17*9	22	100-114.3	5H	54.1-74.1



JH00440



JH10515



JH00419

SIZE	ET	PCD	HOLE	Ctr.Hole	SIZE	ET	PCD	HOLE	Ctr.Hole	SIZE	ET	PCD	HOLE	Ctr.Hole
15*9	-13	114.3	4H		16*7	17	100-114.3	4/5/8H	57.1-73.1	15*7	20	100-114.3	4/5H	57.1-73.1
					16*8	22	100-114.3	4/5/8H	57.1-73.1	17*7.5	30	100-114.3	4/5H	57.1-73.1
					17*9	28	100-114.3	4/5/8H	57.1-73.1	17*8	25	100-114.3	4/5H	57.1-73.1



JH10542



JH00172



JH08081

SIZE	ET	PCD	HOLE	Ctr.Hole	SIZE	ET	PCD	HOLE	Ctr.Hole	SIZE	ET	PCD	HOLE	Ctr.Hole
17*8	30	100-114.3	4/5/8H	54.1-74.1	15*7	25-40	114.3	4H	57.1-73.1	18*8	35-42	100-120	5H	54.1-74.1
										18*9	35-42	100-120	5H	54.1-74.1
										19*8.5	35-42	100-120	5H	



JH00496



JH08050



JH00408

SIZE	ET	PCD	HOLE	Ctr.Hole	SIZE	ET	PCD	HOLE	Ctr.Hole	SIZE	ET	PCD	HOLE	Ctr.Hole
15*8	20	100	4H		15*8	15	100-114.3	4/8H		16*7	30-38	100-114.3	4/5/8H	
18*9.5	35	100-114.3	5H											
17*9	20	100-114.3	4/5H											



JH04256



JH08064



JH08109

SIZE	ET	PCD	HOLE	Ctr.Hole	SIZE	ET	PCD	HOLE	Ctr.Hole	SIZE	ET	PCD	HOLE	Ctr.Hole
17*7.5	35-42	100-114.3	4/5/8H		17*7	40	100-114.3	4/5/8/10H		15*7	35	100	4H	



JH00138



JH04253



JH08134

SIZE	ET	PCD	HOLE	Ctr.Hole	SIZE	ET	PCD	HOLE	Ctr.Hole	SIZE	ET	PCD	HOLE	Ctr.Hole
14*5.5	35-40	114.3	4/5/8H		18*8	34-42	100-120	5H		14*5.5	40	100-114.3	4H	
15*6.5	35	114.3	4/5/8H		18*9	30-38	100-120	5H		14*6	30-40	100-114.3	4H	
16*7	40	100-114.3	4/5/8/10H		17*8	20-40	100-114.3	4/5/8H		15*7	40	100-114.3	4H	
17*7	25-40	100-114.3	4/5/8H		19*8.5	35-38	100-120	5H		16*7	40	100-114.3	4H	
18*8	30-45	100-114.3	4/5/8H		19*9.5	35-38	100-120	5H		16*7.75	30-35	100	4H	
15*7	32	100-114.3	4/5/8H		17*7.5	35-45	100-114.3	4/5H		17*7.5	33	100-114.3	4/5H	
										17*8	35	100-114.3	4/5H	
										17*7	38	100-114.3	4H	



JH00368



JH18089

SIZE	ET	PCD	HOLE	Ctr.Hole	SIZE	ET	PCD	HOLE	Ctr.Hole					
15*7	33	100-114.3	4/8H		15*8	0	100-114.3	4/8H						
16*7.5	35	100-114.3	4/8H		15*9	0	100-114.3	4/8H						
15*6	35-50	100-114.3	4/5/8H		17*9	0-20	100-114.3	4/5H						
16*7	35	100-114.3	4/5/8H		18*8.5	15-30	100-114.3	4/5H						
17*7.5	41.4	108.1-114.3	5H		18*10	10-35	100-114.3	4/5H						



JH00314



JH00655



JH10588

SIZE	ET	PCD	HOLE	Ctr.Hole	SIZE	ET	PCD	HOLE	Ctr.Hole	SIZE	ET	PCD	HOLE	Ctr.Hole
12*5	40	100-120	4/8H	57.1-73.1	12*4.5	35	100-110	4/8H		17*7.5	35	100-114.3	4/5/8H	



JH00097



JH00305



JH00741

SIZE	ET	PCD	HOLE	Ctr.Hole	SIZE	ET	PCD	HOLE	Ctr.Hole	SIZE	ET	PCD	HOLE	Ctr.Hole
14*5.5	25-38	100-114.3	4/8H		16*7	38-42	100-114.3	4/5/8/10H		17*9	12	100-114.3	4/5H	
14*6	35	100-114.3	4/5/8/10H		16*8.25	25-30	100-114.3	4/5/8/10H		15*8.25	20	100-114.3	4/8H	
15*8.5	25-35	100-114.3	4/5/8/10H		17*7.5	35-38	100-114.3	4/5/8/10H		13*6	0	100-114.3	4/8H	
15*7	37	100-114.3	4/8H		17*9	30	100-114.3	4H		14*7	20	100-114.3	4/8H	
16*7	38	100-114.3	4/8H		18*8	35-40	100-120	5H		15*8	0-20	100-114.3	4/5/8H	
17*7	42	100-114.3	4/8H		19*8.5	35-40	100-120	5H		16*8.25	10-18	100-114.3	4/5/8H	
17*7.5	40	100-114.3	4/8H		19*9.5	35-40	100-120	5H		16*9	0-15	100-114.3	4/5/8H	
17*8	35-38	100-114.3	4/5H		20*9	10	100-120	5H		15*9	15	100-114.3	4/5/8H	
18*8.5	35-38	100-120	4/5H		16*7.5	30-35	100-114.3	8H		16*8	24	100-114.3	4/5/8H	
18*9.5	25	100-114.3	5H		14*6	30	100-114.3	4/8H		17*8.75	24	100-114.3	4/5/8H	
18*10.5	30	100-114.3	5H		14*7	30	100-114.3	4/8H		17*10	20	100-114.3	4/5/8H	
20*9	10-37	100-114.3	5/10H											
20*10.5	10-30	100-114.3	5/10H											



JH00735



JH00143



JH00565

SIZE	ET	PCD	HOLE	Ctr.Hole	SIZE	ET	PCD	HOLE	Ctr.Hole	SIZE	ET	PCD	HOLE	Ctr.Hole
15*7	35	100-114.3	4H	57.1-73.1	19*8.5	35	114.3	5H	57.1-73.1	16*8	28	100-114.3	4/5/8H	57.1-73.1
15*8.25	20	100-114.3	8H	57.1-73.1	19*9.5	35	114.3	5H	57.1-73.1	15*5.5	42	114.3	4H	57.1-73.1
17*7.5	35-42	100-120	5H	57.1-73.1	19*10.5	15-28	114.3	5H	57.1-73.1	15*8	0	100	4/5H	56.1-73.2
17*9	15-38	100-120	5H	57.1-73.1	18*8.5	0-35	114.3	5H	57.1-73.1	15*9	15	100-114.3	4/5/8H	57.1-73.1
18*8	35-42	100-120	5H	57.1-73.1	18*10	10-40	114.3	5H	57.1-73.1	17*9	20-25	100-114.3	4/5/8/10H	57.1-73.1
18*9	25-35	100-120	5H	57.1-73.1	19*10	20-40	114.3	5H	57.1-73.1	16*7	35-40	100-114.3	4/5/8H	57.1-73.1
18*9.5	25	114.3-139.7	5/6H	57.1-73.1	18*9.5	12-34	100-114.3	5H	57.1-73.1	16*8.5	32-35	100-114.3	4/5/8H	57.1-73.1
18*10.5	30	114.3-139.7	5/6H	57.1-73.1	18*10.5	12-34	100-114.3	5H	57.1-73.1	18*8	30-46	114.3	5H	73.1
19*8.5	35-42	100-120	5H	57.1-73.1						15*7	32	100	4H	57.1-73.1
19*9.5	25-35	100-120	5H	57.1-73.1										



JH00727



JH00227



JH00227

SIZE	ET	PCD	HOLE	Ctr.Hole	SIZE	ET	PCD	HOLE	Ctr.Hole	SIZE	ET	PCD	HOLE	Ctr.Hole
14*5.5	30-35	100-114.3	4/8H		16*6.5	43	100	4H	57.1-73.1	14*5.5	38	100/114.3	4/8H	57.1-73.1
15*6.5	38	108-114.3	4/5/8H		17*9	15-35	100/114.3	4/5/8H	57.1-73.1	15*8	20	100-114.3	4/5H	57.1-73.1
15*7	20-30	114.3	5H		18*9	0	139.7	6H	57.1-73.1	16*7	40	100-114.3	4/5H	57.1-73.1
16*7	30-35	100-114.3	4/8H		18*8.5	15/35	114.3-139.7	5/6/8/H	73.1-110.1	15*9	39	100	4H	57.1-73.1
17*8	35	100-120	5H		18*9.5	20/35	114.3-139.7	5/6/8/H	73.1-110.1	15*7	35	100/114.3	4/5/8H	57.1-73.1
17*9	30	100-120	5H		18*10.5	15	114.3-139.7	5/6/8/H	73.1-110.1	16*7.25	25-35	100	4H	57.1-73.1
18*9.5	28	100-120	5H		20*10	15-20	139.7	6H	57.1-73.1	17*7.5	38-40	100-114.3	4/5H	57.1-73.1
18*10.5	22	100-120	5H							17*8	35-38	100-114.3	4/5H	57.1-73.1



JH00177



JH12248



JH04128

SIZE	ET	PCD	HOLE	Ctr.Hole	SIZE	ET	PCD	HOLE	Ctr.Hole	SIZE	ET	PCD	HOLE	Ctr.Hole
20*9	20	139.7	6H		14*5.5	30-40	100-114.3	4/8H	73.1	17*7.5	35	100-114.3	4/5/8/10H	
13*6	0	100-114.3	4/5/8H		15*7	30-35	100-114.3	4/5/8H	73.1	17*8.5	30-48	100-114.3	4/5/8/10H	
15*7	38	100-114.3	4/5/8H		16*7	30-35	100-114.3	4/5/8H	73.1	16*7	35	100-114.3	4/5/8H	
15*8	0	100-114.3	4/5/8H		17*7.5	30-42	100-114.3	4/5/8H	73.1	17*8.75	25	100-114.3	4/5/8H	
15*9	0	100-114.3	4/5/8H		17*8.5	25-35	100-114.3	4/5/8H	73.1	15*8	25	100-114.3	4/5/8H	
17*7.5	38	100-114.3	4/5/8H		18*8	30-45	100-114.3	5H	73.1	17*7.5	35	100-114.3	4/5/8H	
18*8	43	100-114.3	8/10H		18*9	20-35	100-114.3	5H	73.1	17*8	38	100-114.3	8/10H	
18*8.5	25	100-114.3	4/5/8H		20*9	20-35	100-114.3	5H	73.1	17*9	12-35	100-114.3	8/10H	
18*9.5	15	100-114.3	4/5/8H		18*9.5	20	139.7	6H	108.1	18*8	35-40	100-114.3	5H	
18*10.5	19-25	100-120	5/10H		18*10.5	20-25	139.7	6H	108.1	18*9	35-40	100-114.3	5H	
					20*9.5	20	139.7	6H	108.1					



JH00139



JH00275



JH00641

SIZE	ET	PCD	HOLE	Ctr.Hole	SIZE	ET	PCD	HOLE	Ctr.Hole	SIZE	ET	PCD	HOLE	Ctr.Hole
17*7	40-42	100-114.3	4/5/8/10H	57.1-73.1	18*8	30	100-120	4/5/8/10H		15*8	15-35	100-114.3	4H	
16*7	25-40	100-114.3	4/5/8/10H	57.1-73.1	18*9	20	100-120	5H		16*5.5	40-43	100	4H	73.1
15*6.5	25-38	100-114.3	4/5/8/10H	57.1-73.1										
17*7.5	40	114.3	5H	57.1-73.1										



JH08094



JH18124



JH08057

SIZE	ET	PCD	HOLE	Ctr.Hole	SIZE	ET	PCD	HOLE	Ctr.Hole	SIZE	ET	PCD	HOLE	Ctr.Hole
15*6.5	30-35	100-114.3	4/5/8/10H		15*8	0	100-114.3	4/8H	57.1-73.1	15*7	38	100-114.3	4/5/8H	
										16*7	38	100-114.3	4/5/8H	
										17*7.5	40	100-114.3	4/5/8H	



JH12101



JH10599



JH10632

SIZE	ET	PCD	HOLE	Ctr.Hole	SIZE	ET	PCD	HOLE	Ctr.Hole	SIZE	ET	PCD	HOLE	Ctr.Hole
16*7	40	100-114.3	8/10H	73.1	15*8	20-25	100-114.3	4H		15*7	25-35	100-114.3	4/8H	
17*7.5	35-45	100-114.3	8/10H	73.1	15*9	0	100-114.3	4H		16*7	35	100-114.3	4/8H	
18*8	15-40	100-114.3	8/10H	73.1										
18*9	20-40	100-114.3	8/10H	73.1										



JH18123



JH12143



JH12159

SIZE	ET	PCD	HOLE	Ctr.Hole	SIZE	ET	PCD	HOLE	Ctr.Hole	SIZE	ET	PCD	HOLE	Ctr.Hole
15*8	0	100-114.3	4/8H	57.1-73.1	18*9.5	12	100-120	5H	73.1	15*7	35	100-114.3	8H	66.6-73.1
					18*10.5	15	100-120	5H	73.1	15*8.25	25	100-114.3	8H	66.6-73.1
										17*8	38	100-114.3	8H	66.6-73.1
										17*9	30	100-114.3	8/10H	66.6-73.1



JH00564



JH04022



JH00002

SIZE	ET	PCD	HOLE	Ctr.Hole	SIZE	ET	PCD	HOLE	Ctr.Hole	SIZE	ET	PCD	HOLE	Ctr.Hole
17*9	20-25	100-114.3	4/5/8H		15*7	25-38	100-114.3	4/5H		15*7	35	100-114.3	4/5/8H	
17*10	18	100-114.3	4/5/8H		17*7.5	40	100-114.3	4/5H		14*5.5	35-41	100-114.3	4/5/8H	
17*7.5	38-40	100-114.3	4/5H		17*8.5	18	139.7	6H		20*9.5	15-45	100-120	5H	
17*8.5	30-35	100-114.3	4/5H		20*9	18	139.7	6H						



JH00418



JH00420



JH00421

SIZE	ET	PCD	HOLE	Ctr.Hole	SIZE	ET	PCD	HOLE	Ctr.Hole	SIZE	ET	PCD	HOLE	Ctr.Hole
17*7.5	35-42	108-120	5H		19*8	35-45	108-120	5H		16*7	30	120	5H	
18*8	35-42	108-120	5H		19*9	35-45	108-120	5H						
					20*8.5	35-45	108-120	5H						
					20*9.5	35-45	108-120	5H						



JH00875



JH00760



JH00761

SIZE	ET	PCD	HOLE	Ctr.Hole	SIZE	ET	PCD	HOLE	Ctr.Hole	SIZE	ET	PCD	HOLE	Ctr.Hole
20*10	40	114.3	5H		13*6	0	100-114.3	4/8H		18*8.5	15-30	100-120	4/5/8/10H	
										18*9.5	15-30	100-120	4/5/8/10H	



JH00869



JH00871



JH00873

SIZE	ET	PCD	HOLE	Ctr.Hole	SIZE	ET	PCD	HOLE	Ctr.Hole	SIZE	ET	PCD	HOLE	Ctr.Hole
13*5.5	30	100-114.3	4H		15*7	12-20	100-114.3	4/5/8H		18*8.5	20-40	100-120	5H	
15*7	12-20	100-114.3	4H		13*5.5	30	100-114.3	4/5/8H		18*9.5	20-40	100-120	5H	
16*7	12-20	100-114.3	4H							20*9	35	100-120	5H	
										20*10	35	100-120	5H	



JH00852



JH00853



JH00854

SIZE	ET	PCD	HOLE	Ctr.Hole	SIZE	ET	PCD	HOLE	Ctr.Hole	SIZE	ET	PCD	HOLE	Ctr.Hole
20*8.5	35-45	100-114.3	4/5/8H		15*7	25	100-114.3	4/8H		15*7	30	100-114.3	4/8H	



JH00826



JH00827



JH00828

SIZE	ET	PCD	HOLE	Ctr.Hole	SIZE	ET	PCD	HOLE	Ctr.Hole	SIZE	ET	PCD	HOLE	Ctr.Hole
15*7	15	100-108	4/8H		15*7	15	100-108	4/8H		13*5.5	30	100-114.3	4/8H	
16*7.5	15	100-108	4/8H		16*7.5	15	100-108	4/8H		15*7	15	100-108	4/8H	
										16*7.5	15	100-108	4/8H	



JH00607



JH00570



JH00678

SIZE	ET	PCD	HOLE	Ctr.Hole	SIZE	ET	PCD	HOLE	Ctr.Hole	SIZE	ET	PCD	HOLE	Ctr.Hole
18*8.5	10-40	108-120	5H		17*7.5	35-38	100-114.3	4/5/8/10H		16*8.5	20-(-20)	114.3-139.7	5/6H	
18*9.5	10-40	108-120	5H		14*6	30	100-114.3	4/5/8H		13*6	0	100-114.3	4/8H	
19*8.5	10-40	108-120	5H		16*7	35	100-114.3	4/5/8H		12*4.5	20	100-114.3	4/8H	
19*9.5	10-40	108-120	5H		19*8.5	30-35	112-130	5H		14*7	23	110	4H	
20*9	10-40	108-120	5H		19*9.5	30-35	112-130	5H		14*8	46.5	110	4H	
20*10.5	10-40	108-120	5H											



JH80011



JH80012



JH00819

SIZE	ET	PCD	HOLE	Ctr.Hole	SIZE	ET	PCD	HOLE	Ctr.Hole	SIZE	ET	PCD	HOLE	Ctr.Hole
15*7	30	100-114.3	4/8H	73.1	17*7.5	35-40	100-120	4/5/8/10H	57.1-73.1	10*6	-2	101.6	4H	
					15*7	35-40	100-120	4/5/8/10H	57.1-73.1	12*5	20-30	101.6	4H	
										12*6.5	10-20	101.6	4H	



JH00776



JH00788



JH00789

SIZE	ET	PCD	HOLE	Ctr.Hole	SIZE	ET	PCD	HOLE	Ctr.Hole	SIZE	ET	PCD	HOLE	Ctr.Hole
13*6	30	100-114.3	4/8H		13*6	30	114.3	4H	57.1-73.1	13*6	20-35	114.3	4H	57.1-73.1
15*7	15-30	100-114.3	4/8H											
15*8	20-30	100-114.3	4/8H											



JH00680



JH00717



JH00757

SIZE	ET	PCD	HOLE	Ctr.Hole	SIZE	ET	PCD	HOLE	Ctr.Hole	SIZE	ET	PCD	HOLE	Ctr.Hole
17*10	10	100-114.3	4/5/8H		18*8	45	114.3	5H	73.1	13*6	0	100-114.3	4/8H	
17*9	15	100-114.3	4/5/8H											



JH00709



JH00721



JH00679

SIZE	ET	PCD	HOLE	Ctr.Hole	SIZE	ET	PCD	HOLE	Ctr.Hole	SIZE	ET	PCD	HOLE	Ctr.Hole
16*6	0	100/114.3	4/8H		19*9.5	-9.6	120.65	5H		17*8	25-42	100-114.3	5H	
					18*9	-6.35	120.65	5H						
					18*8	0	120.65	5H						



JH00668



JH00677



JH00661

SIZE	ET	PCD	HOLE	Ctr.Hole	SIZE	ET	PCD	HOLE	Ctr.Hole	SIZE	ET	PCD	HOLE	Ctr.Hole
18*8	35	100-112	4/5/8H		18*8	35-45	114.3	5H		17*8	30-40	100-114.3	4/5/8H	
18*9.5	38	100-112	4/5/8H							15*8	30-35	100-114.3	4/5/8/10H	



JH00657



JH00658



JH00608

SIZE	ET	PCD	HOLE	Ctr.Hole	SIZE	ET	PCD	HOLE	Ctr.Hole	SIZE	ET	PCD	HOLE	Ctr.Hole
15*7	30	100-114.3	4/5/8H		15*7	30	100-114.3	4/5/8H		13*5	20	98		
16*8	30	100-114.3	4/5/8H		16*8	30	100-114.3	4/5/8H		13*8	-10	98		



JH00553



JH00671



JH00656

SIZE	ET	PCD	HOLE	Ctr.Hole	SIZE	ET	PCD	HOLE	Ctr.Hole	SIZE	ET	PCD	HOLE	Ctr.Hole
13*6	0	100-114.3	4/8H		16*7	35	100-114.3	4/5/8H		15*7	5-30	100-114.3	4/5/8H	57.1-73.1
12*4.5	20	100-114.3	4/8H		15*6	35~52.5	100-114.3	4H		15*8	25	100-114.3	4/5/8H	57.1-73.1
14*6	0	100-114.3	4H		16*6.5	33*50	100-114.3	4H		13*6.5	-10	100-114.3	4H	



JH00556



JH00625



JH00626

SIZE	ET	PCD	HOLE	Ctr.Hole	SIZE	ET	PCD	HOLE	Ctr.Hole	SIZE	ET	PCD	HOLE	Ctr.Hole
14*8	2.4	156	4H		15*7	35	100-114.3	4/8H		15*7	35	100-114.3	4/5/8H	
					15*8.5	25	100-114.3	4/8H		15*8	25	100-114.3	4/5/8H	



JH00563



JH00566



JH00567

SIZE	ET	PCD	HOLE	Ctr.Hole	SIZE	ET	PCD	HOLE	Ctr.Hole	SIZE	ET	PCD	HOLE	Ctr.Hole
17*9	10	100-114.3	4/5/8H		14*5.5	35	100-114.3	4/8H		14*5.5	24-35	100-114.3	5H	
15*7	35	100-114.3	4H		15*5	45	100	4H		15*6.5	22-35	100-114.3	5H	
14*6	30	100-114.3	4H		16*6.5	48	100	4H		16*6.5	22-38	100-114.3	5H	
					16*6.5	42-52	100	4H						
					17*7	45	100	4H						



JH00412



JH00413



JH00414

SIZE	ET	PCD	HOLE	Ctr.Hole	SIZE	ET	PCD	HOLE	Ctr.Hole	SIZE	ET	PCD	HOLE	Ctr.Hole
16*7	25-38	100-114.3	4/5/8/10H		14*6	20-30	99	4H		14*6	30-35	99	4H	
16*8.5	25-35	100-114.3	4/5/8/10H							15*6.5	20-30	99	4H	



JH04095



JH04121



JH04111

SIZE	ET	PCD	HOLE	Ctr.Hole	SIZE	ET	PCD	HOLE	Ctr.Hole	SIZE	ET	PCD	HOLE	Ctr.Hole
15*7	30-35	100-114.3	4/8H		17*7.5	30~45	100-114.3	4/5/8H		15*7	30-38	100-114.3	4/5/8H	
					18*8	25~45	100-120	5H						
					18*9	25~38	100-120	5H						



JH04160



JH08090



JH04162

SIZE	ET	PCD	HOLE	Ctr.Hole	SIZE	ET	PCD	HOLE	Ctr.Hole	SIZE	ET	PCD	HOLE	Ctr.Hole
17*7.5	30~38	100-114.3	4/5/8H		17*7.5	35-42	100-114.3	4/5/8/10H		17*7.5	25~37	100-120	4/5H	
18*8	30~42	100-114.3	4/5/8H		17*8.5	25~30	100-114.3	4/5/8/10H		17*8.5	15~25	100-120	4/5H	
18*9	35~45	100-114.3	4/5/8H							17*9.5	10~20	100-120	4/5H	
										18*9	15~25	100-120	4/5H	
										18*10	10~20	100-120	4/5H	



JH08059



JH80105



JH06016

SIZE	ET	PCD	HOLE	Ctr.Hole	SIZE	ET	PCD	HOLE	Ctr.Hole	SIZE	ET	PCD	HOLE	Ctr.Hole
19*8.5	30-40	100-120	5H		15*7	20~35	100-114.3	4H		19*8.5	40	108-130	5H	56.1-73.2
19*9.5	45	100-120	5H		15*8	20~25	100-114.3	4/8H		19*9.5	35	108-130	5H	56.1-73.2
					18*8	25~30	100-114.3	4/5/8/10H						



JH06008



JH06008



JH06010

SIZE	ET	PCD	HOLE	Ctr.Hole	SIZE	ET	PCD	HOLE	Ctr.Hole	SIZE	ET	PCD	HOLE	Ctr.Hole
17*7.5	38	100-114.3	5H	56.1-73.1	16*7	35	100-114.3	4H	56.1-73.2	20*9	15-45	108-130	5H	56.1-73.2
18*8	38-42	100-114.3	5H	56.1-73.1	17*7	35	100-114.3	4H	56.1-73.2					



JH06024



JH07062



JH06026

SIZE	ET	PCD	HOLE	Ctr.Hole	SIZE	ET	PCD	HOLE	Ctr.Hole	SIZE	ET	PCD	HOLE	Ctr.Hole
15*7	40	100	4H	73.1	15*8	15	100-114.3	4H		15*7	35	100-114.3	8/10H	73.1
15*8	20-30	100	4H	73.1	15*9	15	100-114.3	4H						



JH07059



JH07059



JH07073

SIZE	ET	PCD	HOLE	Ctr.Hole	SIZE	ET	PCD	HOLE	Ctr.Hole	SIZE	ET	PCD	HOLE	Ctr.Hole
20*9R	35-45	100-120	5/10H	57.1-73.1	17*7.5R	35-45	100-120	4/5/8/10H	57.1-73.1	15*7	15	100-114.3	4/5H	73.1
20*10R	35-45	100-120	5/10H	57.1-73.1	17*8.5R	30-40	100-120	4/5/8/10H	57.1-73.1	15*8	20	100-114.3	4/5H	73.1
20*9L	35-45	100-120	5/10H	57.1-73.1	17*7.5L	35-45	100-120	4/5/8/10H	57.1-73.1	17*8.5	30	100-114.3	4/5/8H	73.1
20*10L	35-45	100-120	5/10H	57.1-73.1	17*8.5L	30-40	100-120	4/5/8/10H	57.1-73.1	17*10	20	100-114.3	4/5/8H	73.1
15*8R	0-35	100-114.3	4/5/8/10H	57.1-73.1	15*9R	0-35	100-114.3	4/5/8/10H	57.1-73.1					
15*8L	0-35	100-114.3	4/5/8/10H	57.1-73.1	15*9L	0-35	100-114.3	4/5/8/10H	57.1-73.1					



JH07074



JH07075



JH08105

SIZE	ET	PCD	HOLE	Ctr.Hole	SIZE	ET	PCD	HOLE	Ctr.Hole	SIZE	ET	PCD	HOLE	Ctr.Hole
15*8	-5	114.3	4H		14*8	-10	114.3	4H		16*7.5	30-38	100-114.3	4/5/8/10H	
15*9	-10	114.3	4H		14*9	-25	114.3	4H		17*8	30-35	100-114.3	4/5/8/10H	
15*10	-32	114.3	4H		14*10	-36	114.3	4H						



JH08038



JH00294



JH00294

SIZE	ET	PCD	HOLE	Ctr.Hole	SIZE	ET	PCD	HOLE	Ctr.Hole	SIZE	ET	PCD	HOLE	Ctr.Hole
15*7.25	30-33	100-114.3	4H		17*7.5	35-38	100-114.3	4/5/8H		17*8	22-35	100-114.3	4/5H	
18*9.5	20-25	100-120	5H		18*8	25-45	100-115	8/10H		17*9	25-35	100-114.3	4/5H	
18*10.5	25-30	100-120	5H		18*9	20-38	100-115	8/10H		17*8	26-36	100-114.3	4/5/8H	
					18*8.5	25-33	100-114.3	5H		16*7	28-35	100-114.3	4/5/8H	
					18*9.5	22-38	100-114.3	5H		15*7	28-35	100-114.3	4/5/8H	



JH08078



JH08072



JH08052

SIZE	ET	PCD	HOLE	Ctr.Hole	SIZE	ET	PCD	HOLE	Ctr.Hole	SIZE	ET	PCD	HOLE	Ctr.Hole
15*6.5	38	100-114.3	4/5/8/10H		17*8	32	100-114.3	4/5/8/10H		15*7	30	100	4H	
17*7.5	38	100-114.3	4/5/8/10H		19*8.5	15-42	100-120	5/10H		17*7.5	30	100-114.3	4/5/8H	
					19*9.5	20-38	100-120	5/10H		18*8	35	100-114.3	5H	



JH08083



JH08089



JH08092

SIZE	ET	PCD	HOLE	Ctr.Hole	SIZE	ET	PCD	HOLE	Ctr.Hole	SIZE	ET	PCD	HOLE	Ctr.Hole
18*8	15-40	100-120	5H		17*7.5	30	100-114.3	4/5/8/10H		15*7	25-38	100-114.3	4/5/8/10H	
18*9	20-38	100-120	5H		17*9	25	100-114.3	4/5/8/10H		16*7	40	100-114.3	4/5/8/10H	



JH10372



JH08127



JH08084

SIZE	ET	PCD	HOLE	Ctr.Hole	SIZE	ET	PCD	HOLE	Ctr.Hole	SIZE	ET	PCD	HOLE	Ctr.Hole
13*6	25	100-114.3	4/8H		18*8.5	20-38	100-120	5H		15*7	30-35	100-114.3	4/5/8/10H	
15*7	15-30	100-114.3	4/8H		18*9	20-40	100-120	5H		17*7.5	35-42	100-114.3	4/5/8/10H	
15*8	25	100-114.3	4/8H		15*7	35	100-114.3	4/5/8H		18*8	36-42	100-120	5H	
16*7.5	10	100-114.3	4/8H		16*7.5	35	100-114.3	4/5/8H		18*9	35-42	100-120	5H	
16*9	15	100-114.3	4/8H		17*8	20-35	100-114.3	4/5/8H		19*8.5	15-40	100-120	5H	
17*7	15-30	100-114.3	4/5/8/10H							19*9.5	20-38	100-120	5H	
17*8.5	15-30	100-114.3	4/5/8/10H											



JH10585



JH10328



JH10649

SIZE	ET	PCD	HOLE	Ctr.Hole	SIZE	ET	PCD	HOLE	Ctr.Hole	SIZE	ET	PCD	HOLE	Ctr.Hole
18*8	40	100-120	5H		17*7	25-40	100-114.3	5H		18*8	15-34	105-120	5H	
18*9	40	100-120	5H							18*9	15-34	105-120	5H	



JH10595



JH12114



JH10612

SIZE	ET	PCD	HOLE	Ctr.Hole	SIZE	ET	PCD	HOLE	Ctr.Hole	SIZE	ET	PCD	HOLE	Ctr.Hole
15*7	30	100-120	5H		13*6	30	100-114.3	4/8H	73.1	26*10	10-25	100-130	5H	
17*7.5	35	100-120	5H		14*6	30	100-114.3	4/8H	73.1	22*9	13-30	100-130	5H	
18*8	15-40	100-120	5H		15*7	30-35	100-114.3	4/5/8H	67.1-73.1	24*9.5	13-30	100-130	5H	
18*9	20-35	100-120	5H		16*7	38	100-114.3	5H	67.1-73.1	28*10	13-30	100-130	5H	
19*8.5	15-40	100-120	5H		17*7.5	35	100-114.3	8H	67.1-73.1	20*8.5	15-35	100-130	5H	
19*9.5	20-35	100-120	5H											



JH10597



JH10621



JH10622

SIZE	ET	PCD	HOLE	Ctr.Hole	SIZE	ET	PCD	HOLE	Ctr.Hole	SIZE	ET	PCD	HOLE	Ctr.Hole
15*7.5	20-30	100-114.3	4/5H		18*8	35	100-120	5H		17*7.5	38	100-114.3	4/5/8H	
					18*9	30	100-120	5H		16*7	25-35	100-114.3	4/5/8H	
										15*7	20-35	100-114.3	4/5/8H	



JH12086



JH00019



JH12094

SIZE	ET	PCD	HOLE	Ctr.Hole	SIZE	ET	PCD	HOLE	Ctr.Hole	SIZE	ET	PCD	HOLE	Ctr.Hole
15*7	35-42	100	4H	67.1	13*5.5	35-40	100	4H		15*8.25	20	100-114.3	8H	67.1-73.1
					14*6	25-40	114.3	5H						
					15*6	38-52.5	114.3	5H						



JH12107



JH12106



JH12115

SIZE	ET	PCD	HOLE	Ctr.Hole	SIZE	ET	PCD	HOLE	Ctr.Hole	SIZE	ET	PCD	HOLE	Ctr.Hole
15*7	35	100-114.3	8H	73.1	15*7	35	100-114.3	8H	73.1	18*8	15/35/42	100-120	5H	57.1-74.1
15*8	20	100-114.3	4H	73.1	15*8	20	100-114.3	4H	73.1	18*9	15/35/42	100-120	5H	57.1-74.1
16*8	20	100-114.3	5/8H	73.1	16*8	20	100-114.3	5H	73.1	19*8.5	15/35/42	100-120	5H	57.1-74.1
16*9	20-25	100-114.3	5/8H	73.1	16*9	20-25	100-114.3	4/5/8H	73.1	19*9.5	15/35/42	100-120	5H	57.1-74.1
18*9	22	100-120	5H	73.1	18*9	22	100-120	5H	73.1					
18*10	22	100-120	5H	73.1	18*10	22	100-120	5H	73.1					



JH12165



JH12163



JH12171

SIZE	ET	PCD	HOLE	Ctr.Hole	SIZE	ET	PCD	HOLE	Ctr.Hole	SIZE	ET	PCD	HOLE	Ctr.Hole
15*7	35	100-114.3	8H	73.1	18*8	30-45	100-120	5H	67.1-73.1	16*7.5	35	100-114.3	5-8H	67.1-73.1
15*8	20	100-114.3	4H	73.1	18*9	30-40	100-120	5H	67.1-73.1	17*7.5	30-42	100-114.3	5H	67.1-73.1
16*8	20	100-114.3	4/6/8H	73.1	19*8.5	30-45	100-120	5H	67.1-73.1	17*8.5	20-37	100-114.3	5H	67.1-73.1
16*9	20-25	100-114.3	4/5/8H	73.1	19*9.5	30-40	100-120	5H	67.1-73.1	18*8	30-45	100-120	5H	67.1-73.1
18*9	22	100-120	5H	73.1	20*9	30-45	100-120	5H	67.1-73.1	18*9	20-40	100-120	5H	67.1-73.1
18*10	22	100-120	5H	73.1	20*10	20-35	100-120	5H	67.1-73.1	19*8.5	30-45	100-120	5H	67.1-73.1
19*9.5	12-40	100-120	5H	73.1	15*7	17-30	100-114.3	4/5/8H	67.1-73.1	19*9.5	20-40	100-120	5H	67.1-73.1
19*10.5	12-35	100-120	5H	73.1	16*7	17-35	100-114.3	4/5/8H	67.1-73.1	18*8.5	20-37	100-114.3	4/5/8H	67.1-73.1
										20*8.5	35-38	100-120	5H	67.1-73.1



JH12172



JH12176



JH12188

SIZE	ET	PCD	HOLE	Ctr.Hole	SIZE	ET	PCD	HOLE	Ctr.Hole	SIZE	ET	PCD	HOLE	Ctr.Hole
17*7.5	15-42	100-120	5/10H	67.1-74.1	17*7.5	30-40	100-120	5H/10H	73.1	15*7	35	100-114.3	4/5/8H	73.1
18*8	15-45	100-120	5/10H	67.1-74.1	18*8	35	100-120	5H	73.1	15*8.5	25	100-114.3	4/5/8H	73.1
18*9	15-45	100-120	5/10H	67.1-74.1	18*9	35	100-120	5H	73.1	18*9	12-40	100-114.3	5H	73.1
19*8.5	15-45	100-120	5/10H	67.1-74.1	19*8	35	100-120	5H	73.1	18*9.5	12-45	100-114.3	5H	73.1
19*9.5	15-45	100-120	5/10H	67.1-74.1	19*9	35	100-120	5H	73.1	18*10.5	12-35	100-114.3	5H	73.1
20*8.5	15-45	100-120	5/10H	67.1-74.1	20*8.5	35	100-120	5H	73.1	19*9.5	12-40	100-120	5H	73.1
20*10	15-45	100-120	5/10H	67.1-74.1	20*9.5	35	100-120	5H	73.1	19*10.5	12-35	100-120	5H	73.1



JH12211



JH12182



JH12183

SIZE	ET	PCD	HOLE	Ctr.Hole	SIZE	ET	PCD	HOLE	Ctr.Hole	SIZE	ET	PCD	HOLE	Ctr.Hole
17*8.5	20	100-114.3	4/5H	73.1	17*8	35-40	100-114.3	4/5/8H	67.1-73.1	17*7.5	42	100-114.3	4/5/8H	67.1-73.1
					18*8.5	35-42	100-114.3	4/5/8H	67.1-73.1	17*8.5	30	100-114.3	4/5/8H	67.1-73.1
										18*7	35	100-114.3	4/5/8H	73.1
										14*6	30	100-114.3	8H	73.1
										16*8.5	30	100-114.3	4/5/8H	73.1



JH12184



JH12185



JH12186

SIZE	ET	PCD	HOLE	Ctr.Hole	SIZE	ET	PCD	HOLE	Ctr.Hole	SIZE	ET	PCD	HOLE	Ctr.Hole
15*7	35	100-114.3	4/5/8H	73.1	15*7	35	100-114.3	4/5/8H	73.1	15*7	33	100-114.3	4/5/8H	73.1
15*8.25	25	100-114.3	4/5/8H	73.1	15*8.5	25	100-114.3	4/5/8H	73.1	16*7	35	100-114.3	4/5/8H	73.1
					16*7	35	100-114.3	4/5/8H	73.1					
					16*8.5	25	100-114.3	4/5/8H	73.1					



JH12216



JH12222



JH12226

SIZE	ET	PCD	HOLE	Ctr.Hole	SIZE	ET	PCD	HOLE	Ctr.Hole	SIZE	ET	PCD	HOLE	Ctr.Hole
17*8	25-35	100-114.3	4/5/8H	73.1	14*6	30-35	100-114.3	8H	73.1	15*7	15-35	100-114.3	8H	73.1
17*9	15-25	100-114.3	4/5/8H	73.1	15*6.5	30	100-114.3	8H/10H	73.1	16*7	15-38	100-114.3	8H	73.1
18*8.5	38	100-114.3	5H		16*7	35	100-114.3	8H/10H	73.1	13*6	30	100-114.3	4/8H	73.1
18*9.5	35	100-114.3	5H		16*7	30-35	100-114.3	8H/10H	73.1	14*6	12-30	100-114.3	4/8H	73.1
					17*7.5	30-40	100-114.3	8H/10H	73.1					
					17*8	35-42	100-114.3	8H/10H	73.1					



JH08047



JH12217



JH12249

SIZE	ET	PCD	HOLE	Ctr.Hole	SIZE	ET	PCD	HOLE	Ctr.Hole	SIZE	ET	PCD	HOLE	Ctr.Hole
15*8	0	100-114.3	4/8H	73.1	15*8.5	15-20	100-114.3	4/5/8H	73.1	18*8.5	35	112	5H	66.6
15*9	0	100-114.3	4/8H	73.1	18*8.5	25-35	100-120	4/5H	73.1	18*9.5	35	112	5H	66.6
					18*9.75	20-30	100-120	4/5H	73.1					



JH14943



JH14944



JH00471

SIZE	ET	PCD	HOLE	Ctr.Hole	SIZE	ET	PCD	HOLE	Ctr.Hole	SIZE	ET	PCD	HOLE	Ctr.Hole
18*9.5	20-40	100-114.3	5H	73.1	18*9.5	20-40	100-114.3	5H	73.1	18*8.5	20-38	108-120	5/10H	
										18*9.5	20-35	108-120	5/10H	



JH00036



JH18062



JH14912

SIZE	ET	PCD	HOLE	Ctr.Hole	SIZE	ET	PCD	HOLE	Ctr.Hole	SIZE	ET	PCD	HOLE	Ctr.Hole
20*9	20-40	5*115	5H		14*6.5	25~35	100-114.3	4/8H		18*8	35	120	5H	72.56
19*8.5	20-46	100-120	5/10H		15*7	25~35	100-114.3	4/5/8H		18*8.5	20-35	120	5H	72.56
19*9.5	20-46	100-120	5/10H		15*8	20~30	100-114.3	4/5/8H		19*8.5	25-35	120	5H	72.56
18*8	35-46	100-120	4/5/8/10H		17*7.5	25~35	100-114.3	4/5/8H		19*9.5	25-35	120	5H	72.56
18*9	24-38	100-120	4/5/8/10H		17*8.5	20~30	100-114.3	4/5/8H						
18*10	22-43	100-120	4/5/8H		17*10	20~30	100-114.3	4/5/8H						
17*7.5	20-46	100-114.3	4/5/8H		13*6	20~30	100-114.3	4/8H						
16*7	20-46	100-114.3	4/5/8H											



JH14892



JH14893

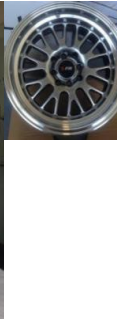


JH14894

SIZE	ET	PCD	HOLE	Ctr.Hole	SIZE	ET	PCD	HOLE	Ctr.Hole	SIZE	ET	PCD	HOLE	Ctr.Hole
18*9.5	12-22	114.3	5H	73.1	18*9.5	12-22	114.3	5H	73.1	18*9.5	12-22	114.3	5H	73.1
18*10.5	15-25	114.3	5H	73.1	18*10.5	15-25	114.3	5H	73.1	18*10.5	15-25	114.3	5H	73.1
19*9.5	12-22	114.3	5H	73.1	19*9.5	12-22	114.3	5H	73.1	19*9.5	12-22	114.3	5H	73.1
19*11	15-25	114.3	5H	73.1	19*11	15-25	114.3	5H	73.1	19*11	15-25	114.3	5H	73.1



JH18004



JH18010



JH18009

SIZE	ET	PCD	HOLE	Ctr.Hole	SIZE	ET	PCD	HOLE	Ctr.Hole	SIZE	ET	PCD	HOLE	Ctr.Hole
15*6	35	100-114.3	4/8H	57.1-73.1	15*8	0	100-114.3	4/8H		15*8	25-35	100-114.3	4/5/8H	73.1
14*6	35	100-114.3	4/8H	57.1-73.1						15*7	25-35	100-114.3	4/5/8H	73.1
										16*8	0-25	100-114.3	4/5/8H	73.1



JH18088



JH18050



JH18051

SIZE	ET	PCD	HOLE	Ctr.Hole	SIZE	ET	PCD	HOLE	Ctr.Hole	SIZE	ET	PCD	HOLE	Ctr.Hole
15*7.5	30-35	100-114.3	4/5/8H		15*8	25	100-114.3	4/5/8H		15*8	25	100-114.3	4/5/8H	
15*8.5	25-30	100-114.3	4/5/8H											
16*7.5	30-35	100-114.3	4/5/8H											
16*8.5	25-30	100-114.3	4/5/8H											



JH18101



JH18099



JH18100

SIZE	ET	PCD	HOLE	Ctr.Hole	SIZE	ET	PCD	HOLE	Ctr.Hole	SIZE	ET	PCD	HOLE	Ctr.Hole
15*7	30-38	100-114.3	4/5/8H		15*7.5	35	100-114.3	4/5/8H		15*7.5	25-35	100-114.3	4H	
17*7.5	30-38	100-114.3	4/5/8H		15*8.5	25	100-114.3	4/5/8H						



JH00025



JH00025



JH00025

SIZE	ET	PCD	HOLE	Ctr.Hole	SIZE	ET	PCD	HOLE	Ctr.Hole	SIZE	ET	PCD	HOLE	Ctr.Hole
19*8.5	20-35	100-120	4/5/8/10H		18*8.5	15-40	100-120	4/5/8/10H		16*8	10	100-114.3	4/5/8H	
19*9.5	20-35	100-120	4/5/8/10H		18*9.5	10-28	100-120	4/5/8/10H		16*7	20-30	100-114.3	4/5/8H	
19*11	15-35	100-120	4/5/8/10H		17*9	20	100-120	4/5/8/10H		15*9	10	100-114.3	4/5/8H	
18*10.5	25	100-120	4/5/8/10H		16*9	10	100-114.3	4/5/8H		15*8	10-25	100-114.3	4/5/8H	
18*11	0-25	100-120	4/5/8/10H		17*8	20-35	100-114.3	4/5/8H		15*7	10-25	100-114.3	4/5/8H	
					16*8.5	15-25	100-114.3	4/5/8H						



JH00068



JH00055



JH00056

SIZE	ET	PCD	HOLE	Ctr.Hole	SIZE	ET	PCD	HOLE	Ctr.Hole	SIZE	ET	PCD	HOLE	Ctr.Hole
14*6.5	30-35	100-114.3	4/8H	57.1-73.1	15*6.5	35	100/114.3	4/5/8H		15*6.5	35	100/114.3	4/5/8H	
					14*6	35	100/114.3	4/5/8H		14*6	35	100/114.3	4/5/8H	



JH00057



JH00058



JH00059

SIZE	ET	PCD	HOLE	Ctr.Hole	SIZE	ET	PCD	HOLE	Ctr.Hole	SIZE	ET	PCD	HOLE	Ctr.Hole
15*6.5	38-30	100-114.3	4/8H	57.1-73.1	15*6.5	38--35	114.3	4H	57.1---73.1	15*6.5	35-40	100-114.3	4/5/8H	57.1-73.1
14*6	25-37	100-114.3	4/8H	57.1-73.1	14*6	37--35	114.3/100	4/8H	57.1---73.1	14*6	25-37	100-114.3	4/8H	57.1-73.1



JH00060



JH00061



JH00062

SIZE	ET	PCD	HOLE	Ctr.Hole	SIZE	ET	PCD	HOLE	Ctr.Hole	SIZE	ET	PCD	HOLE	Ctr.Hole
15*6.5	35	100/114.3	4/5/8H		15*6.5	37--30	114.3/100	4H	57.1---73.1	15*6.5	35	100-114.3	4/5/8H	
14*6	35	100/114.3	4/5/8H		14*6	37--25	114.3/100	4H	57.1---73.1					



JH00039



JH00090



JH00096

SIZE	ET	PCD	HOLE	Ctr.Hole	SIZE	ET	PCD	HOLE	Ctr.Hole	SIZE	ET	PCD	HOLE	Ctr.Hole
13*6	27-35	100	4H		20*10	30-43	100-120	5H		15*6.5	35	100-110.1	4/8H	
					20*8.5	30-43	100-120	5H		14*5.5	38	100-110.1	4/8H	



JH00144



JH00303



JH00135



SIZE	ET	PCD	HOLE	Ctr.Hole	SIZE	ET	PCD	HOLE	Ctr.Hole	SIZE	ET	PCD	HOLE	Ctr.Hole
22*10.5	15-40	100-120	5H		17*8	35	100-120	4/5/8/10H	73.1	15*6.5	0	114.3-139.7	4/5/6/8H	
22*10	15-40	100-120	5H		17*9	30	100-120	4/5/8/10H	73.1	13*5.5	-10	98-114.3	4H	
22*9	15-38	100-120	5H		18*8.5	35-40	100-120	5H	73.1	14*6	0	114.3-139.7	4/5/6/8H	
20*10.5	15-40	100-120	5H		18*9.5	35-40	100-120	5H	73.1	14*6.5	-10-0	114.3-139.7	5/6H	
20*10	10-40	100-120	5H		16*8	25-30	100-114.3	4/5/8/10H	73.1	13*6	-8- (-5)	114.3	4H	
20*9	15-38	100-120	5H		16*9	15-30	100-114.3	4/5/8/10H	73.1	13*6.5	-10	114.3	4H	
19*10.5	10-25	100-120	5H		15*7	38	100-114.3	4/5/8H	73.1	12*4.5	0	114.3	4H	
19*9.5	22-35	100-120	5H							12*5.5	-8- (-5)	114.3	4H	
19*8.5	17-35	100-120	5H											



JH00248



JH00159



JH00242

SIZE	ET	PCD	HOLE	Ctr.Hole	SIZE	ET	PCD	HOLE	Ctr.Hole	SIZE	ET	PCD	HOLE	Ctr.Hole
15*8	10-25	100-114.3	4H		17*10	15-30	100-114.3	4/5/8H	57.1-73.1	14*10	-32	114.3	4H	73.1
15*9	10	100-114.3	4H		17*8.5	15-35	100-114.3	4/5/8H	57.1-73.1	14*9	-10	114.3	4H	73.1
16*7	20	100-114.3	4H		16*9	10-25	100-114.3	4/5/8H	57.1-73.1	14*8	-5	114.3	4H	73.1
14*5.5	20	100-114.3	4H		16*8	20-30	100-114.3	4/5/8H	57.1-73.1					
17*10	15	100-114.3	4H		14*6.5	20-25	100-114.3	4/5/8H	57.1-73.1					
					15*8	15	100-114.3	4/5H	67.1-73.1					



JH00278



JH00279



JH00268

SIZE	ET	PCD	HOLE	Ctr.Hole	SIZE	ET	PCD	HOLE	Ctr.Hole	SIZE	ET	PCD	HOLE	Ctr.Hole
17*7	30-40	100-114.3	4/8H		17*7.5	20-42	100-114.3	4/5/8H		14*7	20	100-108	8H/10H	
18*8	30-40	100-120	4/5/8/10H		17*8.5	35	100-114.3	4/5/8H		15*8	20	100-108	8H/10H	
20*8	35	100-120	4/5/8/10H							16*8.5	20	100-108	8H/10H	



JH00309



JH00320



JH00401

SIZE	ET	PCD	HOLE	Ctr.Hole	SIZE	ET	PCD	HOLE	Ctr.Hole	SIZE	ET	PCD	HOLE	Ctr.Hole
15*7	20-30	100-114.3	4/5H	73.1	19*8.5	25-40	100-120	5H	57.1-73.1	17*9	15-35	100-114.3	5H	
15*8	15-25	100-114.3	4/5H	73.1	19*9.5	25-40	100-120	5H	57.1-73.1	18*9.5	15-22	100-120	5H	
16*8.5	17	100-114.3	4/5H	73.1	18*8.5	25-40	100-120	5H	57.1-73.1	18*10.5	16-22	100-120	5H	
16*8	15-25	100-114.3	4/5H	73.1	18*9.5	25-40	100-120	5H	57.1-73.1	15*7	35	100-114.3	4H	
17*8	30	100-114.3	4/5/8H	73.1										
14*6	35	100-114.3	4/8H	73.1										



JH00343



JH00333



JH00377

SIZE	ET	PCD	HOLE	Ctr.Hole	SIZE	ET	PCD	HOLE	Ctr.Hole	SIZE	ET	PCD	HOLE	Ctr.Hole
17*8	30-35	100-114.3	4/5/8/10H	57.1-73.1	14*6.5	35	100-114.3	4/5/8H	57.1-73.1	15*7	30-35	100-114.3	8/10H	
										15*8	25	100-114.3	8/10H	



JH00380



JH00384



JH00385

SIZE	ET	PCD	HOLE	Ctr.Hole	SIZE	ET	PCD	HOLE	Ctr.Hole	SIZE	ET	PCD	HOLE	Ctr.Hole
18*8	30-40	100---120	5H10H		15*8	15-25	100-114.3	4H		15*8	15-25	100-114.3	4/5H	
18*9	30-38	100---120	5H10H		15*9	15-25	100-114.3	4H		15*9	15-25	100-114.3	4/5H	
16*8	30	100---120	4/5/8H		18*9.5	12	100-114.3	5H						
15*7	30	100---120	4/5/8H		18*10.5	15	100-114.3	5H						



JH00460



JH00462



JH00467

SIZE	ET	PCD	HOLE	Ctr.Hole	SIZE	ET	PCD	HOLE	Ctr.Hole	SIZE	ET	PCD	HOLE	Ctr.Hole
15*8L	20	100-114.3	4/5H		18*8.5	20-40	100-114.3	5H		12*5	35	100	4H	
15*8R	20	100-114.3	4/5H		18*9.5	20-40	100-114.3	5H						



JH00319



JH00474



JH00473

SIZE	ET	PCD	HOLE	Ctr.Hole	SIZE	ET	PCD	HOLE	Ctr.Hole	SIZE	ET	PCD	HOLE	Ctr.Hole
19*9.5	25	114.3-120	5H		18*8.5	20-35	100-120	5/10H		18*8.5	20-35	100-120	5H	
19*11	25	114.3-120	5H		18*9.5	20-35	100-120	5/10H		18*9.5	20-35	100-120	5H	
18*9.5	15-25	114.3-120	5H		19*8.5	20-35	100-120	5/10H		19*8.5	15-40	100-120	5H	
18*11	15-25	114.3-120	5H		19*9.5	20-35	100-120	5/10H		19*9.5	15-40	100-120	5H	
17*9	15-35	100-120	4/5H		19*10.5	20-35	100-120	5/10H		19*10.5	15-40	100-120	5H	
16*8	10-20	100-120	4/5H		20*8.5	20-35	100-120	5/10H		20*8.5	15-35	100-120	4/5/8/10H	
16*9	10-25	100-120	4/5H		20*10	20-35	100-120	5/10H		20*10	15-35	100-120	4/5/8/10H	
15*8	10-25	100-120	4/5H											
15*9	15-35	100-120	4/5H											



JH00522



JH00480



JH00531

SIZE	ET	PCD	HOLE	Ctr.Hole	SIZE	ET	PCD	HOLE	Ctr.Hole	SIZE	ET	PCD	HOLE	Ctr.Hole
15*7	0-20	100-114.3	4/5/8H		18*10	22-50	114.3	5H		22*10	30	113-130	5H	
15*8	0-20	100-114.3	4/5/8H		18*9	24-30	114.3	5H						
15*9	0-20	100-114.3	4/5/8H											



JH00502



JH00503



JH00796

SIZE	ET	PCD	HOLE	Ctr.Hole	SIZE	ET	PCD	HOLE	Ctr.Hole	SIZE	ET	PCD	HOLE	Ctr.Hole
15*7	30	100-114.3	4/5/8H		19*8.5	40	100-120	5H		13*5.5	20-30	100	4H	
					19*9	35	100-120	5H						
					19*9.5	25	100-120	5H						
					19*10.5	25	100-120	5H						
					18*8.5	45	100-120	5H						



JH00445



JH00445



JH00164

SIZE	ET	PCD	HOLE	Ctr.Hole	SIZE	ET	PCD	HOLE	Ctr.Hole	SIZE	ET	PCD	HOLE	Ctr.Hole
18*8.5L	20~42	100-114.3	5H	57.1-73.1	19*8.5FL	20~42	100-120	5H	57.1-73.1	14*6	30-38	100-114.3	4/8H	
18*8.5R	20~42	100-120	5H	57.1-73.1	19*8.5FR	20~42	100-120	5H	57.1-73.1	15*8	0	100-114.3	4/8H	
18*9.5L	20~42	100-120	5H	57.1-73.1	19*9.5RL	20~40	100-120	5H	57.1-73.1	16*7	35-40	100-114.3	4/8H	
18*9.5R	20~42	100-120	5H	57.1-73.1	19*9.5RR	20~40	100-120	5H	57.1-73.1	17*9	10	100-114.3	4/5/8H	
					15*8	20-35	100-120	5H	57.1-73.1	15*10.5	-32	100-114.3	4/8H	
										15*7	25-38	100-114.3	4/8H	



JH04067



JH00444



JH14531

SIZE	ET	PCD	HOLE	Ctr.Hole	SIZE	ET	PCD	HOLE	Ctr.Hole	SIZE	ET	PCD	HOLE	Ctr.Hole
15*7	35~38	100-114.3	4/8H		16*8	20	100-114.3	4H		115*8.25	0	100-114.3	8H	67.1-74.1
15*8.25	25~30	100-114.3	4/8H		16*9	15	100-114.3	4H		17*8.25	30	100-120	10H	67.1-74.1
17*7.5	20~40	100-114.3	4/5/8/10H		17*8	25-35	100-120	4/5H		17*9.75	25	100-120	10H	67.1-74.1
17*8	20~40	100-114.3	4/5/8/10H		17*9	20-30	100-120	4/5H		18*8.75	30	100-120	10H	67.1-74.1
17*9	20~40	100-114.3	4/5/8/10H		18*8.5	35	100-120	4/5H		18*9.75	20	100-120	10H	67.1-74.1
18*8.5	20~40	100-114.3	4/5/8/10H		18*9.5	30	100-120	4/5H		19*8.5	20-35	100-120	10H	74.1
18*9.5	20~38	100-114.3	5/10H							19*10	20-30	100-120	10H	74.1



JH10483



JH10483



JH00728

SIZE	ET	PCD	HOLE	Ctr.Hole	SIZE	ET	PCD	HOLE	Ctr.Hole	SIZE	ET	PCD	HOLE	Ctr.Hole
15*7	-6	100-127	5H		18*8	-6	100-127	5H		16*6	42	100-114.3	4/5H	
15*8	0	100-127	5H		18*9	-6	100-127	5H						
17*8	-6	100-127	5H		20*8.5	-6	114.3-127	5H						
17*9	-6	100-127	5H		20*10	-6	114.3-127	5H						



JH00738



JH00754



JH00723

SIZE	ET	PCD	HOLE	Ctr.Hole	SIZE	ET	PCD	HOLE	Ctr.Hole	SIZE	ET	PCD	HOLE	Ctr.Hole
13*5	35	100-114.3	4/8H		15*7	25	114.3	5H		16*6	40	114.3	4H	
14*6	38	100-114.3	4/5H											
15*6.5	40	100-114.3	4/6/8H											
16*7	40	100-114.3	5H											