

# LOCK

MANUFACTURING  
EXPERT

[www.lokinlock.com](http://www.lokinlock.com)

**ZHONGSHAN FUYU HARDWARE PRODUCTS CO., LTD.**

ADD.: Liansheng South Road, Lianfeng Industrial Zone, Xiaolan,  
Zhongshan, China.  
Post Code: 528416  
TEL:+86-760-2213 8688(50 Lines)  
FAX:+86-760-2210 1021  
Email: sales@lokinlock.com



**FUYU & LOKIN**  
MECHANICAL LOCK  
2018-2019

"The bitterness of poor quality remains long after the sweetness of low price is forgotten." We always keep this in mind.

The owner of our factory has dedicated to lock set manufacture industry almost 35 years, he understands how to make good locks.

In order to fully control and ensure trustable quality, we produce the complete lock set including cylinders and mortise locks all by ourselves in house, and our management team think over how to do that better all the time.

# INDEX

- P001** ABOUT FUYU
- P003** PRODUCTION WORKSHOP
- P004** MANUFACTURE EQUIPMENT
- P005** QUALITY TEST
- P006** FINISH AND FUNCTION LIST
- P007** 82 SERIES—GRIP HANDLE SET—MORTISE MECHANISM
- P018** 81 SERIES—GRIP HANDLE SET—MORTISE MECHANISM
- P028** 89 SERIES—GRIP HANDLE SET—MORTISE MECHANISM
- P040** 86 SERIES—GRIP HANDLE SET—TUBULAR MECHANISM
- P045** 87 SERIES / 83 SERIES / 80 SERIES—GRIP HANDLE SET—TUBULAR MECHANISM
- P051** 26 SERIES—PANEL DOOR HANDLE—MORTISE MECHANISM
- P062** 22 SERIES—ROSE DOOR HANDLE—MORTISE MECHANISM
- P068** 29 SERIES—PANEL DOOR HANDLE—MORTISE MECHANISM
- P072** 28 SERIES—PANEL DOOR HANDLE—MORTISE MECHANISM
- P077** 56 SERIES—SLIDING DOOR LOCK—MORTISE MECHANISM
- P079** 556 SERIES—SLIDING DOOR LOCK—MORTISE MECHANISM
- P081** 550 SERIES—SLIDING DOOR LOCK—ITALIAN STANDARD
- P082** 551 SERIES—SLIDING DOOR LOCK—ITALIAN STANDARD
- P083** 33 SERIES—LEVER SET—2 IN 1 MECHANISM
- P085** 32 SERIES—LEVER SET— TUBULAR MECHANISM
- P090** TUBULAR LEVER SET
- P092** TUBULAR KNOB SET
- P093** CYLINDRICAL KNOB SET
- P094** DEADBOLT
- P095** COMBO LOCK
- P096** ALUMINUM DOOR LOCK & SECURITY RIM LOCK
- P097** PROFILE CYLINDER
- P099** LOCK CASE SERIES
- P101** LATCH AND BOLT
- P102** KEY
- P104** LEVER STYLE LIST
- P105** DESIGN COLLOCATION SUGGESTIONS

# ABOUT FUYU



Established in 1999, FUYU Hardware has gradually become one of the most famous lockset & hardware manufacturers because of high quality, high added value, variety and variation. The management and engineers of FUYU possess decades of experience in the high precision lock manufacturing industry, which makes the products highly known and respected not only in China, but also in South East Asia, Europe, America, etc. Our product lines are extensive, such as high class grip handle sets, mortise locks, cylindrical Locks, tubular Locks, deadbolts, rim locks, combo locks, etc.

In 2005, we built a new modern plant with area 20,000 square meters, staff 1,000 and annual production capability of 4,000,000sets.

For non-stop improvement purpose, we have been bringing many top grade automatically manufacturing and quality testing machines in FUYU, which are applied to punching, die-casting, polishing, cylinders manufacturing, assembly production workshops and quality control system. The new equipments are capable of producing high precision locksets and quality of FUYU products has improved

obviously. In addition, because of the high-tech testing equipments, our quality testing system has met ANSI/BHMA standard.

We always pay most attention to the long-term training of production technique for our workers and management skill for our department chiefs. The experienced and creative R&D team promotes new products regularly with the popular style and excellent performance. The strict QC system ensures the products with high quality. The after-sale service team always tries the best to serve our customers.

We got certificate of ISO 9001 :2000 in 2006 and further upgraded to ISO 9001 :2008 in 2009. By endeavors of all staff day and night, we have got many qualified certificates, related to Intertek ANSI/BHMA standard, fire-proof, patent, and quality prized by authoritative organizations. Nowadays, FUYU and LOKIN, our two brands, have been widely recognized by customers from all over the world. In future, we will always try our best to make high quality, popular and reliable products for our customers.

## INTERTEK ANSI/BHMA STANDARD CERTIFICATE AND QUALITY PRIZED BY AUTHORITATIVE ORGNIZATIONS



## FIRE-PROOF CERTIFICATE



## ISO CERTIFICATE



## PATENT CERTIFICATE



# PRODUCTION WORKSHOP



Die-cast Workshop



Punching Workshop



CNC Processing Workshop



Cylinder Processing Workshop



Cylinder Assembly Line



Lock Case Assembly Line



Mechanical Lock Assembly Line



Hotel Lock Assembly Workshop



Electronic Lock Assembly Workshop



Programming Line



Precise Component Assembly Line

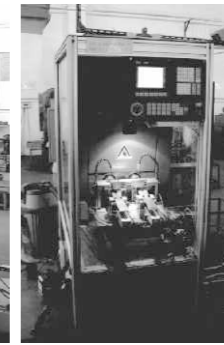
# MANUFACTURE EQUIPMENT



Computer Number Control (CNC) Lathe



CNC For Pin Hole Drilling Of Cylinder Casing



CNC For Pin Hole Drilling Of Cylinder Plug



CNC For Plug Hole Drilling Of Cylinder Casing



Broaching Machine For Cylinder Plug



CNC For Cylinder Casing Cutting



CNC For Pin Hole Drilling Of Cylinder Plug And Casing



CNC For Keyway Milling Of Angle-cut-pin



CNC For Keyway Milling Of Double-row-pin And Single-row-pin



CNC For Keyway Milling Of Yale, Kwikset, Schlage and Weiser



CNC Precise Carving Machine



1250 Kilo-newton Pressure Punch



Die-casting Machine



Robotic Arm Of Die-casting Machine



CNC For Hole Drilling Of Trim



CNC Polishing For Surface Of Forend And Strike Plate



CNC Trademark Carving Machine



Trademark Laser Printing Machine

# QUALITY TEST



Cycle Test For Individual Part



Multiple Cycle Test For Complete Set  
(Max. test 16 sets at the same time)



Complete Cycle Test For Individual Lockset



Vertical Impact Test



Horizontal Impact Test



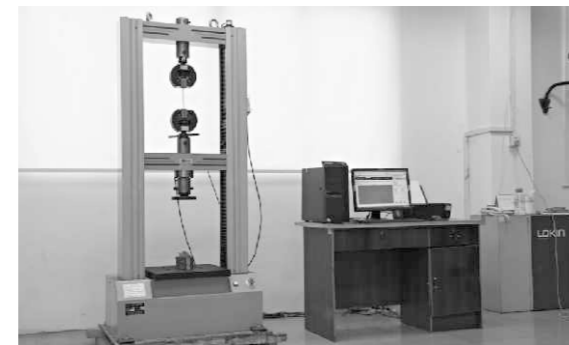
Anti-drill Test For Cylinder



Fatigue Test For Key



Salt-spray Test Equipment



Metal Plasticity Test



Pressure-Endurance Test  
Equipment



Torsion Test



Digital Dimension Projector



Accelerated Aging Test



Using Temperature Range and  
Humidity Range Test



Multiple Cycle Test



Vibration Test

# FINISH LIST

FUYU Code	US Code	Description
AB	US 5	Antique Brass
AC	US 11	Antique Copper
ACC		Antique Coffee Copper
AN	US 15A	Antique Nickel
ASL		Antique Silver
BLK		Black Paint
BN	US 17A	Black Nickel
CCH		Coffee Copper Highlighted
CP	US 26	Chrome Polished
DAB		Dim Antique Brass
DAC		Dim Antique Copper
DSN		Dim Satin Nickel
GP		True Gold Polished
GRL		Gray Lacquer
MB		Matt Black
NP		Nickel Polished
OAC		Oil Antique Copper
ORB	US 10B	Oil Rubbed Bronze
ORBH		Oil Rubbed Bronze Highlighted
PB	US 3	Polished Brass
PVD		Lifetime Finish
RG		Rose Gold
SB	US 4	Satin Brass
SCH	US 26D	Satin Chrome Plated
SG		Satin True Gold
SN	US 15	Satin Nickel
SP	US 32	Stainless Steel Polished
SS	US 32D	Satin Stainless Steel
YB		Yellow Bronze

# FUNCTION LIST

FUYU Code	Description
BK	Bathroom(privacy)function
BL	Bathroom(privacy)with indicator function
CM	Communicating function
CN	Construction key function
CR	Classroom function
DC	Double cylinders function
DM	Dummy function
ET	Entrance function
FH	Flush handle function
KA	Keyed-alike function
LB	Balcony function
MS	Master key function
PS	Passage function
ST	Storeroom(hotel)function

# FULL INTRODUCTION OF SERIES 82

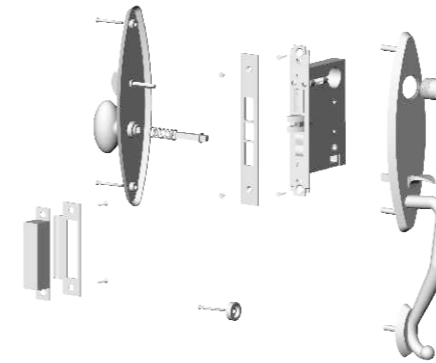
## MAIN SPECIFICATIONS

- Apply to all kinds of wooden doors and metal doors.
- Global first—creative revolutionary design for lock case.
- Mortise type.
- ANSI/BHMA Grade 2 A156.13 standard.
- 800,000 cycles.
- Patented products.
- Fire—proof mechanism.
- Anti—drill cylinder.
- Construction key function.
- Anti—insert and silent—closed three—piece latch.
- Anti—cut bolt.
- Anti—panic.
- Auto—locking.
- Easily reversible for left and right handing.

## PATENT CERTIFICATE



## ASSEMBLY ILLUSTRATION



## SUPPLYING FUNCTION FOR RESIDENTIAL:

- Entrance
- Dummy
- Two—open Door

## BOX DESIGN



## ANSI/BHMA GRADE 2 CERTIFICATE BY INTERTEK

**Intertek**  
Intertek Legal Entity: Intertek Testing Services Shenzhen Ltd. Guangzhou Branch  
Block E, No.7-2 Guang Dong Software Science Park, Cainan Road, Guangzhou Science City,  
Guangzhou, China  
Telephone/Fax: 86-20-813 9658/86-20-3205 7538

### Test Verification of Conformity

On the basis of the tests undertaken, the sample(s) of the below product have been found to comply with the requirements of the referenced specifications at the time the tests were carried out.

**Applicant Name & Address:** Zhongshan FuYu Hardware Products Co., Ltd.  
Liansheng South Road, Lianfeng Industrial Zone,  
Xiaolan, Zhongshan, Guangdong, China.

**Product(s) Tested:** Mortise Lock

**Rating(s) and principal characteristics:** Grade 2

**Model(s):** Mortise Lock-82

**Brand name:** FU YU; LOKIN

**Relevant Standard(s)/Specification(s):** ANSI/BHMA A156.13:2005

**Verification Issuing Office Name & Address:** Same as Legal Entity

**Verification/Report Number(s):** GZ11100031-1

**NOTE:** This verification is part of the full test report(s) and should be read in conjunction with it.

This verification is for the exclusive use of Intertek's client and is provided pursuant to the agreement between Intertek and its Client. Intertek's responsibility and liability are limited to the terms and conditions of the agreement. Intertek assumes no liability to any party, other than to the Client in accordance with the agreement, for any loss, expense or damage occasioned by the use of this Verification. Only the Client is authorized to permit copying or distribution of this Verification. Any use of the Intertek name or one of its marks for the sale or advertisement of the tested material, product or service must first be approved in writing by Intertek. The observations and test results are relevant only to the sample tested/inspected. This Verification by itself does not imply that the material, product, or service is or has ever been under an Intertek certification programme.

*Baud Qiu*  
Signature  
Name: Baud Qiu  
Position: Manager  
Date: December 15, 2011

www.intertek.com

**Intertek**  
INTERTEK TESTING SERVICES  
SHENZHEN LTD. GUANGZHOU BRANCH  
Block E, No.7-2 Guang Dong Software Science Park,  
Cainan Road, Guangzhou Science City,GETDD,  
Guangzhou, China 510663

**Intertek Report No. GZ11100031-1**  
Supersede Report No. GZ11100031-1 dated December 12, 2011

**EVALUATION**  
OF  
**Mortise Lock 82 Grade 2**  
FOR  
**ZhongShan FuYu Hardware Products Co., Ltd**  
Liansheng South Road, Lianfeng Industrial Zone,  
Xiaolan, Zhongshan, Guangdong, China.

**TEST STANDARD:**  
Per applicant's specifications, using the following standard as a guideline: ANSI/BHMA A156.13 - 2005 Mortise Locks and Latches

**SAMPLES:**  
Samples were identified by the applicant as Mortise Lock 82 Grade 2.  
Samples were received in good condition on September 30, 2011.

**TEST DATES:** October 8, 2011 to December 7, 2011

**RESULTS:** Compliant

Subsection	Test Description	Test Results
9.0	Operational Tests	Compliant
10.0	Security Tests	Compliant
11.0	Cycle Tests	Compliant
13.0	Material Evaluation Tests	Compliant

Amendment 1: The original GZ11100031-1 modified on December 15, 2011 to revise the applicant's address.  
The attached summary and data are results of the product testing and evaluation.

Report Prepared By: *Credy Chen*  
Credy Chen  
Engineer  
Intertek

Reviewed By: *Blusea Dong*  
Blusea Dong  
Project Engineer  
Intertek

This report is for the exclusive use of Intertek's Client and is provided pursuant to the agreement between Intertek and its Client. Intertek's responsibility and liability are limited to the terms and conditions of the agreement. Intertek assumes no liability to any party, other than to the Client in accordance with the agreement, for any loss, expense or damage occasioned by the use of this report. Only the Client is authorized to permit copying or distribution of this report and then only in its entirety. Any use of the Intertek name or one of its marks for the sale or advertisement of the tested material, product or service must first be approved in writing by Intertek. The observations and test results in this report are relevant only to the sample tested. This report by itself does not imply that the material, product, or service is or has ever been under an Intertek certification program.

Report No: GZ11100031-1R1  
ZhongShan FuYu Hardware Products Co., Ltd  
Mortise Lock 82

ANSI/BHMA 156.13 - 2005  
Date: 2011-12-15  
Page 1 of 13

## SUPPLYING FUNCTION FOR ANSI/BHMA STANDARD

FUYU CODE	DESCRIPTION	FUNCTION	ANSI NO.
82F01	Passage Latch	Latchbolt retracted by knob/lever from either side at all times.	F01
82F02	Privacy/Bathroom Lock	Latchbolt retracted by knob/lever from either side. Deadbolt thrown or retracted by emergency turn outside or thumbturn inside.	F02
82F14	Store/Utility Room Lock	Latchbolt retracted by knob/lever from either side. Deadbolt thrown or retracted by key from either side.	F14
82F16	Double Cylinder Lock	Deadbolt operated by key from either side.	F16
82F17	Cylinder x Thumbturn Lock	Deadbolt thrown or retracted by key outside or thumbturn inside.	F17
82F18	Cylinder w/o turn Lock	Deadbolt thrown or retracted by key from one side.No trim on opposite side.	F18
82F21	Dormitory/Bedroom Lock	Latchbolt retracted by knob/lever from either side. Deadbolt thrown or retracted by key outside or thumbturn inside.	F21
82F25	Storeroom with grip handle Lock	Latchbolt retracted by thumb button from either side.Deadbolt operated by key from either side.	F25

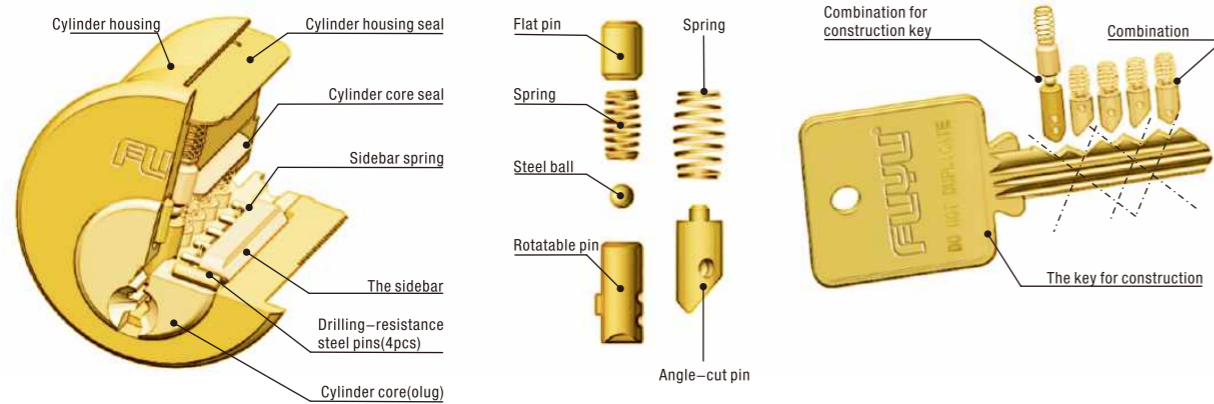
## DETAILS DESCRIPTION FOR CYLINDER

Each lock set with a sole keyway-code tag, you can only duplicate the keys by the tag, which enables the lock set to be a higher security level.



- Anti-drill American style cylinder. With construction key function.
- Solid brass cylinder (Brass housing, plugs and pins).
- With American angle-cut-pin technology, each pin is different from both angle and length, ensure top security performance.
- Processed with CNC (Computer Numeric Control) machines, key-combination is over international standard.
- Each cylinder with 5 pcs cupronickel owner keys, 1 pc brass construction and 1 pc installation key. Angle-cut-pin keyway, each set of keys with a solo keyway code tag, make your keys not to be duplicated by others. Thickness of Key is 3.0mm.

## THE STRUCTURE OF CYLINDER WITH ANGLE-CUT-PIN A B KEYS



## SUPPLYING KEYWAY

### Standard

Angle-cut-pin, American technology, higher security level.

### Customized Keyway

Double-row-pin

Dual Keyway (One Side Single-row-pin, One Side Track-cut-pin)

Yale

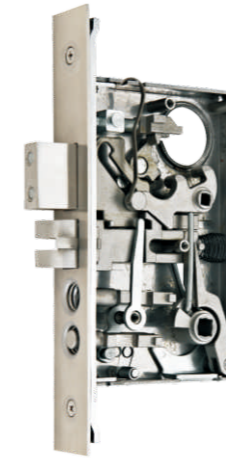
Kwikset

Schlage

Weiser

For customized keyway, MOQ is necessary, please contact our sales for win-win solution.

## DETAILS DESCRIPTION FOR LOCK CASE:



- Because of the global first-creative revolutionary design and simple structure, our lock case contains only about 60 pieces components, while other American style lock cases contain at least 90 pieces components. To achieve the same function, less parts means more simple, stable and effective, trouble-free.
- From inside to outside, including latch, bolt, rotors and cams, all parts are made by solid investment-casting stainless steel, much more durable and higher fire-proof level. So far, in worldwide lockset industry, only FUYU executes this technique, others manufacture American style lock cases with brass and steel material.
- According to the authoritative testing reports, brass-made assemblies were damaged badly after 800,000 cycles, but investment-casting stainless steel-made assemblies remain good condition after 1,200,000 cycles.



- Casing is sealed by revolving rivets, stronger and more elegant, the surface is flatter, maximum avoid potential operation problems caused by wrongly drilled holes.

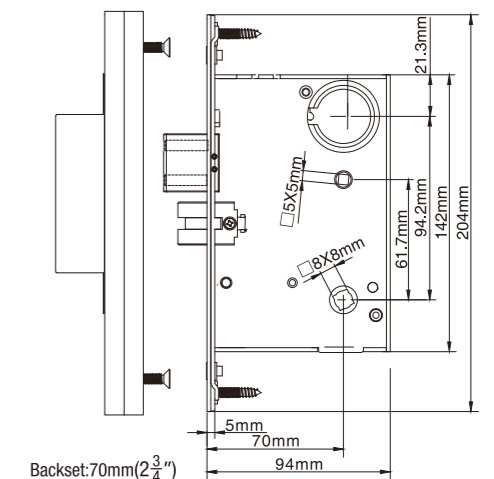


- Stainless steel for casing, strong and durable.
- Solid investment casting stainless steel 304 for bolt, hardened-steel rods inside, anti-cut.
- Solid investment casting stainless steel 304 for three-piece latch, with anti-insert and silent-closed function, easily reversible for left and right handing, no need to disassemble the complete lock case.
- Solid investment casting stainless steel 304 for auto locking/unlocking switch.
- Solid stainless steel 304 or brass for forend and strike plate, high quality metal strike box.
- Anti-panic function available for entry set.

### Specific Strike Plate for Two-Open Door (Customized fitting, not standard)



**Advantage:** The optional strike fills the big gap of two-open door which is caused by traditional strike. With it, you will never see the daylight go through from the gap when you are outside. Meanwhile, it avoids the thieves open your two-open door by inserting latch of the lock because the gap is filled. Therefore, the optional strike can make your two-open door more artistic and higher security.

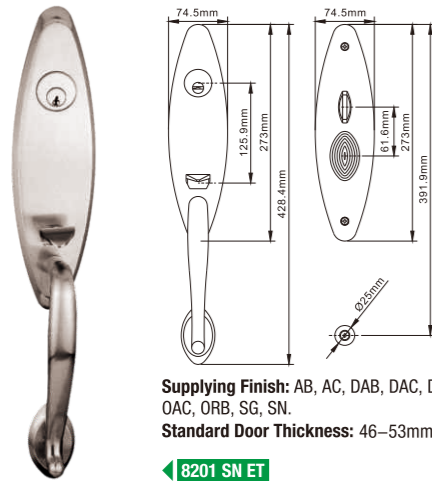




# 82 SERIES-MORTISE MECHANISM

800,000 CYCLES

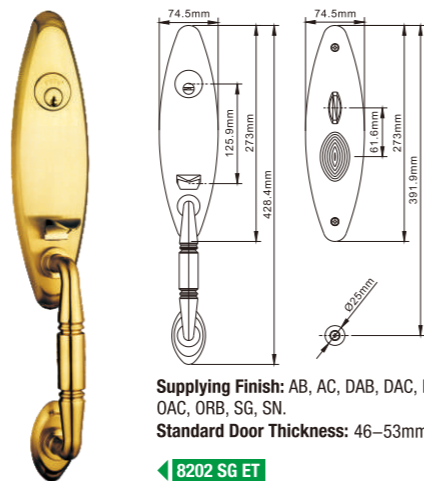
MODEL NO. : **8201** MATERIAL: Solid zinc alloy die-casting



Supplying Finish: AB, AC, DAB, DAC, DSN, GP, OAC, ORB, SG, SN.  
Standard Door Thickness: 46-53mm

◀ 8201 SN ET

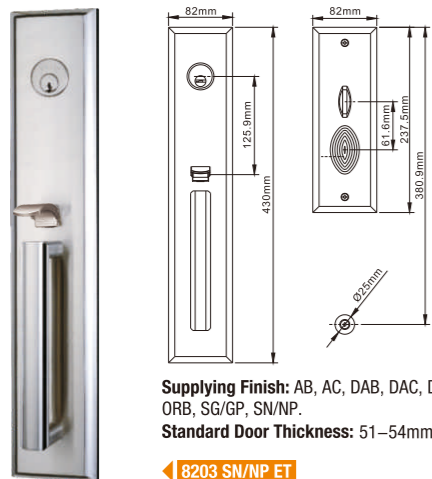
MODEL NO. : **8202** MATERIAL: Solid zinc alloy die-casting



Supplying Finish: AB, AC, DAB, DAC, DSN, GP, OAC, ORB, SG, SN.  
Standard Door Thickness: 46-53mm

◀ 8202 SG ET

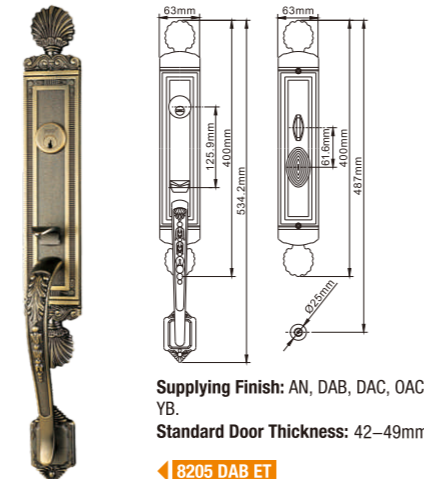
MODEL NO. : **8203** MATERIAL: Solid zinc alloy die-casting



Supplying Finish: AB, AC, DAB, DAC, DSN, OAC, ORB, SG/GP, SN/NP.  
Standard Door Thickness: 51-54mm

◀ 8203 SN/NP ET

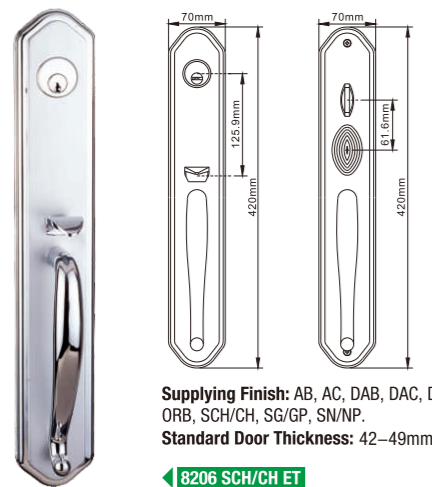
MODEL NO. : **8205** MATERIAL: Solid zinc alloy die-casting



Supplying Finish: AN, DAB, DAC, OAC, ORB, SG, YB.  
Standard Door Thickness: 42-49mm

◀ 8205 DAB ET

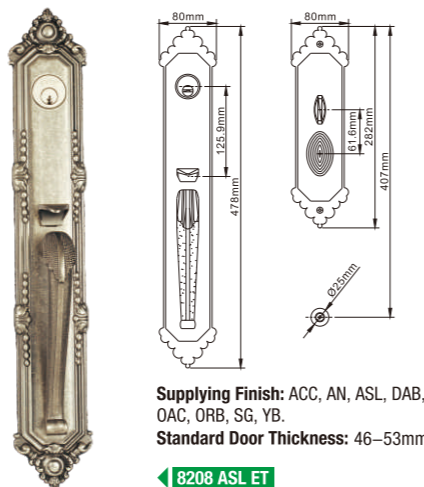
MODEL NO. : **8206** MATERIAL: Solid zinc alloy die-casting



Supplying Finish: AB, AC, DAB, DAC, DSN, OAC, ORB, SCH/CH, SG/GP, SN/NP.  
Standard Door Thickness: 42-49mm

◀ 8206 SCH/CH ET

MODEL NO. : **8208** MATERIAL: Solid zinc alloy die-casting



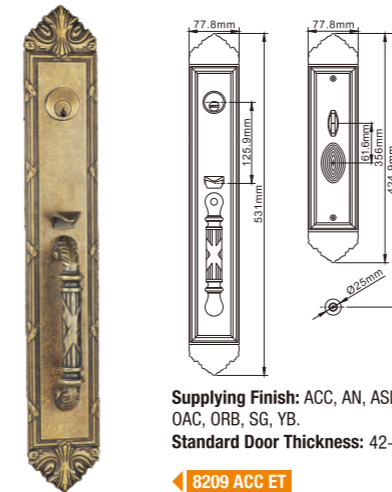
Supplying Finish: ACC, AN, ASL, DAB, DAC, GP, OAC, ORB, SG, YB.  
Standard Door Thickness: 46-53mm

◀ 8208 ASL ET

# 82 SERIES-MORTISE MECHANISM

800,000 CYCLES

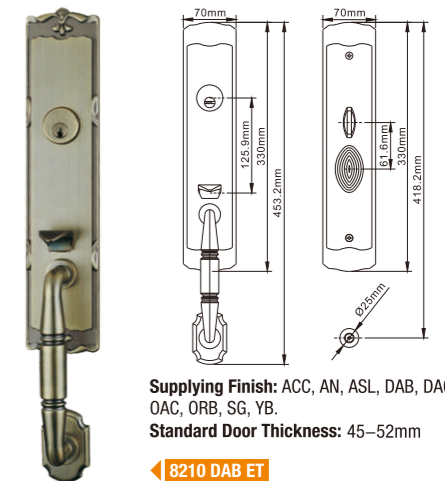
MODEL NO. : **8209** MATERIAL: Solid zinc alloy die-casting



Supplying Finish: ACC, AN, ASL, DAB, DAC, GP, OAC, ORB, SG, YB.  
Standard Door Thickness: 42-49mm

◀ 8209 ACC ET

MODEL NO. : **8210** MATERIAL: Solid zinc alloy die-casting



Supplying Finish: ACC, AN, ASL, DAB, DAC, GP, OAC, ORB, SG, YB.  
Standard Door Thickness: 45-52mm

◀ 8210 DAB ET

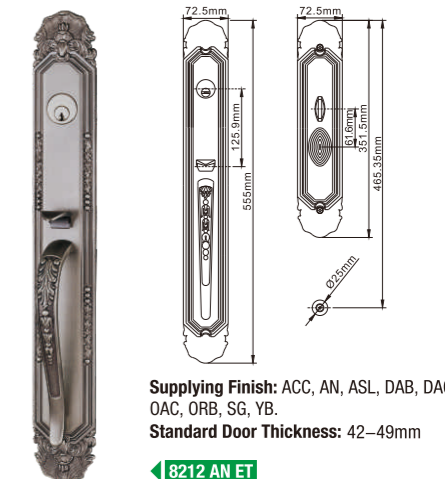
MODEL NO. : **8211** MATERIAL: Solid zinc alloy die-casting



Supplying Finish: AN, DAB, DAC, OAC, ORB, SG, YB.  
Standard Door Thickness: 42-49mm

◀ 8211 DAC ET

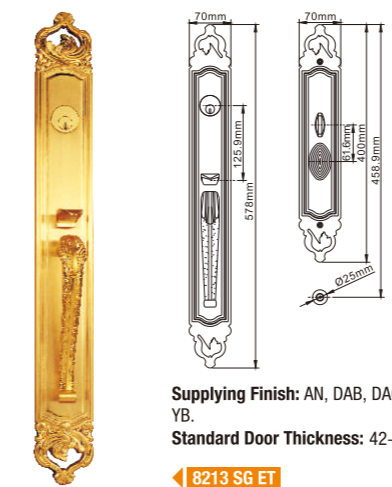
MODEL NO. : **8212** MATERIAL: Solid zinc alloy die-casting



Supplying Finish: ACC, AN, ASL, DAB, DAC, GP, OAC, ORB, SG, YB.  
Standard Door Thickness: 42-49mm

◀ 8212 AN ET

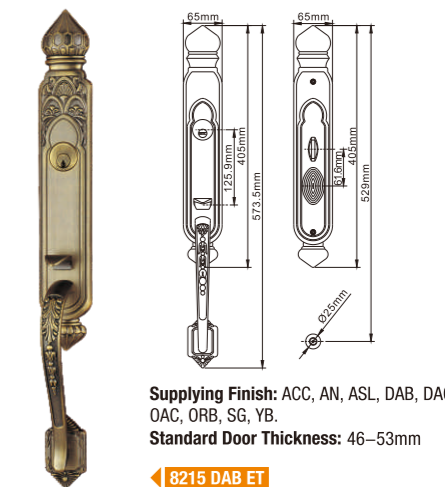
MODEL NO. : **8213** MATERIAL: Solid zinc alloy die-casting



Supplying Finish: AN, DAB, DAC, OAC, ORB, SG, YB.  
Standard Door Thickness: 42-49mm

◀ 8213 SG ET

MODEL NO. : **8215** MATERIAL: Solid zinc alloy die-casting



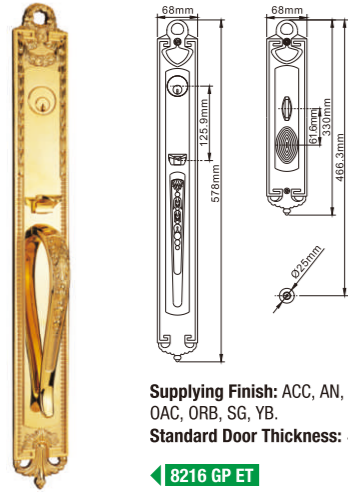
Supplying Finish: ACC, AN, ASL, DAB, DAC, GP, OAC, ORB, SG, YB.  
Standard Door Thickness: 46-53mm

◀ 8215 DAB ET

# 82 SERIES-MORTISE MECHANISM

**800,000**  
CYCLES

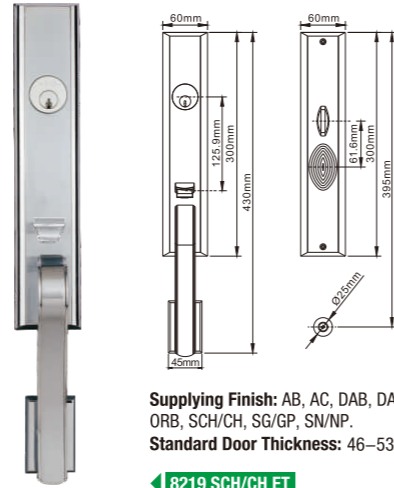
MODEL NO. : **8216** MATERIAL: Solid zinc alloy die-casting



Supplying Finish: ACC, AN, ASL, DAB, DAC, GP, OAC, ORB, SG, YB.  
Standard Door Thickness: 42-49mm

◀ **8216 GP ET**

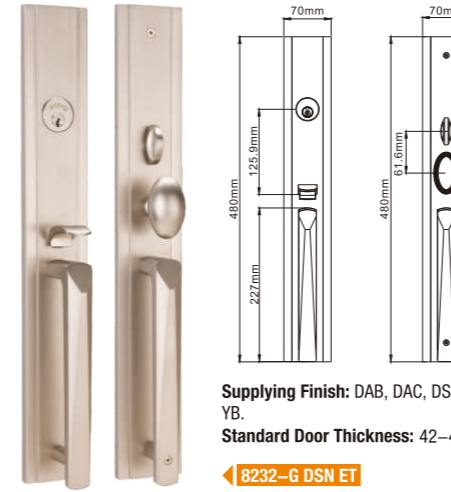
MODEL NO. : **8219** MATERIAL: Solid zinc alloy die-casting



Supplying Finish: AB, AC, DAB, DAC, DSN, OAC, ORB, SCH/CH, SG/GP, SN/NP.  
Standard Door Thickness: 46-53mm

◀ **8219 SCH/CH ET**

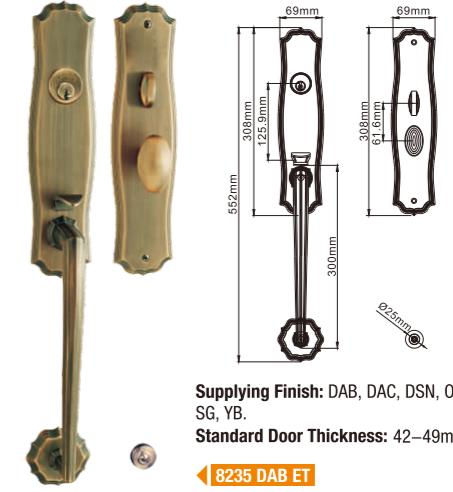
MODEL NO. : **8232** MATERIAL: Solid zinc alloy die-casting



Supplying Finish: DAB, DAC, DSN, OAC, ORB, SG, YB.  
Standard Door Thickness: 42-49mm

◀ **8232-G DSN ET**

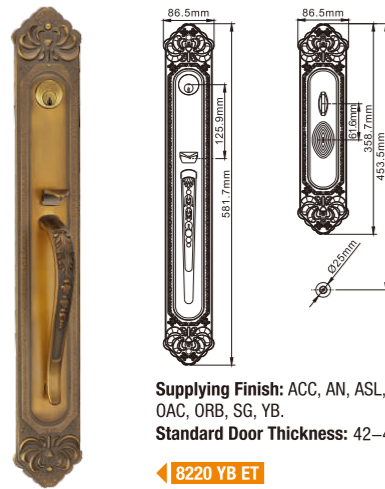
MODEL NO. : **8235** MATERIAL: Solid zinc alloy die-casting



Supplying Finish: DAB, DAC, DSN, OAC, ORB, SG, YB.  
Standard Door Thickness: 42-49mm

◀ **8235 DAB ET**

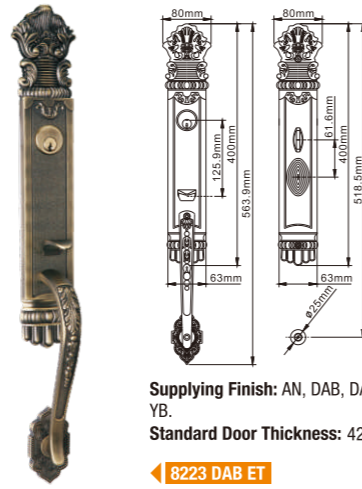
MODEL NO. : **8220** MATERIAL: Solid zinc alloy die-casting



Supplying Finish: ACC, AN, ASL, DAB, DAC, GP, OAC, ORB, SG, YB.  
Standard Door Thickness: 42-49mm

◀ **8220 YB ET**

MODEL NO. : **8223** MATERIAL: Solid zinc alloy die-casting



Supplying Finish: AN, DAB, DAC, OAC, ORB, SG, YB.  
Standard Door Thickness: 42-49mm

◀ **8223 DAB ET**

MODEL NO. : **8268** MATERIAL: Solid zinc alloy die-casting



Supplying Finish: AN, DAB, DAC, DSN, OAC, ORB, ORBH, SG, YB.  
Standard Door Thickness: 42-49mm

◀ **8268 ORBH ET**

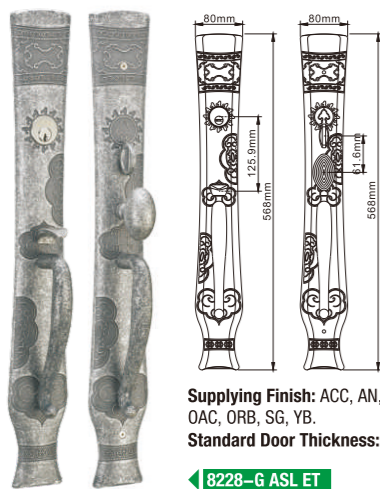
MODEL NO. : **8288** MATERIAL: Solid zinc alloy die-casting



Supplying Finish: AN, DAB, DAC, DSN, OAC, ORB, SG, YB.  
Standard Door Thickness: 43-50mm

◀ **8288-B ORB ET**

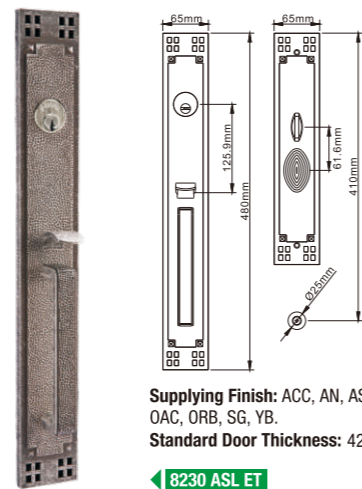
MODEL NO. : **8228** MATERIAL: Solid zinc alloy die-casting



Supplying Finish: ACC, AN, ASL, DAB, DAC, GP, OAC, ORB, SG, YB.  
Standard Door Thickness: 42-49mm

◀ **8228-G ASL ET**

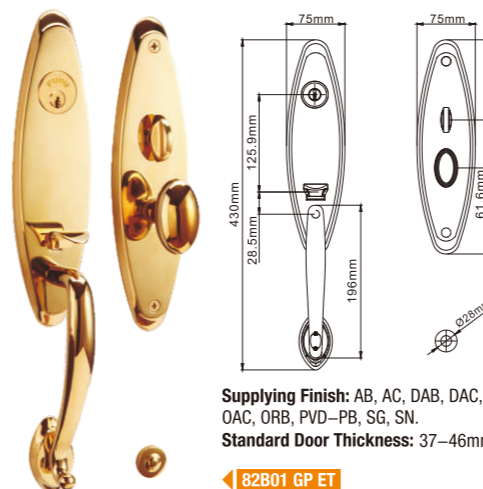
MODEL NO. : **8230** MATERIAL: Solid zinc alloy die-casting



Supplying Finish: ACC, AN, ASL, DAB, DAC, GP, OAC, ORB, SG, YB.  
Standard Door Thickness: 42-49mm

◀ **8230 ASL ET**

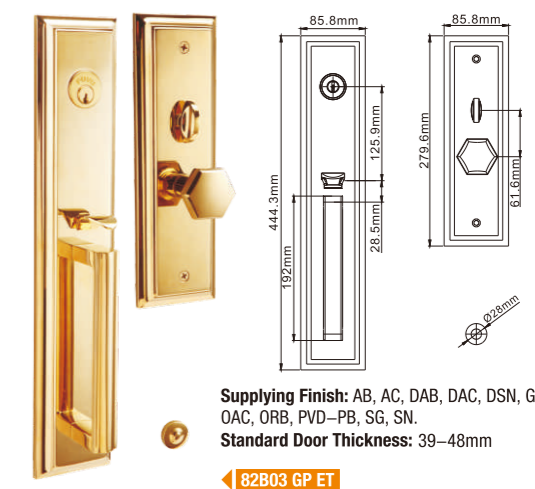
MODEL NO. : **82B01** MATERIAL: Solid forged brass



Supplying Finish: AB, AC, DAB, DAC, DSN, GP, OAC, ORB, PVD-PB, SG, SN.  
Standard Door Thickness: 37-46mm

◀ **82B01 GP ET**

MODEL NO. : **82B03** MATERIAL: Solid forged brass



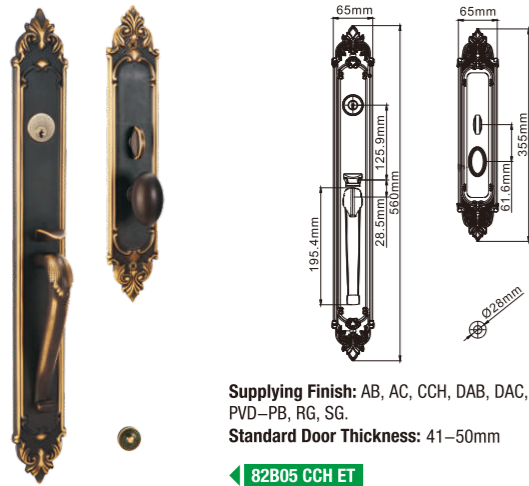
Supplying Finish: AB, AC, DAB, DAC, DSN, GP, OAC, ORB, PVD-PB, SG, SN.  
Standard Door Thickness: 39-48mm

◀ **82B03 GP ET**

# 82 SERIES-MORTISE MECHANISM

**800,000**  
CYCLES

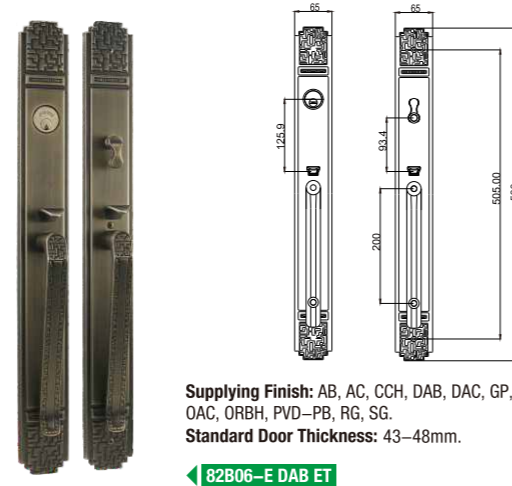
MODEL NO. : **82B05** MATERIAL: Solid forged brass



Supplying Finish: AB, AC, CCH, DAB, DAC, ORBH, PVD-PB, RG, SG.  
Standard Door Thickness: 41-50mm

◀ 82B05 CCH ET

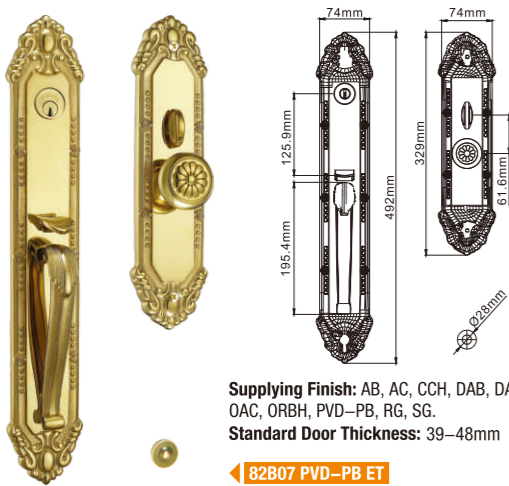
MODEL NO. : **82B06** MATERIAL: Solid forged brass



Supplying Finish: AB, AC, CCH, DAB, DAC, GP, OAC, ORBH, PVD-PB, RG, SG.  
Standard Door Thickness: 43-48mm.

◀ 82B06-E DAB ET

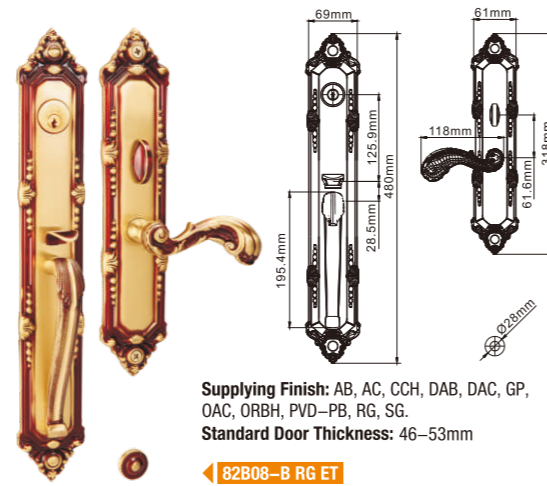
MODEL NO. : **82B07** MATERIAL: Solid forged brass



Supplying Finish: AB, AC, CCH, DAB, DAC, GP, OAC, ORBH, PVD-PB, RG, SG.  
Standard Door Thickness: 39-48mm

◀ 82B07 PVD-PB ET

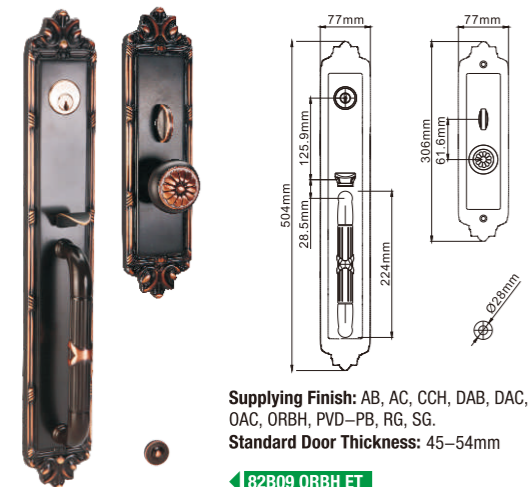
MODEL NO. : **82B08** MATERIAL: Solid forged brass



Supplying Finish: AB, AC, CCH, DAB, DAC, GP, OAC, ORBH, PVD-PB, RG, SG.  
Standard Door Thickness: 46-53mm

◀ 82B08-B RG ET

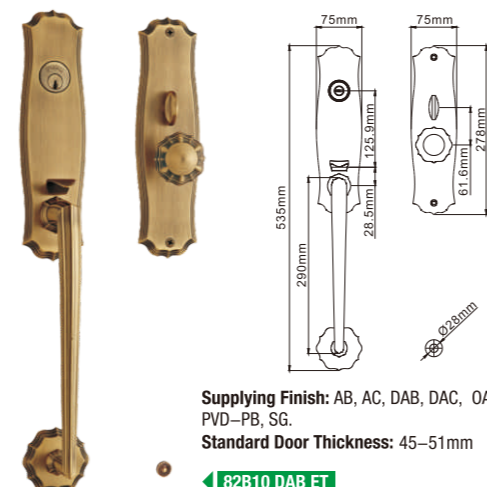
MODEL NO. : **82B09** MATERIAL: Solid forged brass



Supplying Finish: AB, AC, CCH, DAB, DAC, GP, OAC, ORBH, PVD-PB, RG, SG.  
Standard Door Thickness: 45-54mm

◀ 82B09 ORBH ET

MODEL NO. : **82B10** MATERIAL: Solid forged brass



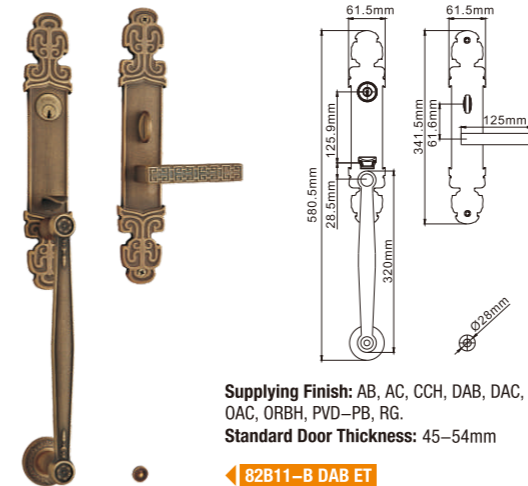
Supplying Finish: AB, AC, DAB, DAC, OAC, ORB, PVD-PB, SG.  
Standard Door Thickness: 45-51mm

◀ 82B10 DAB ET

# 82 SERIES-MORTISE MECHANISM

**800,000**  
CYCLES

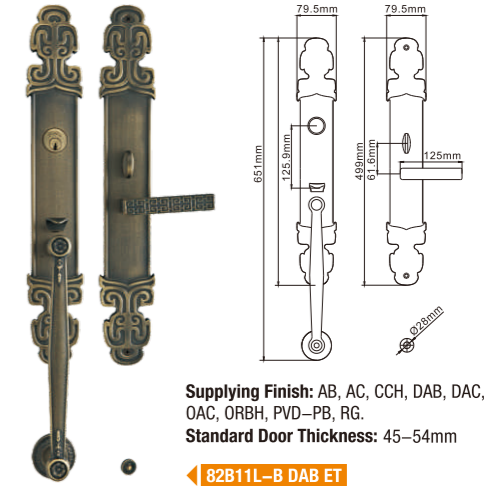
MODEL NO. : **82B11** MATERIAL: Solid forged brass



Supplying Finish: AB, AC, CCH, DAB, DAC, DSN, OAC, ORBH, PVD-PB, RG.  
Standard Door Thickness: 45-54mm

◀ 82B11-B DAB ET

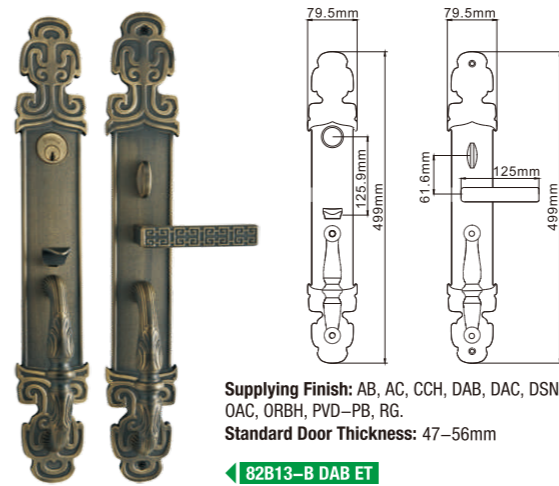
MODEL NO. : **82B11L** MATERIAL: Solid forged brass



Supplying Finish: AB, AC, CCH, DAB, DAC, DSN, OAC, ORBH, PVD-PB, RG.  
Standard Door Thickness: 45-54mm

◀ 82B11L-B DAB ET

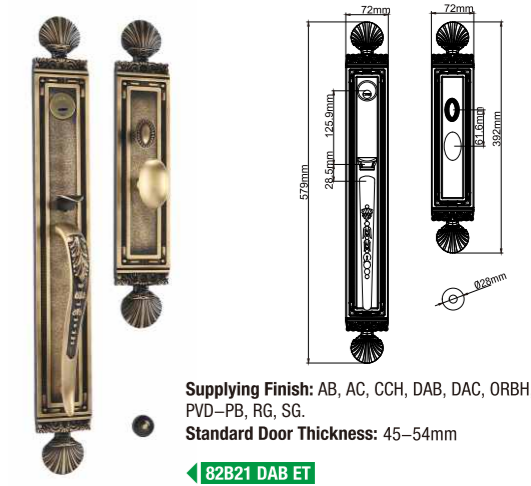
MODEL NO. : **82B13** MATERIAL: Solid forged brass



Supplying Finish: AB, AC, CCH, DAB, DAC, DSN, OAC, ORBH, PVD-PB, RG.  
Standard Door Thickness: 47-56mm

◀ 82B13-B DAB ET

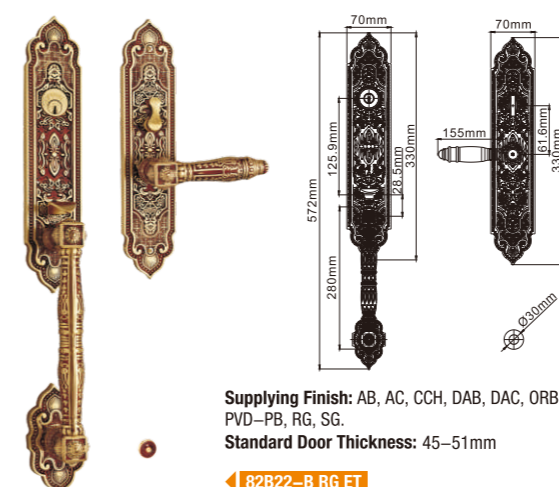
MODEL NO. : **82B21** MATERIAL: Solid forged brass



Supplying Finish: AB, AC, CCH, DAB, DAC, ORBH, PVD-PB, RG, SG.  
Standard Door Thickness: 45-54mm

◀ 82B21 DAB ET

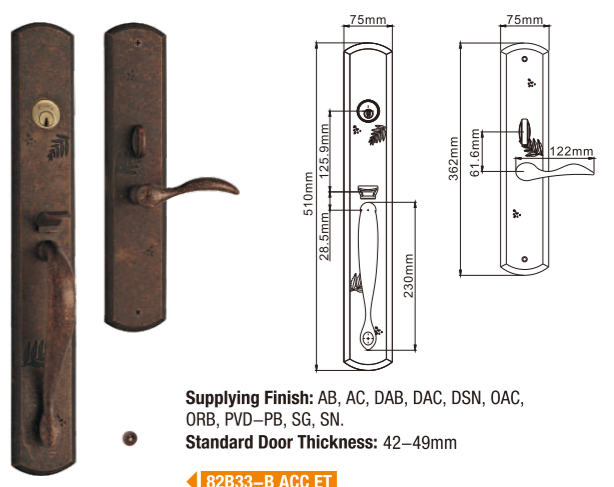
MODEL NO. : **82B22** MATERIAL: Solid forged brass



Supplying Finish: AB, AC, CCH, DAB, DAC, ORBH, PVD-PB, RG, SG.  
Standard Door Thickness: 45-51mm

◀ 82B22-B RG ET

MODEL NO. : **82B33** MATERIAL: Solid forged brass



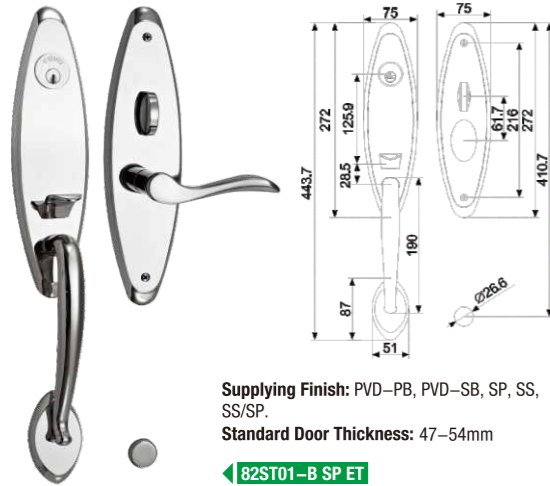
Supplying Finish: AB, AC, DAB, DAC, DSN, OAC, ORB, PVD-PB, SG, SN.  
Standard Door Thickness: 42-49mm

◀ 82B33-B ACC ET

# 82 SERIES-MORTISE MECHANISM

**800,000**  
CYCLES

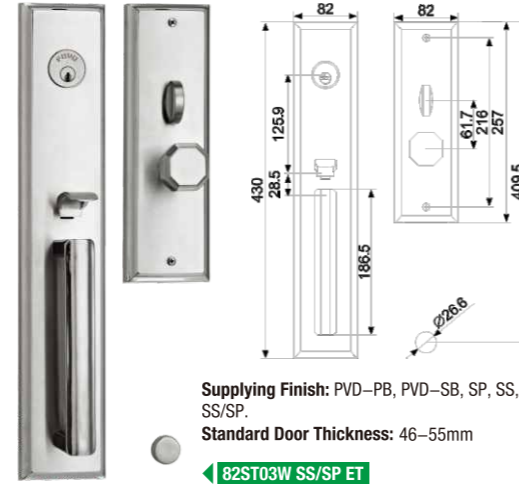
MODEL NO. : **82ST01** MATERIAL: Stamping stainless steel 304



Supplying Finish: PVD-PB, PVD-SB, SP, SS, SS/SP.  
Standard Door Thickness: 47-54mm

◀ **82ST01-B SP ET**

MODEL NO. : **82ST03W** MATERIAL: Stamping stainless steel 304



Supplying Finish: PVD-PB, PVD-SB, SP, SS, SS/SP.  
Standard Door Thickness: 46-55mm

◀ **82ST03W SS/SP ET**

MODEL NO. : **82ST05** MATERIAL: Stamping stainless steel 304



Supplying Finish: PVD-PB, PVD-SB, SP, SS, SS/SP.  
Standard Door Thickness: 46-53mm

◀ **82ST05 SP ET**

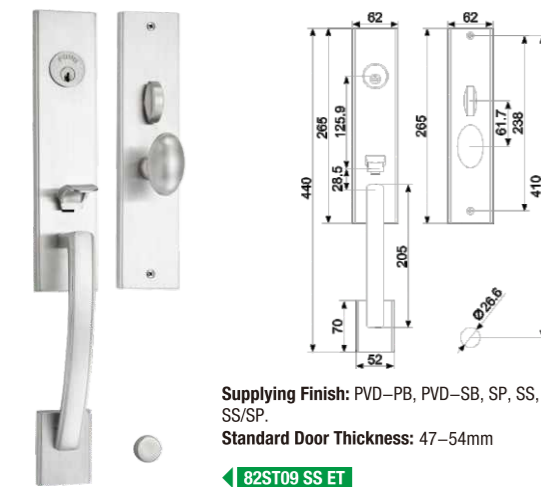
MODEL NO. : **82ST08** MATERIAL: Stamping stainless steel 304



Supplying Finish: PVD-PB, PVD-SB, SP, SS, SS/SP.  
Standard Door Thickness: 47-54mm

◀ **82ST08-B SP ET**

MODEL NO. : **82ST09** MATERIAL: Stamping stainless steel 304



Supplying Finish: PVD-PB, PVD-SB, SP, SS, SS/SP.  
Standard Door Thickness: 47-54mm

◀ **82ST09 SS ET**

MODEL NO. : **82ST19** MATERIAL: Stamping stainless steel 304



Supplying Finish: PVD-PB, PVD-SB, SP, SS, SS/SP.  
Standard Door Thickness: 46-53mm

◀ **82ST19-F SS/SP ET**

## FULL INTRODUCTION OF SERIES 81

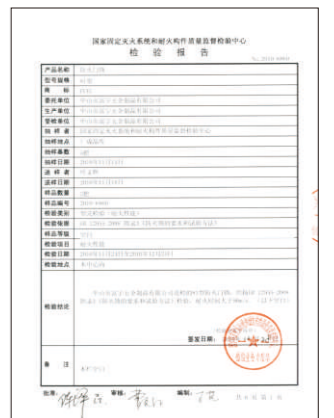
### MAIN SPECIFICATIONS

- Apply to all kinds of wooden doors and metal doors.
- Mortise type.
- 10 years mechanism warranty under correct installation and normal usage.
- Fire-proof qualified.
- Patented products.
- Construction key function.
- Anti-cut bolt.
- Anti-panic.
- Easily reversible for left and right handing.

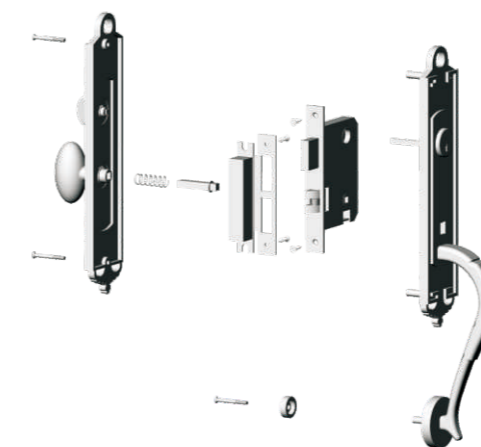
### Patent Certificate



### Fire-Proof Certificate



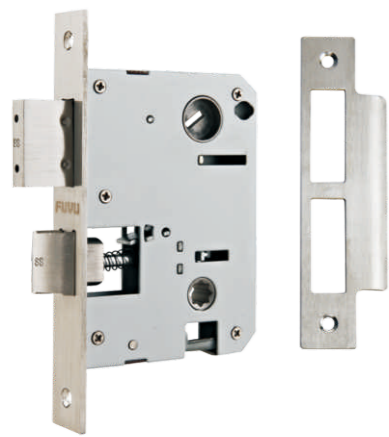
### ASSEMBLY ILLUSTRATION



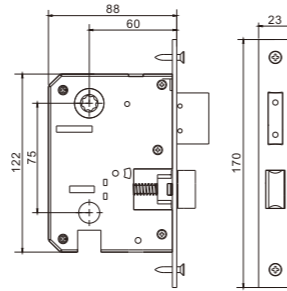
### BOX DESIGN



## THE 5<sup>TH</sup> GENERATION MORTISE LOCK CASE



- **Rotor:** Solid investment-casting stainless steel 304, anti-rust, stronger and more durable than brass and zinc alloy.
- **Cam:** Solid investment-casting stainless steel 304, anti-rust, stronger and more durable than brass and zinc alloy.
- **Casing:** High class imported EGI(electric galvanized) steel, higher grade fingerprint resistant, thickness 1.5mm.
- **Latch:** Solid investment-casting stainless steel 304, anti-rust, stronger and more durable than brass and zinc alloy, easily reversible for left and right handing.
- **Deadbolt:** Solid stainless steel 304, reinforced with two hardened steel inserts, anti-saw, anti-rust, stronger and more durable than brass and zinc alloy, offering maximum protection and security.
- **Forend (thickness 3.0mm)/Strike plate (thickness 1.5mm):** Solid stainless steel 304 or brass.



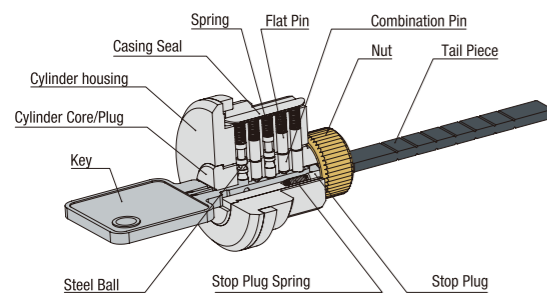
Backset Standard:60mm(2 $\frac{3}{8}$ "\*) Customized:70mm(2 $\frac{3}{4}$ "\*)

## THE 3<sup>RD</sup> GENERATION HIGH-TECH CYLINDER



- High-tech solid brass cylinder(Brass for housing, core/plug, pins and nut).
- Machined by precise CNC (Computer Numeric Control) equipments according to the most strict QA standard.
- Keyway: Double-Row-Pin technology, **10** pins, pin-combinations are much more than international standard, extremely security.
- Construction key function available: Each cylinder with **5 pcs OWNER** keys + **1 pc CONSTRUCTION** key, all keys are made by solid brass, thickness 2.5mm.
- Hardened process for tail-piece, stronger and more durable.

### The Structure Of 81 Series Cylinder



### Supplying Keyway

#### Standard

Double-row-pin

#### Customized Keyway



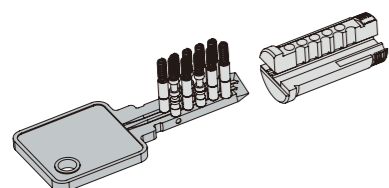
For customized keyway, MOQ is necessary, please contact us for win-win solution.

### Plastic Box For Owner Keys

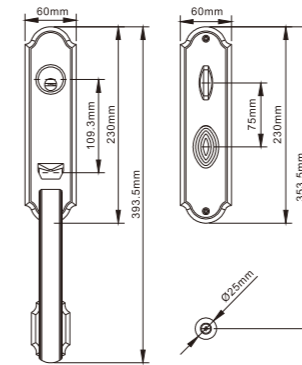


The owner keys are sealed inside the plastic box, you could not get the owner keys unless make the box broken, offering maximum security.

### Double-row-pin With Construction Key Function



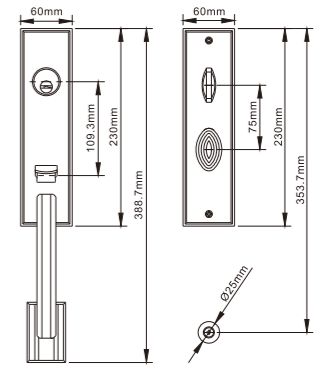
### MODEL NO. : 8101 MATERIAL: Solid zinc alloy die-casting



Supplying Finish: AB, AC, DAB, DAC, DSN, GP, OAC, SCH/CH, SG/GP, SN/GP, SN/NP.  
Standard Door Thickness: 40-60mm.

8101 SG/GP ET

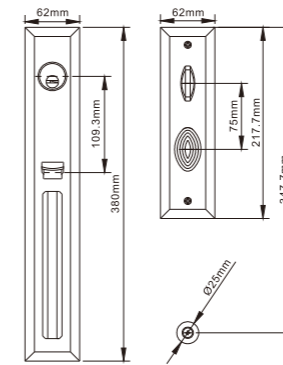
### MODEL NO. : 8102 MATERIAL: Solid zinc alloy die-casting



Supplying Finish: AB, AC, DAB, DAC, DSN, GP, SCH/CH, SG/GP, SN/GP, SN/NP.  
Standard Door Thickness: 38-60mm

8102 AB ET

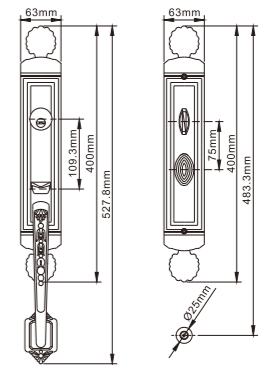
### MODEL NO. : 8103 MATERIAL: Solid zinc alloy die-casting



Supplying Finish: AB, AC, ACC, DAB, DAC, DSN, GP, SCH/CH, SG/GP, SN/GP, SN/NP.  
Standard Door Thickness: 35-50mm

8103 SN/NP ET

### MODEL NO. : 8105 MATERIAL: Solid zinc alloy die-casting

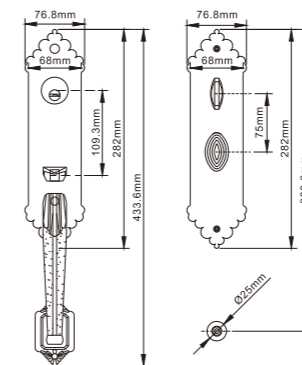


Supplying Finish: AB, AC, AN, DAB, DAC, ORB, SG, YB.

Standard Door Thickness: 38-55mm

8105 DAC ET

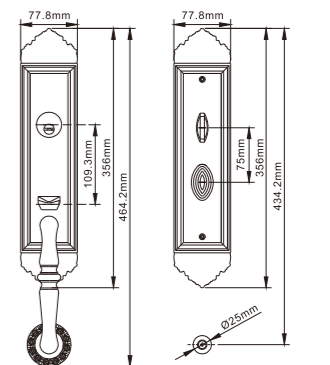
### MODEL NO. : 8106 MATERIAL: Solid zinc alloy die-casting



Supplying Finish: AB, AC, ACC, AN, ASL, DAB, DAC, DSN, GP, ORB, SG, YB.  
Standard Door Thickness: 38-60mm

8106 DAB ET

### MODEL NO. : 8108 MATERIAL: Solid zinc alloy die-casting



Supplying Finish: AB, AC, ACC, AN, ASL, DAB, DAC, DSN, GP, ORB, SG, YB.

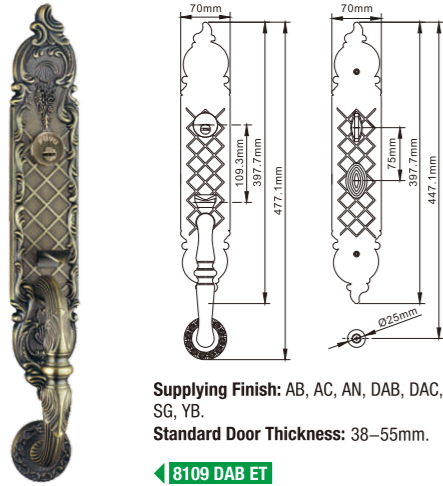
Standard Door Thickness: 38-55mm

8108 SG ET

# 81 SERIES-MORTISE MECHANISM



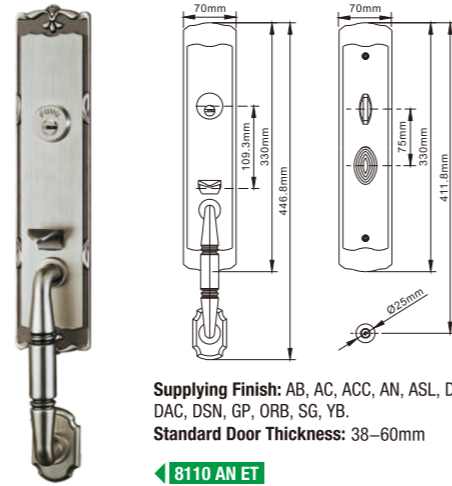
MODEL NO. : **8109** MATERIAL: Solid zinc alloy die-casting



Supplying Finish: AB, AC, AN, DAB, DAC, ORB, SG, YB.  
Standard Door Thickness: 38-55mm.

◀ 8109 DAB ET

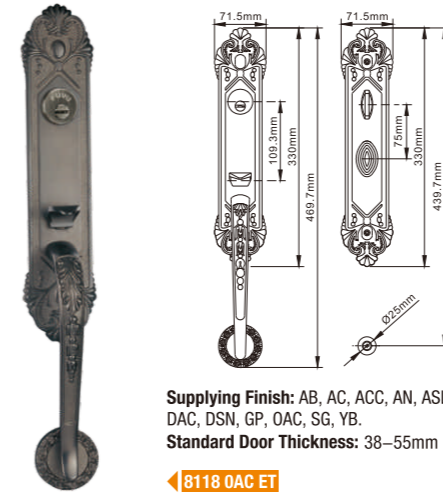
MODEL NO. : **8110** MATERIAL: Solid zinc alloy die-casting



Supplying Finish: AB, AC, ACC, AN, ASL, DAB, DAC, DSN, GP, ORB, SG, YB.  
Standard Door Thickness: 38-60mm

◀ 8110 AN ET

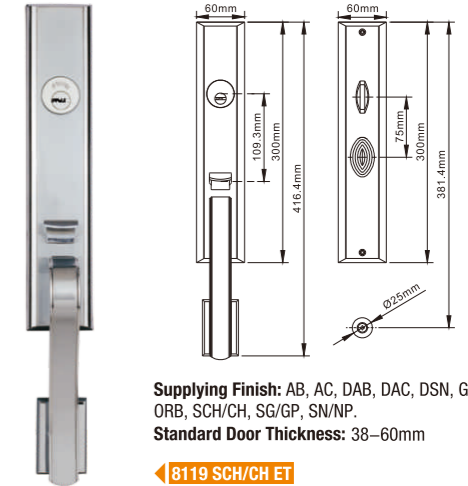
MODEL NO. : **8118** MATERIAL: Solid zinc alloy die-casting



Supplying Finish: AB, AC, ACC, AN, ASL, DAB, DAC, DSN, GP, OAC, SG, YB.  
Standard Door Thickness: 38-55mm

◀ 8118 OAC ET

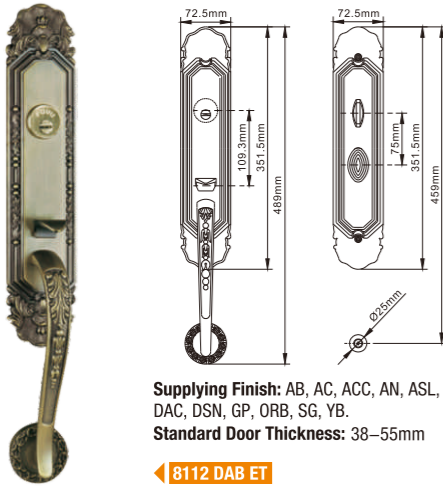
MODEL NO. : **8119** MATERIAL: Solid zinc alloy die-casting



Supplying Finish: AB, AC, DAB, DAC, DSN, GP, ORB, SCH/CH, SG/GP, SN/NP.  
Standard Door Thickness: 38-60mm

◀ 8119 SCH/CH ET

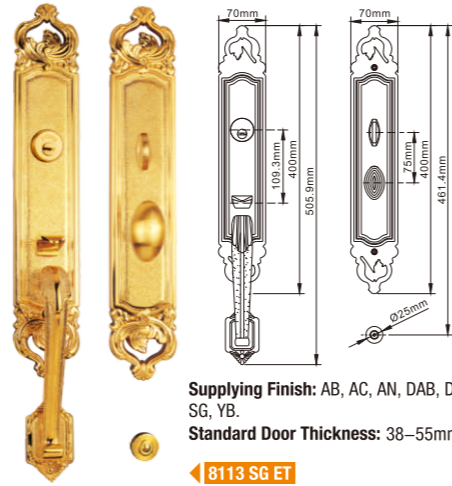
MODEL NO. : **8112** MATERIAL: Solid zinc alloy die-casting



Supplying Finish: AB, AC, ACC, AN, ASL, DAB, DAC, DSN, GP, ORB, SG, YB.  
Standard Door Thickness: 38-55mm

◀ 8112 DAB ET

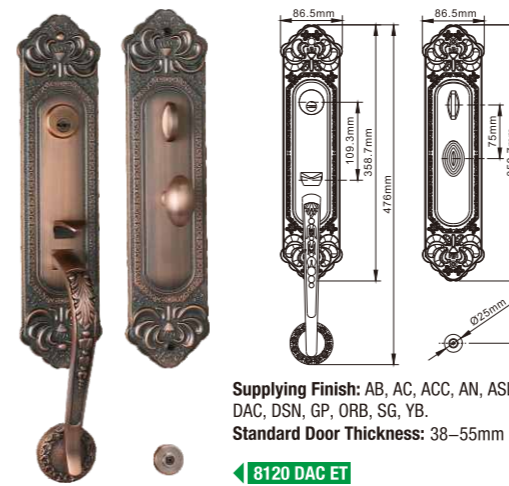
MODEL NO. : **8113** MATERIAL: Solid zinc alloy die-casting



Supplying Finish: AB, AC, AN, DAB, DAC, ORB, SG, YB.  
Standard Door Thickness: 38-55mm

◀ 8113 SG ET

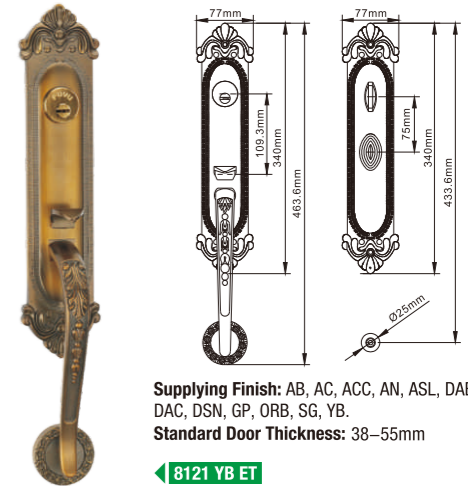
MODEL NO. : **8120** MATERIAL: Solid zinc alloy die-casting



Supplying Finish: AB, AC, ACC, AN, ASL, DAB, DAC, DSN, GP, ORB, SG, YB.  
Standard Door Thickness: 38-55mm

◀ 8120 DAC ET

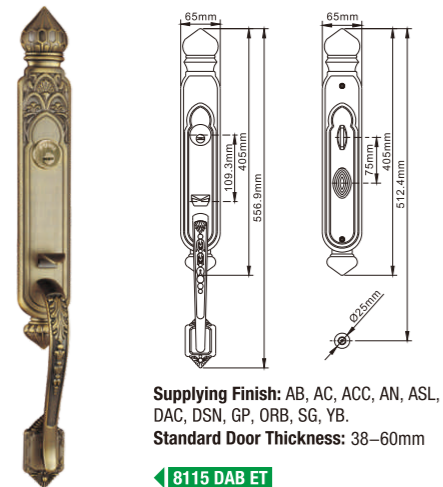
MODEL NO. : **8121** MATERIAL: Solid zinc alloy die-casting



Supplying Finish: AB, AC, ACC, AN, ASL, DAB, DAC, DSN, GP, ORB, SG, YB.  
Standard Door Thickness: 38-55mm

◀ 8121 YB ET

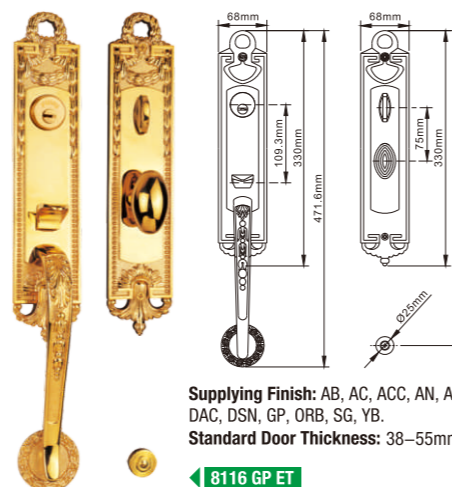
MODEL NO. : **8115** MATERIAL: Solid zinc alloy die-casting



Supplying Finish: AB, AC, ACC, AN, ASL, DAB, DAC, DSN, GP, ORB, SG, YB.  
Standard Door Thickness: 38-60mm

◀ 8115 DAB ET

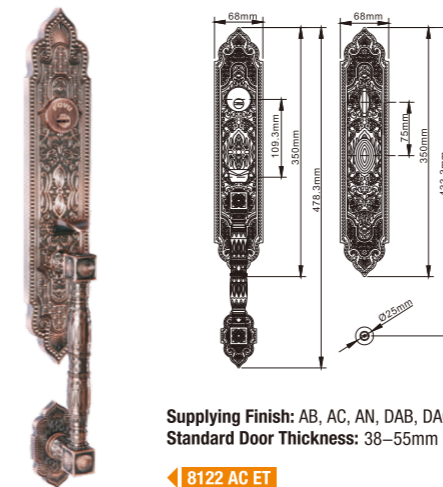
MODEL NO. : **8116** MATERIAL: Solid zinc alloy die-casting



Supplying Finish: AB, AC, ACC, AN, ASL, DAB, DAC, DSN, GP, ORB, SG, YB.  
Standard Door Thickness: 38-55mm

◀ 8116 GP ET

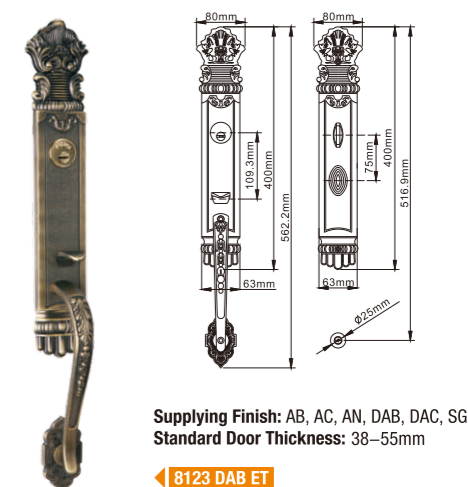
MODEL NO. : **8122** MATERIAL: Solid zinc alloy die-casting



Supplying Finish: AB, AC, AN, DAB, DAC, SG, YB.  
Standard Door Thickness: 38-55mm

◀ 8122 AC ET

MODEL NO. : **8123** MATERIAL: Solid zinc alloy die-casting



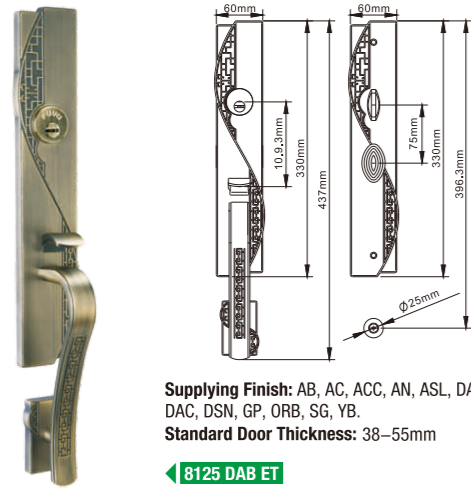
Supplying Finish: AB, AC, AN, DAB, DAC, SG, YB.  
Standard Door Thickness: 38-55mm

◀ 8123 DAB ET

# 81 SERIES-MORTISE MECHANISM



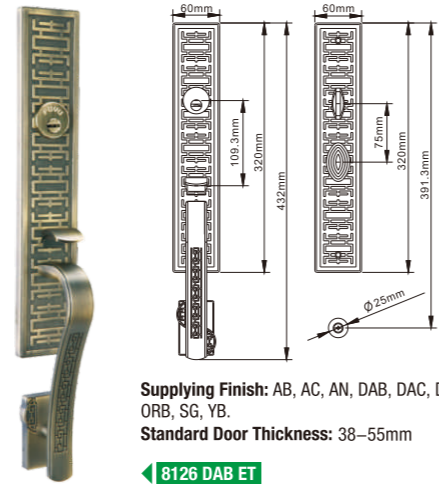
MODEL NO. : **8125** MATERIAL: Solid zinc alloy die-casting



Supplying Finish: AB, AC, ACC, AN, ASL, DAB, DAC, DSN, GP, ORB, SG, YB.  
Standard Door Thickness: 38-55mm

◀ 8125 DAB ET

MODEL NO. : **8126** MATERIAL: Solid zinc alloy die-casting



Supplying Finish: AB, AC, AN, DAB, DAC, DSN, ORB, SG, YB.  
Standard Door Thickness: 38-55mm

◀ 8126 DAB ET

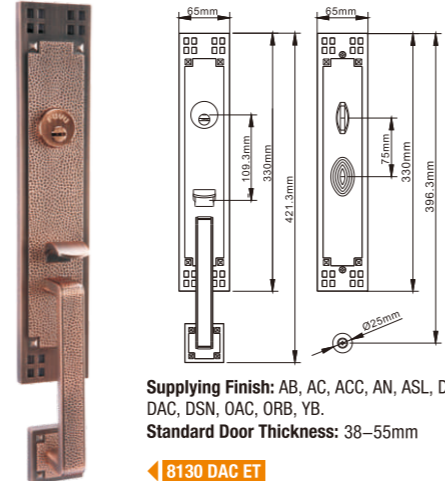
MODEL NO. : **8129** MATERIAL: Solid zinc alloy die-casting



Supplying Finish: AB, AC, DAB, DAC, DSN, GP, OAC, ORB, SCH/CH, SG/GP, SN/NP.  
Standard Door Thickness: 38-60mm

◀ 8129 GP ET

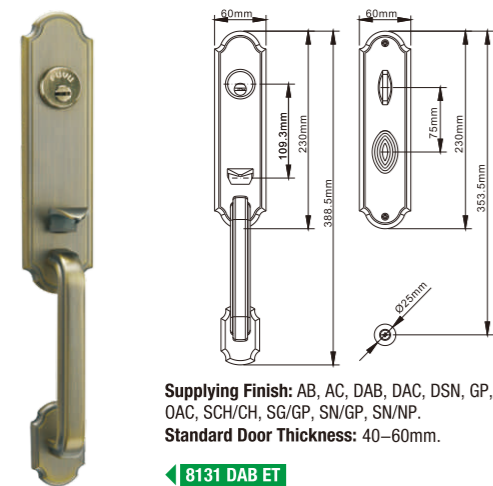
MODEL NO. : **8130** MATERIAL: Solid zinc alloy die-casting



Supplying Finish: AB, AC, ACC, AN, ASL, DAB, DAC, DSN, OAC, ORB, YB.  
Standard Door Thickness: 38-55mm

◀ 8130 DAC ET

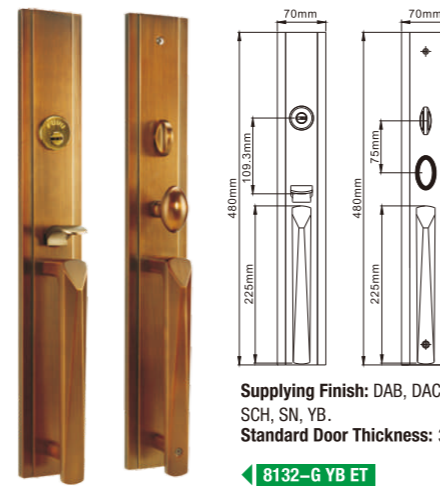
MODEL NO. : **8131** MATERIAL: Solid zinc alloy die-casting



Supplying Finish: AB, AC, DAB, DAC, DSN, GP, OAC, SCH/CH, SG/GP, SN/NP.  
Standard Door Thickness: 40-60mm.

◀ 8131 DAB ET

MODEL NO. : **8132** MATERIAL: Solid zinc alloy die-casting



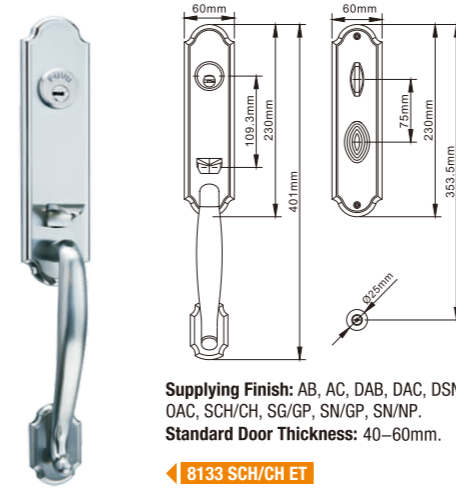
Supplying Finish: DAB, DAC, DSN, ORB, SCH, SN, YB.  
Standard Door Thickness: 38-55mm

◀ 8132-G YB ET

# 81 SERIES-MORTISE MECHANISM



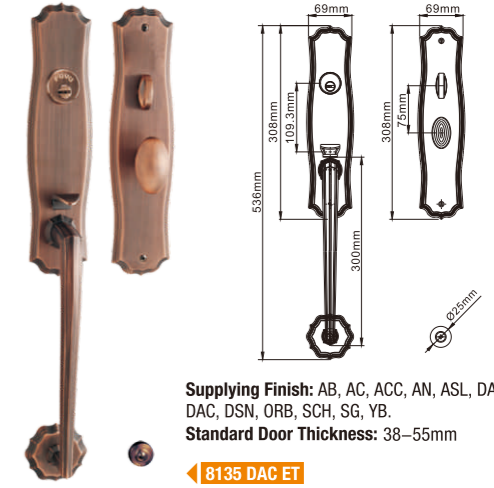
MODEL NO. : **8133** MATERIAL: Solid zinc alloy die-casting



Supplying Finish: AB, AC, DAB, DAC, DSN, GP, OAC, SCH/CH, SG/GP, SN/NP.  
Standard Door Thickness: 40-60mm.

◀ 8133 SCH/CH ET

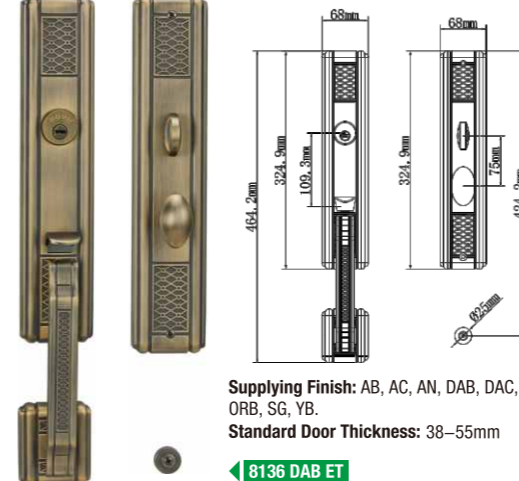
MODEL NO. : **8135** MATERIAL: Solid zinc alloy die-casting



Supplying Finish: AB, AC, ACC, AN, ASL, DAB, DAC, DSN, ORB, SCH, SG, YB.  
Standard Door Thickness: 38-55mm

◀ 8135 DAC ET

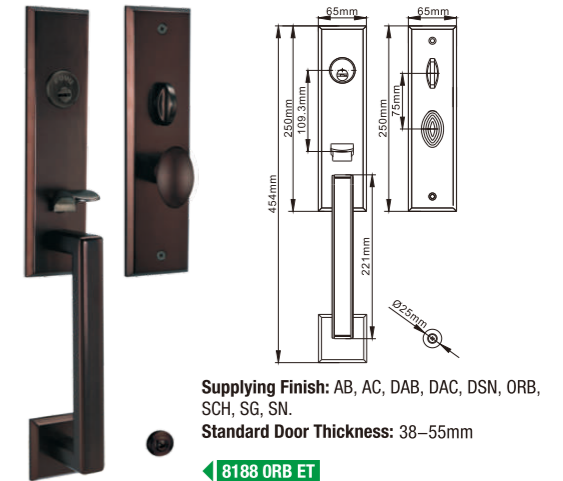
MODEL NO. : **8136** MATERIAL: Solid zinc alloy die-casting



Supplying Finish: AB, AC, AN, DAB, DAC, OAC, ORB, SG, YB.  
Standard Door Thickness: 38-55mm

◀ 8136 DAB ET

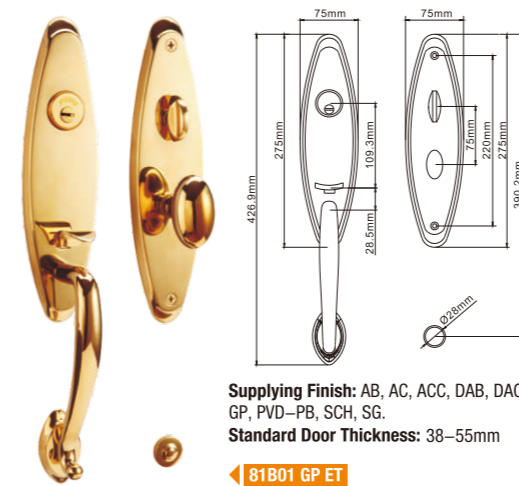
MODEL NO. : **8188** MATERIAL: Solid zinc alloy die-casting



Supplying Finish: AB, AC, DAB, DAC, DSN, ORB, SCH, SG, SN.  
Standard Door Thickness: 38-55mm

◀ 8188 ORB ET

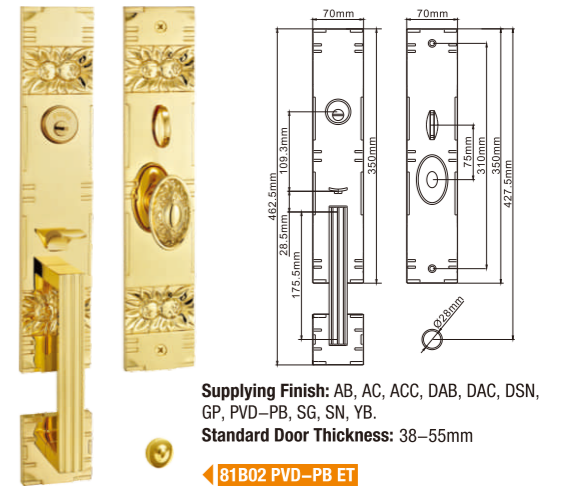
MODEL NO. : **81B01** MATERIAL: Solid forged brass



Supplying Finish: AB, AC, ACC, DAB, DAC, DSN, GP, PVD-PB, SCH, SG.  
Standard Door Thickness: 38-55mm

◀ 81B01 GP ET

MODEL NO. : **81B02** MATERIAL: Solid forged brass



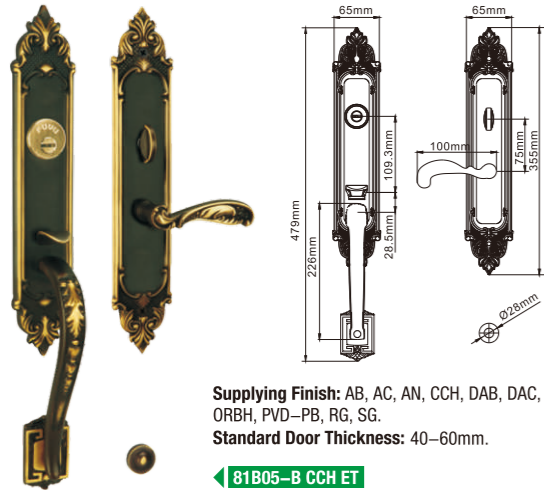
Supplying Finish: AB, AC, ACC, DAB, DAC, DSN, GP, PVD-PB, SG, SN, YB.  
Standard Door Thickness: 38-55mm

◀ 81B02 PVD-PB ET

# 81 SERIES-MORTISE MECHANISM



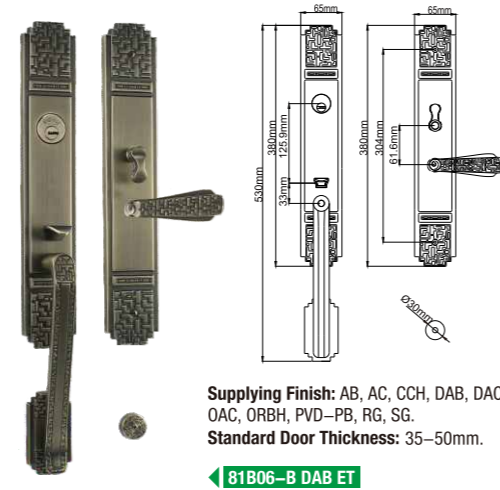
MODEL NO. : **81B05** MATERIAL: Solid forged brass



Supplying Finish: AB, AC, AN, CCH, DAB, DAC, ORBH, PVD-PB, RG, SG.  
Standard Door Thickness: 40-60mm.

◀ 81B05-B CCH ET

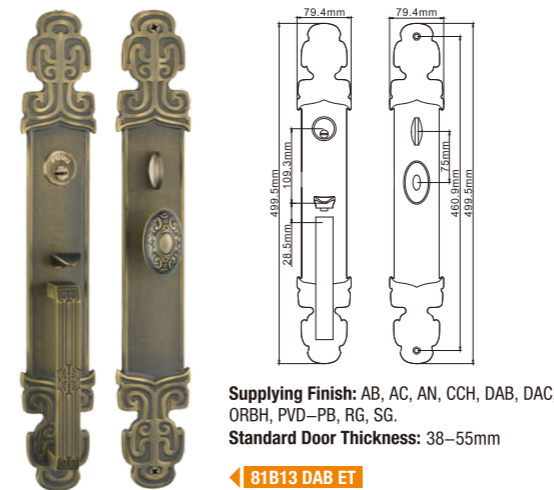
MODEL NO. : **81B06** MATERIAL: Solid forged brass



Supplying Finish: AB, AC, CCH, DAB, DAC, GP, OAC, ORBH, PVD-PB, RG, SG.  
Standard Door Thickness: 35-50mm.

◀ 81B06-B DAB ET

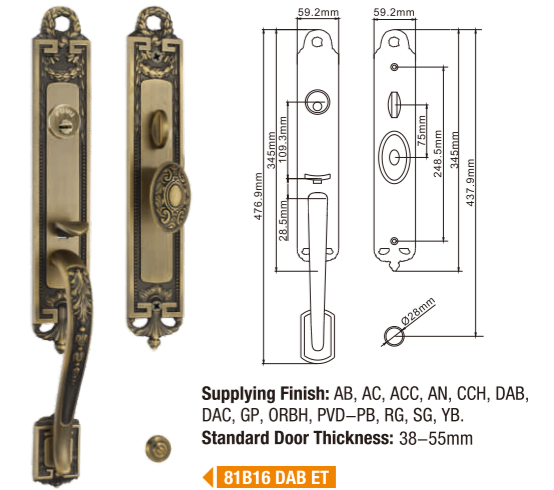
MODEL NO. : **81B13** MATERIAL: Solid forged brass



Supplying Finish: AB, AC, AN, CCH, DAB, DAC, ORBH, PVD-PB, RG, SG.  
Standard Door Thickness: 38-55mm

◀ 81B13 DAB ET

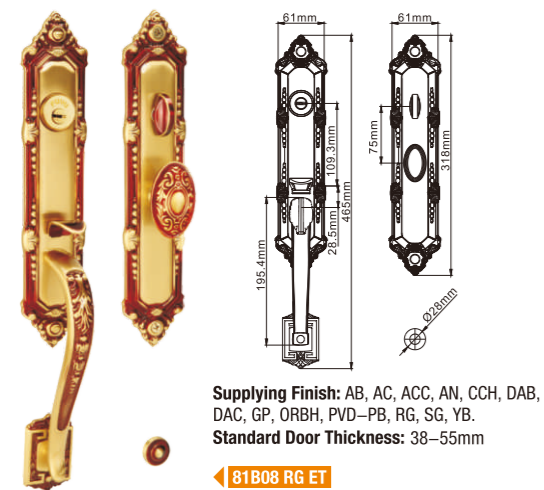
MODEL NO. : **81B16** MATERIAL: Solid forged brass



Supplying Finish: AB, AC, ACC, AN, CCH, DAB, DAC, GP, ORBH, PVD-PB, RG, SG, YB.  
Standard Door Thickness: 38-55mm

◀ 81B16 DAB ET

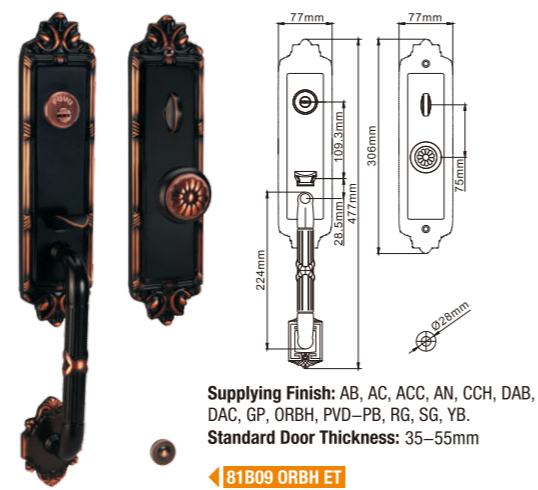
MODEL NO. : **81B08** MATERIAL: Solid forged brass



Supplying Finish: AB, AC, ACC, AN, CCH, DAB, DAC, GP, ORBH, PVD-PB, RG, SG, YB.  
Standard Door Thickness: 38-55mm

◀ 81B08 RG ET

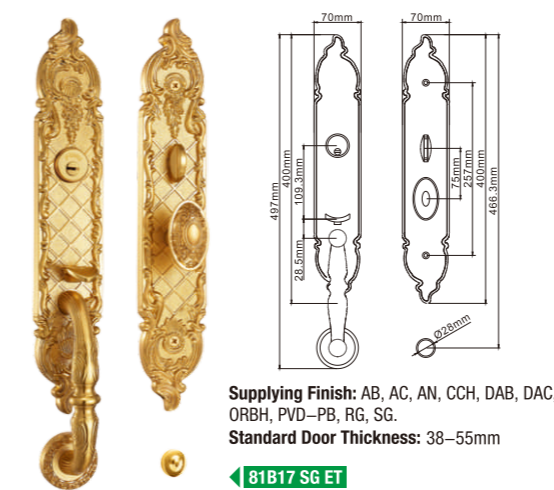
MODEL NO. : **81B09** MATERIAL: Solid forged brass



Supplying Finish: AB, AC, ACC, AN, CCH, DAB, DAC, GP, ORBH, PVD-PB, RG, SG, YB.  
Standard Door Thickness: 35-55mm

◀ 81B09 ORBH ET

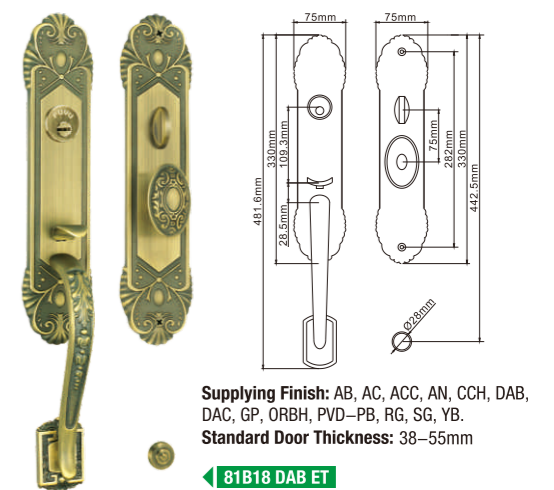
MODEL NO. : **81B17** MATERIAL: Solid forged brass



Supplying Finish: AB, AC, AN, CCH, DAB, DAC, ORBH, PVD-PB, RG, SG.  
Standard Door Thickness: 38-55mm

◀ 81B17 SG ET

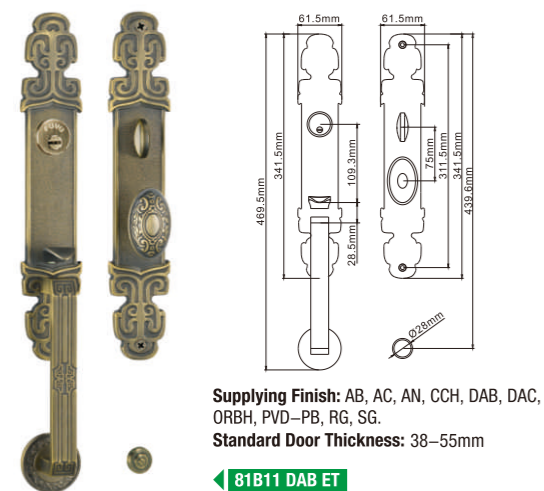
MODEL NO. : **81B18** MATERIAL: Solid forged brass



Supplying Finish: AB, AC, ACC, AN, CCH, DAB, DAC, GP, ORBH, PVD-PB, RG, SG, YB.  
Standard Door Thickness: 38-55mm

◀ 81B18 DAB ET

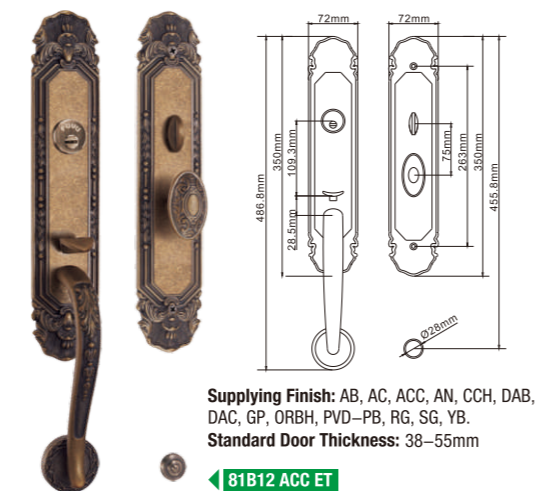
MODEL NO. : **81B11** MATERIAL: Solid forged brass



Supplying Finish: AB, AC, AN, CCH, DAB, DAC, ORBH, PVD-PB, RG, SG.  
Standard Door Thickness: 38-55mm

◀ 81B11 DAB ET

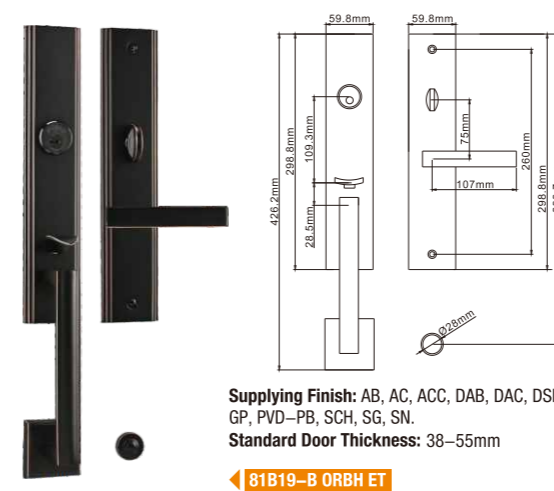
MODEL NO. : **81B12** MATERIAL: Solid forged brass



Supplying Finish: AB, AC, ACC, AN, CCH, DAB, DAC, GP, ORBH, PVD-PB, RG, SG, YB.  
Standard Door Thickness: 38-55mm

◀ 81B12 ACC ET

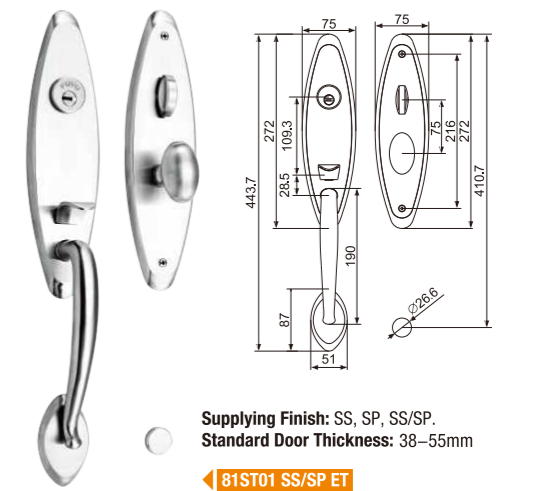
MODEL NO. : **81B19** MATERIAL: Solid forged brass



Supplying Finish: AB, AC, ACC, DAB, DAC, DSN, GP, PVD-PB, SCH, SG, SN.  
Standard Door Thickness: 38-55mm

◀ 81B19-B ORBH ET

MODEL NO. : **81ST01** MATERIAL: Stamping stainless steel 304



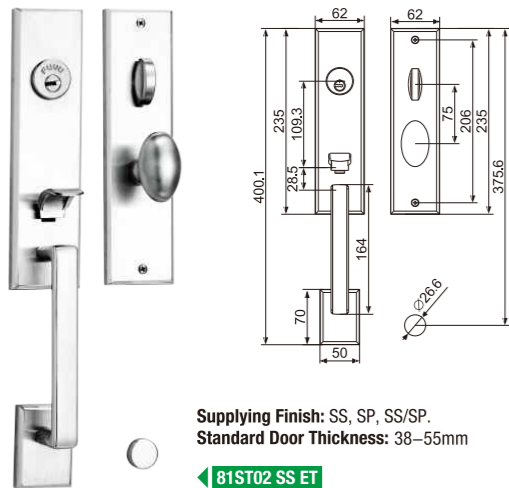
Supplying Finish: SS, SP, SS/SP.  
Standard Door Thickness: 38-55mm

◀ 81ST01 SS/SP ET





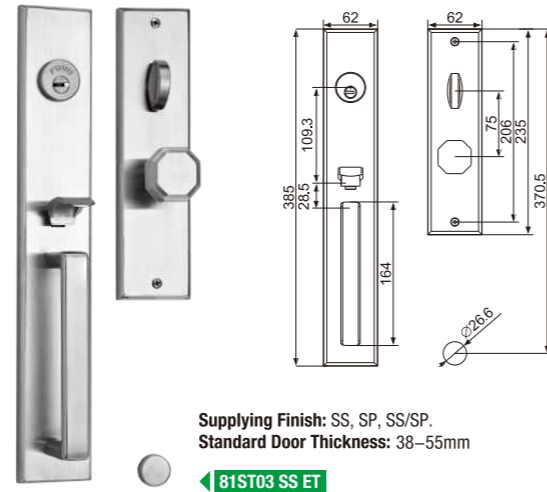
MODEL NO. : **81ST02** MATERIAL: Stamping stainless steel 304



Supplying Finish: SS, SP, SS/SP.  
Standard Door Thickness: 38-55mm

◀ **81ST02 SS ET**

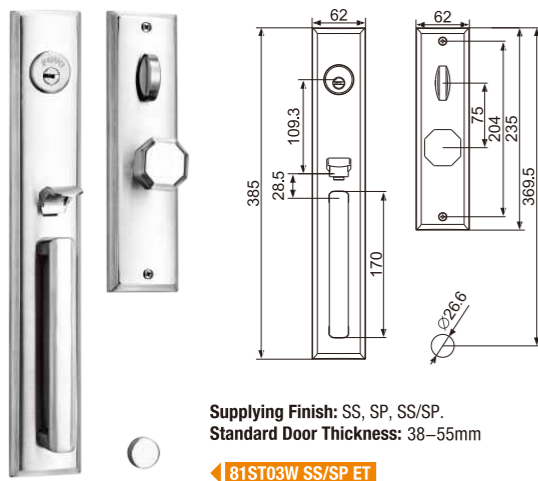
MODEL NO. : **81ST03** MATERIAL: Stamping stainless steel 304



Supplying Finish: SS, SP, SS/SP.  
Standard Door Thickness: 38-55mm

◀ **81ST03 SS ET**

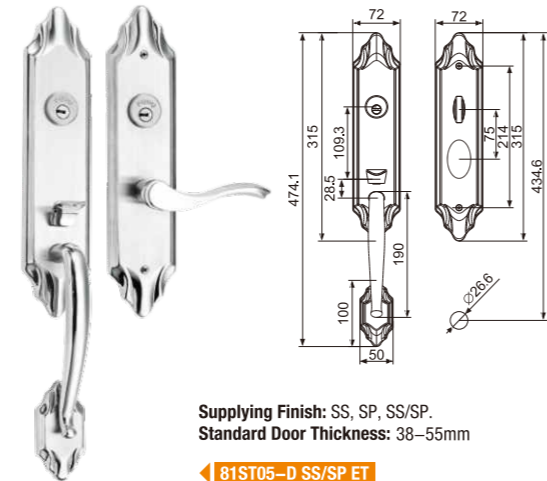
MODEL NO. : **81ST03W** MATERIAL: Stamping stainless steel 304



Supplying Finish: SS, SP, SS/SP.  
Standard Door Thickness: 38-55mm

◀ **81ST03W SS/SP ET**

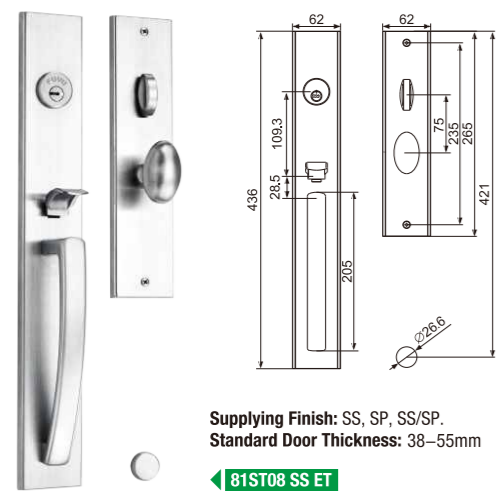
MODEL NO. : **81ST05** MATERIAL: Stamping stainless steel 304



Supplying Finish: SS, SP, SS/SP.  
Standard Door Thickness: 38-55mm

◀ **81ST05-D SS/SP ET**

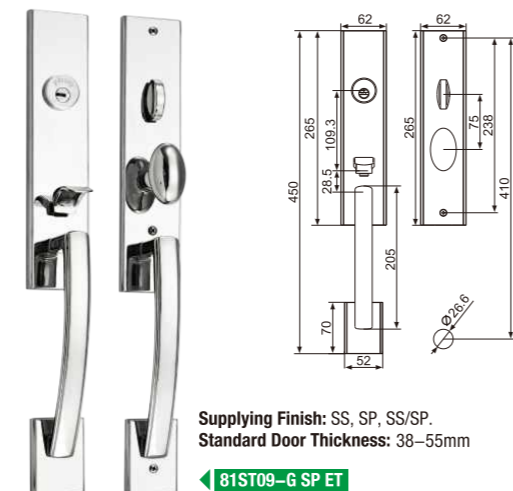
MODEL NO. : **81ST08** MATERIAL: Stamping stainless steel 304



Supplying Finish: SS, SP, SS/SP.  
Standard Door Thickness: 38-55mm

◀ **81ST08 SS ET**

MODEL NO. : **81ST09** MATERIAL: Stamping stainless steel 304



Supplying Finish: SS, SP, SS/SP.  
Standard Door Thickness: 38-55mm

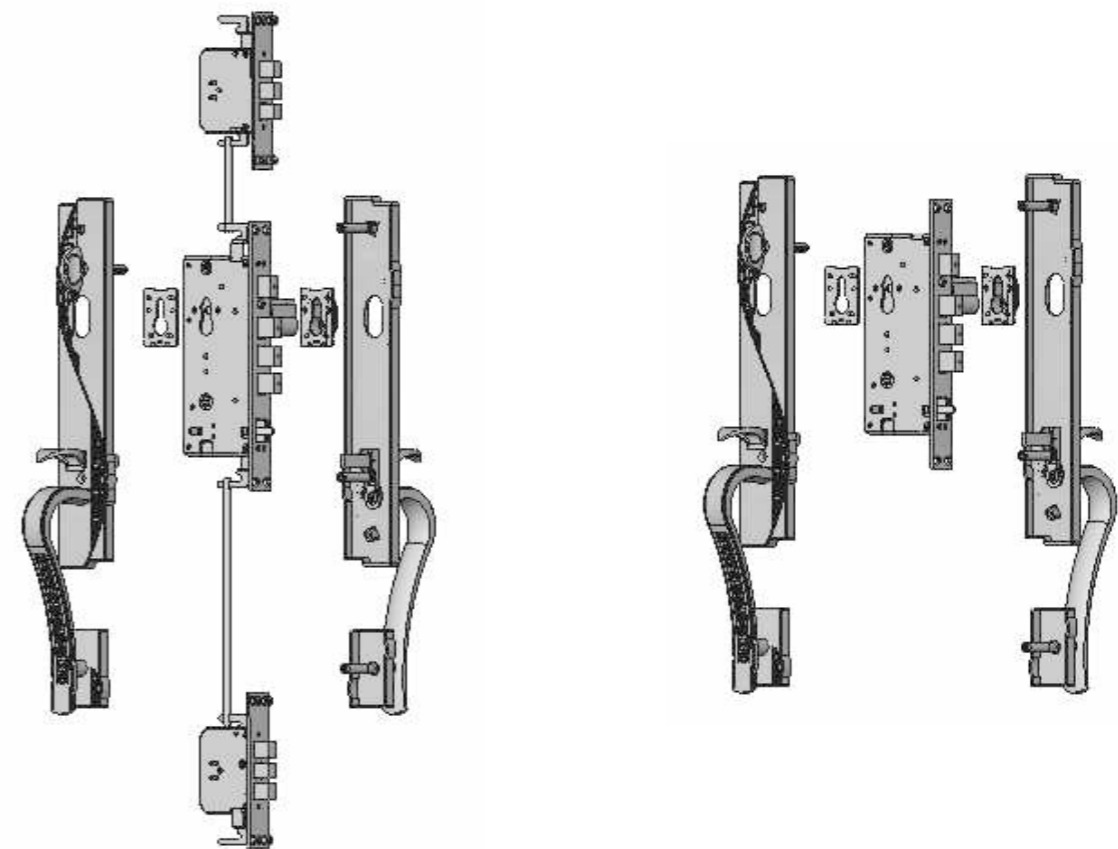
◀ **81ST09-G SP ET**

## FULL INTRODUCTION OF SERIES 89

### MAIN SPECIFICATIONS OF SERIES 89

- Apply to all kinds of security doors, metal doors and wooden doors.
- Mortise type.
- First-creative revolutionary design for lock case and cylinder.
- Production permitted by the Ministry of Public Security of P.R.C.
- Security level certified by Testing Centre of the Ministry of Public Security of P.R.C.
- Fire-proof qualified.
- 10 years mechanism warranty under correct installation and normal usage.
- Multipoint locking system.
- Cylinder with high grade anti-drill level.
- Construction key Function.
- Anti-cut bolt.
- Anti-panic.
- Back locking function.
- Easily reversible for left and right handing.

### ASSEMBLY ILLUSTRATION



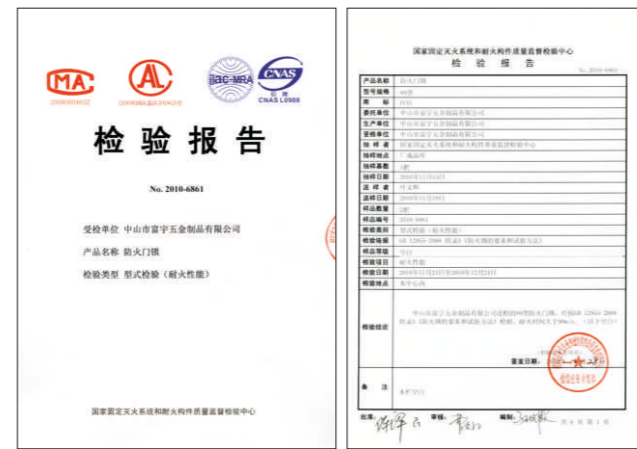
Multipoint Locking System

Standard Locking System

**Production Permitted By The Ministry Of Public Security Of P.R.C.**

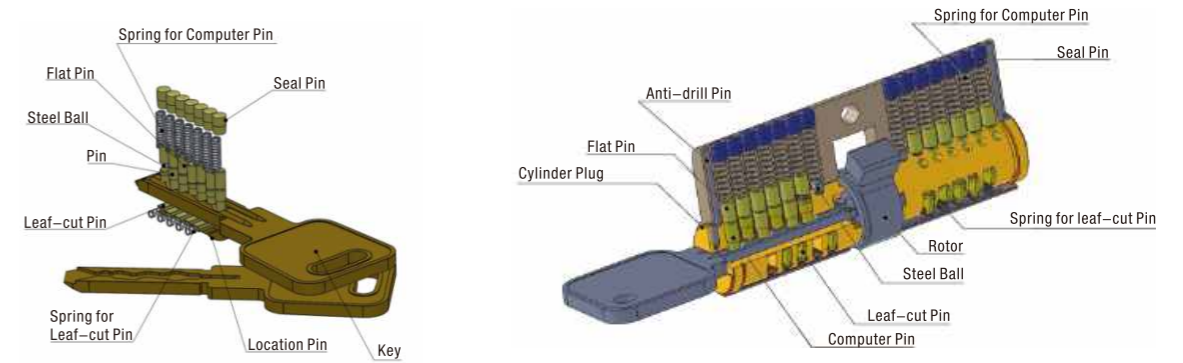


**Fire-proof Certificate**



**CYLINDER**

**Dual Keyway(one-side Single-row Pin,one-side Track-cut Pin)**



**Test Report By The Ministry Of Public Security Of P.r.c. Grade A Test**



**Test Report By The Ministry Of Public Security Of P.r.c. Grade B Test**



**Half Cylinder(type G And Type I)**



**Double Cylinder(type F And Type H)**



**Plastic Box For Owner Keys**



The owner keys are sealed inside the plastic box, you could not get the owner keys unless make the box broken, offering maximum security.

- Global first-creative revolutionary to combine track and pin technology, one side single-row pin and one side leaf-cut pin, valid different key cuts are up to **15,000,000** sets, top security.
- High quality brass for housing, core(plug) and pins, processed with highly precise CNC machines.
- Inside with anti-drill pin and outside with cylinder protector, double security guarantee.
- With construction key function, each cylinder with **5 pcs** owner keys +**2 pcs** construction keys.
- Thickness of key is **2.8mm**.

**Test Report By The Ministry Of Public Security Of P.r.c. Grade C Test**

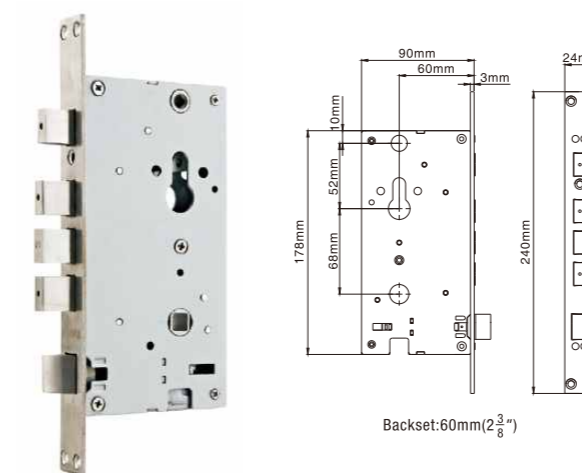


**BOX DESIGN**



**MASTER MORTISE LOCK CASE**

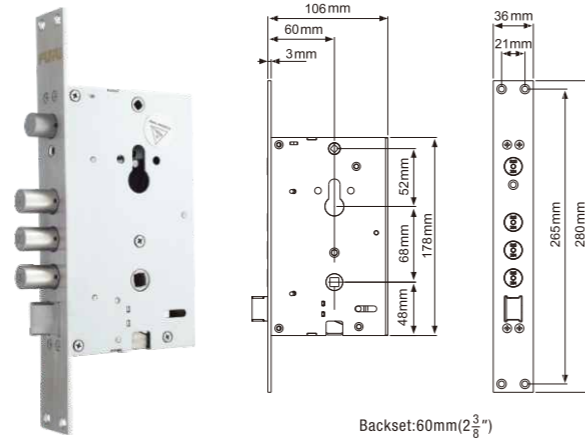
**Standard Version Mortise Lock**



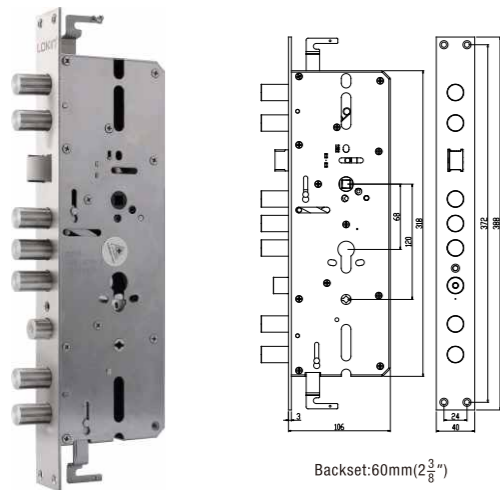
- Standard dimension design, easy and convenient for installation.
- Gear-operating mechanism inside, smooth, labor-saving and reliable.
- First-creative revolutionary design for lock case, simple structure, stable and effective.
- High quality imported EGI (electric galvanized) steel sheet for casing, thickness 1.5mm, firm and strong.
- Solid investment-casting stainless steel for cam and rotor, strong and durable.
- Solid stainless steel for back locking bolt and three-piece-bolt, hardened-steel rods inside, anti-cut, strong and high security.
- Solid investment-casting stainless steel for latch, strong and durable, easily reversible for left and right handing.
- Solid stainless steel for forend (thickness 3.0mm)
- Solid stainless steel for strike plate, thickness 2.0mm for wooden doors and 1.2mm for metal doors.

## Heavy Duty Version Mortise Lock

- First—creative revolutionary mechanical design, simple structure with less working parts, more stable and effective than other ordinary lock cases.
- Kick and pry resistant, anti—theft certified.
- Most working parts are processed by powder metallurgy technique, which greatly enhance lifetime and high temperature resistance.
- High quality imported EGI (electric galvanized) steel sheet for casing, thickness 2.0mm, firm and strong.
- Solid investment—casting stainless steel 304 for cam and rotor, strong and durable.
- Solid stainless steel 304 for back locking bolt and three—piece bolt, hardened—steel rods inside, anti—saw, stronger and higher security. Solid investment—casting stainless steel 304 for latch, easily reversible for left and right handing.
- Solid stainless steel for forend (thickness 3.0mm)/strike plate(thickness 2.0mm).



## King Version Mortise Lock



- First—creative revolutionary mechanical design, simple structure with less working parts, more stable and effective than other ordinary lock cases, patented.
- Easily reversible for inward, outward, left and right opening, without disassembling inside components.
- Kick and pry resistant, anti—saw, anti—theft certified at top grade level.
- Stainless steel for casing, thickness 1.5mm, strong and corrosive—resistant.
- The most inside components are made by stainless steel 304 powder metallurgy technology for strongest and heaviest duty purpose.
- Solid investment—casting stainless steel 304 for cam and rotor, strong and durable.
- Solid stainless steel 304 for all bolts and stainless steel 304 powder metallurgy technology for the latch, strong and corrosive—resistant.
- Solid stainless steel 304 for forend (thickness 3.0mm).
- Solid stainless steel for strike plate (thickness 1.5mm).



Strike Box



Strike Plate (For Wooden Door)

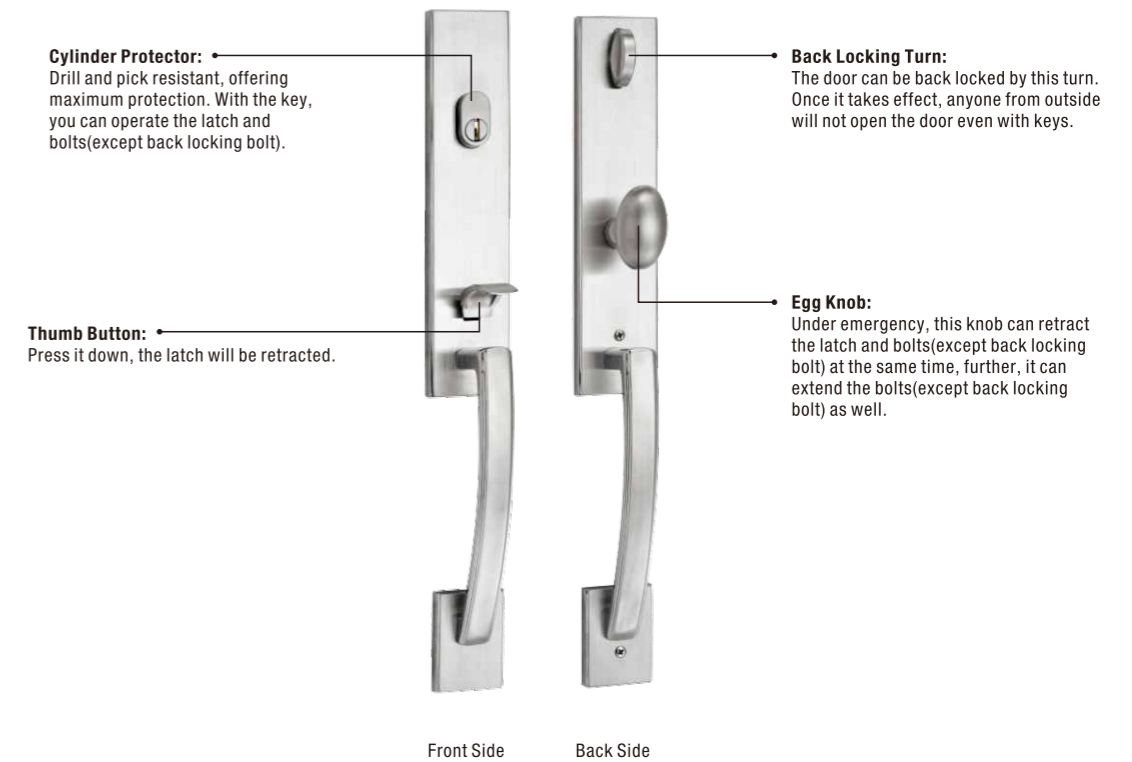


Strike Plate (For Metal Door)

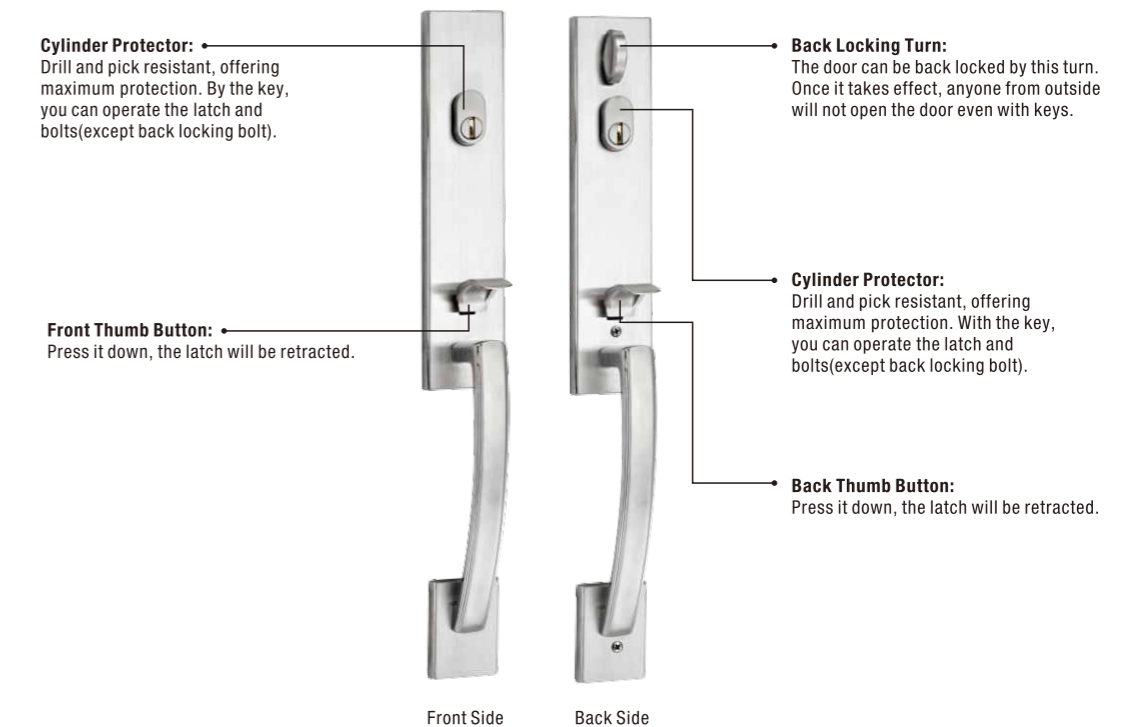
Note: Strike plate and strike box are not standard fittings, they are customized. If need, please advise our sales when you fix the order.

## FUNCTION DESCRIPTION

### 89 SERIES WITH HALF CYLINDER(TYPE G AND TYPE I)



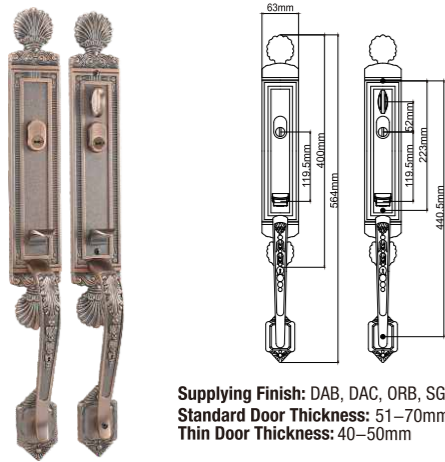
### 89 SERIES WITH DOUBLE CYLINDER(TYPE F AND TYPE H)



# 89 SERIES-MORTISE MECHANISM



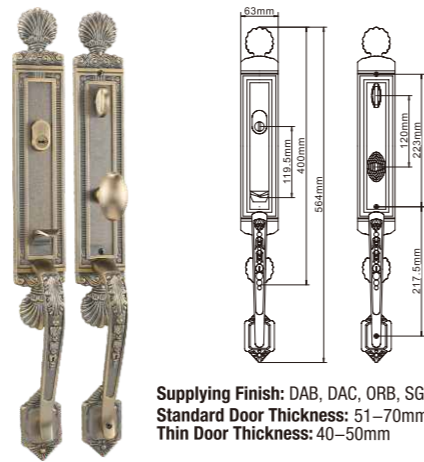
MODEL NO. : **8905-F** MATERIAL: Solid zinc alloy die-casting



Supplying Finish: DAB, DAC, ORB, SG, YB.  
Standard Door Thickness: 51-70mm  
Thin Door Thickness: 40-50mm

◀ 8905-F DAC ET

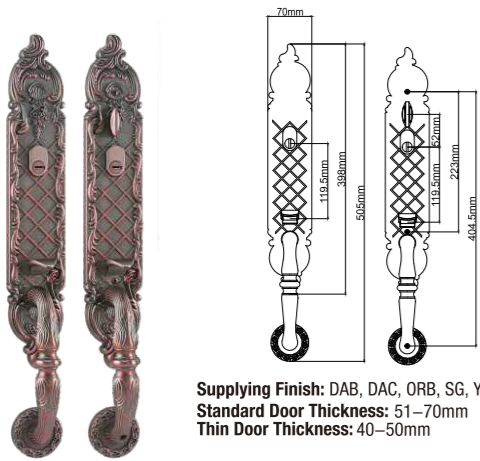
MODEL NO. : **8905-G** MATERIAL: Solid zinc alloy die-casting



Supplying Finish: DAB, DAC, ORB, SG, YB.  
Standard Door Thickness: 51-70mm  
Thin Door Thickness: 40-50mm

◀ 8905-G DAB ET

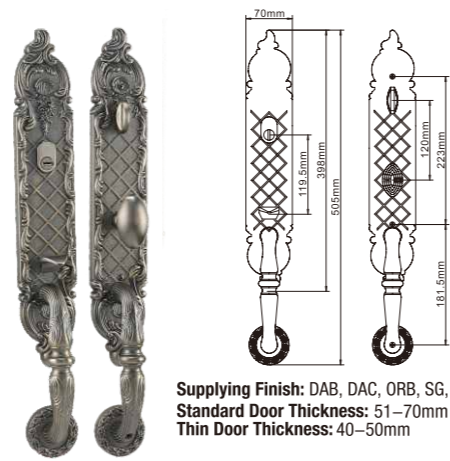
MODEL NO. : **8909-F** MATERIAL: Solid zinc alloy die-casting



Supplying Finish: DAB, DAC, ORB, SG, YB.  
Standard Door Thickness: 51-70mm  
Thin Door Thickness: 40-50mm

◀ 8909-F DAC ET

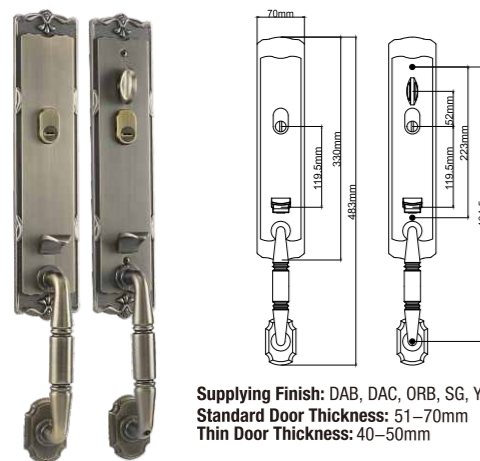
MODEL NO. : **8909-G** MATERIAL: Solid zinc alloy die-casting



Supplying Finish: DAB, DAC, ORB, SG, YB.  
Standard Door Thickness: 51-70mm  
Thin Door Thickness: 40-50mm

◀ 8909-G DAB ET

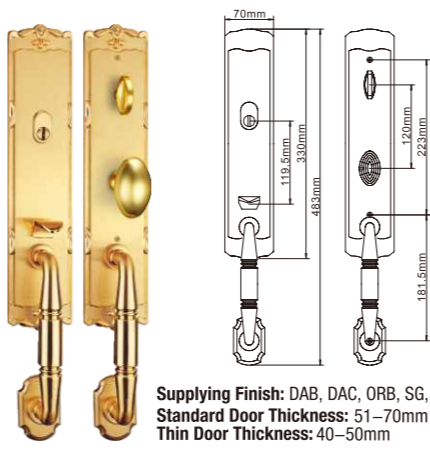
MODEL NO. : **8910-F** MATERIAL: Solid zinc alloy die-casting



Supplying Finish: DAB, DAC, ORB, SG, YB.  
Standard Door Thickness: 51-70mm  
Thin Door Thickness: 40-50mm

◀ 8910-F DAB ET

MODEL NO. : **8910-G** MATERIAL: Solid zinc alloy die-casting



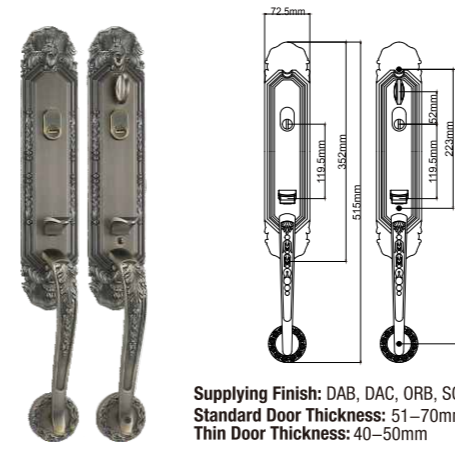
Supplying Finish: DAB, DAC, ORB, SG, YB.  
Standard Door Thickness: 51-70mm  
Thin Door Thickness: 40-50mm

◀ 8910-G SG ET

# 89 SERIES-MORTISE MECHANISM



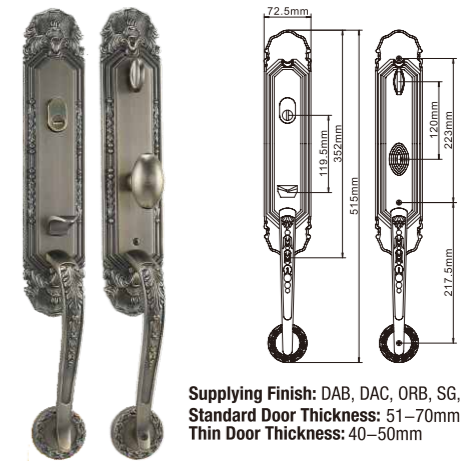
MODEL NO. : **8912-F** MATERIAL: Solid zinc alloy die-casting



Supplying Finish: DAB, DAC, ORB, SG, YB.  
Standard Door Thickness: 51-70mm  
Thin Door Thickness: 40-50mm

◀ 8912-F DAB ET

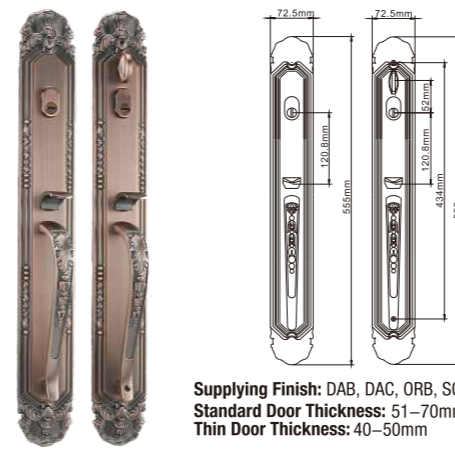
MODEL NO. : **8912-G** MATERIAL: Solid zinc alloy die-casting



Supplying Finish: DAB, DAC, ORB, SG, YB.  
Standard Door Thickness: 51-70mm  
Thin Door Thickness: 40-50mm

◀ 8912-G DAB ET

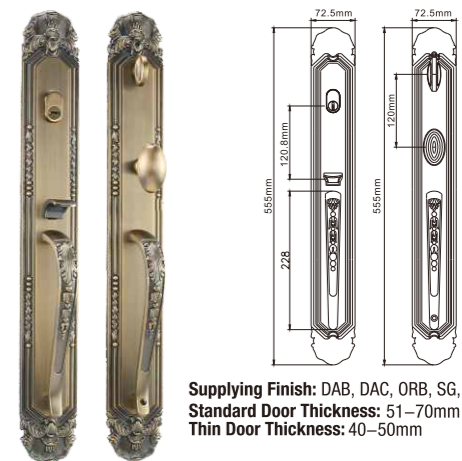
MODEL NO. : **8912-H** MATERIAL: Solid zinc alloy die-casting



Supplying Finish: DAB, DAC, ORB, SG, YB.  
Standard Door Thickness: 51-70mm  
Thin Door Thickness: 40-50mm

◀ 8912-H DAC ET

MODEL NO. : **8912-J** MATERIAL: Solid zinc alloy die-casting



Supplying Finish: DAB, DAC, ORB, SG, YB.  
Standard Door Thickness: 51-70mm  
Thin Door Thickness: 40-50mm

◀ 8912-J DAB ET

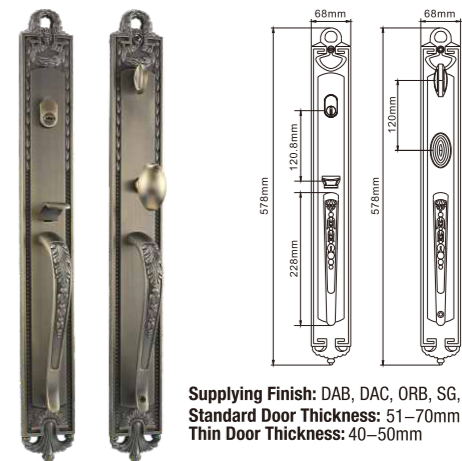
MODEL NO. : **8916-H** MATERIAL: Solid zinc alloy die-casting



Supplying Finish: DAB, DAC, ORB, SG, YB.  
Standard Door Thickness: 51-70mm  
Thin Door Thickness: 40-50mm

◀ 8916-H DAB ET

MODEL NO. : **8916-J** MATERIAL: Solid zinc alloy die-casting



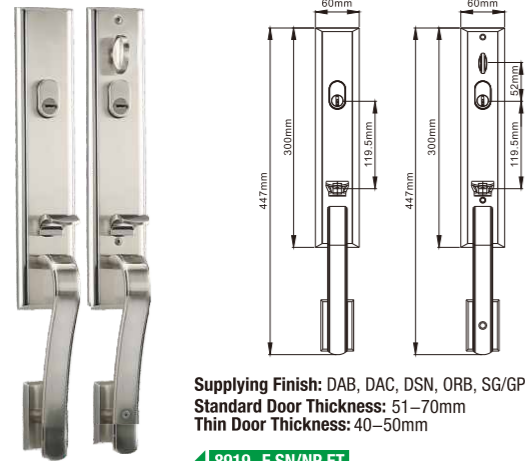
Supplying Finish: DAB, DAC, ORB, SG, YB.  
Standard Door Thickness: 51-70mm  
Thin Door Thickness: 40-50mm

◀ 8916-J DAB ET

# 89 SERIES-MORTISE MECHANISM



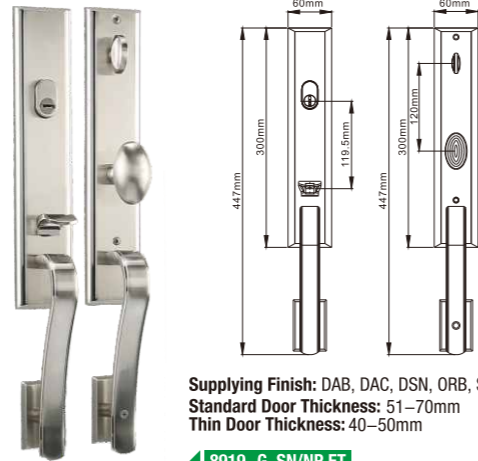
MODEL NO. : **8919-F** MATERIAL: Solid zinc alloy die-casting



Supplying Finish: DAB, DAC, DSN, ORB, SG/GP, SN/NP.  
Standard Door Thickness: 51-70mm  
Thin Door Thickness: 40-50mm

◀ 8919-F SN/NP ET

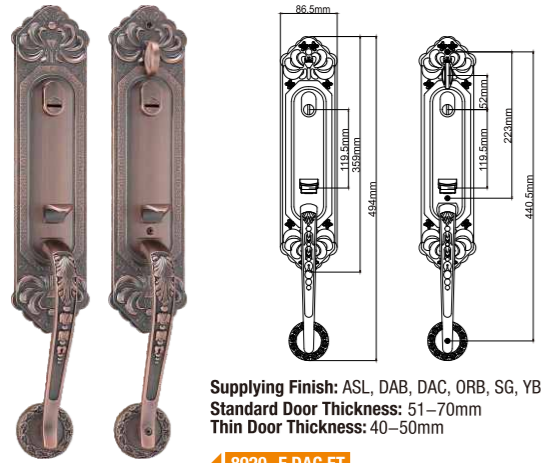
MODEL NO. : **8919-G** MATERIAL: Solid zinc alloy die-casting



Supplying Finish: DAB, DAC, DSN, ORB, SG/GP, SN/NP.  
Standard Door Thickness: 51-70mm  
Thin Door Thickness: 40-50mm

◀ 8919-G SN/NP ET

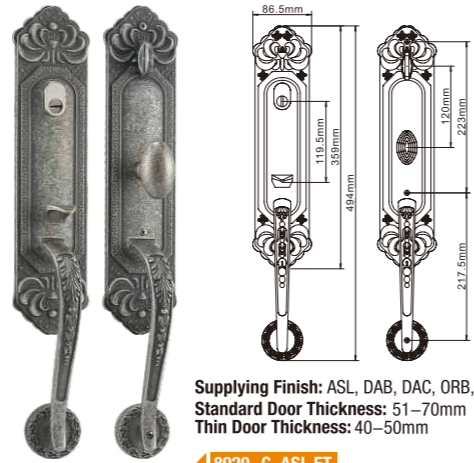
MODEL NO. : **8920-F** MATERIAL: Solid zinc alloy die-casting



Supplying Finish: ASL, DAB, DAC, ORB, SG, YB.  
Standard Door Thickness: 51-70mm  
Thin Door Thickness: 40-50mm

◀ 8920-F DAC ET

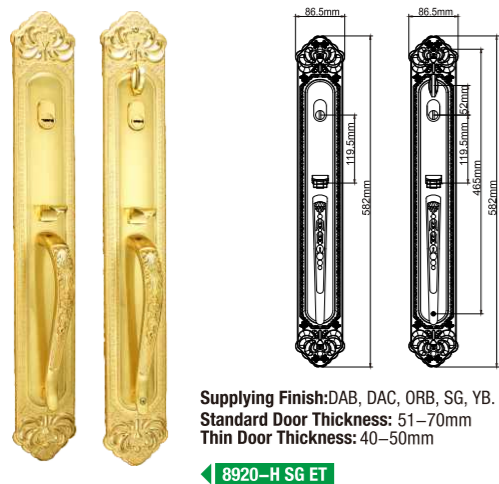
MODEL NO. : **8920-G** MATERIAL: Solid zinc alloy die-casting



Supplying Finish: ASL, DAB, DAC, ORB, SG, YB.  
Standard Door Thickness: 51-70mm  
Thin Door Thickness: 40-50mm

◀ 8920-G ASL ET

MODEL NO. : **8920-H** MATERIAL: Solid zinc alloy die-casting



Supplying Finish: DAB, DAC, ORB, SG, YB.  
Standard Door Thickness: 51-70mm  
Thin Door Thickness: 40-50mm

◀ 8920-H SG ET

MODEL NO. : **8920-J** MATERIAL: Solid zinc alloy die-casting



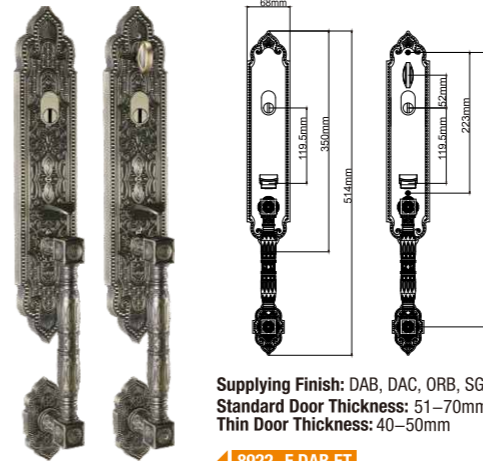
Supplying Finish: DAB, DAC, ORB, SG, YB.  
Standard Door Thickness: 51-70mm  
Thin Door Thickness: 40-50mm

◀ 8920-J DAB ET

# 89 SERIES-MORTISE MECHANISM



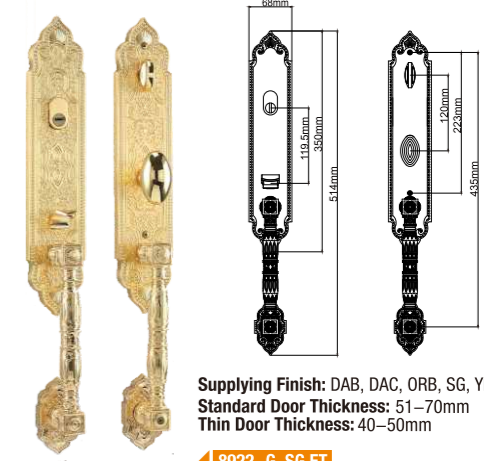
MODEL NO. : **8922-F** MATERIAL: Solid zinc alloy die-casting



Supplying Finish: DAB, DAC, ORB, SG, YB.  
Standard Door Thickness: 51-70mm  
Thin Door Thickness: 40-50mm

◀ 8922-F DAB ET

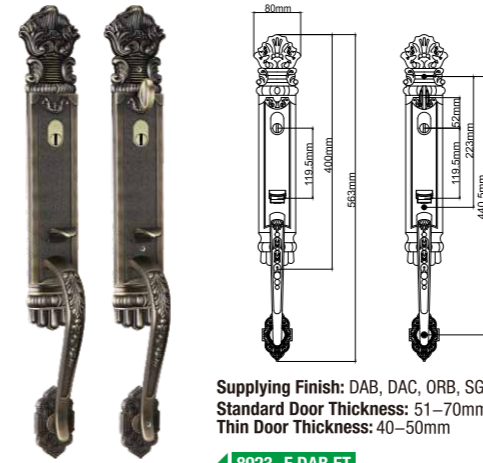
MODEL NO. : **8922-G** MATERIAL: Solid zinc alloy die-casting



Supplying Finish: DAB, DAC, ORB, SG, YB.  
Standard Door Thickness: 51-70mm  
Thin Door Thickness: 40-50mm

◀ 8922-G SG ET

MODEL NO. : **8923-F** MATERIAL: Solid zinc alloy die-casting



Supplying Finish: DAB, DAC, ORB, SG, YB.  
Standard Door Thickness: 51-70mm  
Thin Door Thickness: 40-50mm

◀ 8923-F DAB ET

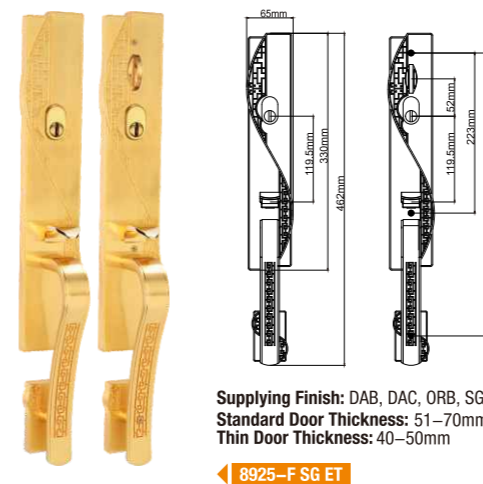
MODEL NO. : **8923-G** MATERIAL: Solid zinc alloy die-casting



Supplying Finish: DAB, DAC, ORB, SG, YB.  
Standard Door Thickness: 51-70mm  
Thin Door Thickness: 40-50mm

◀ 8923-G DAC ET

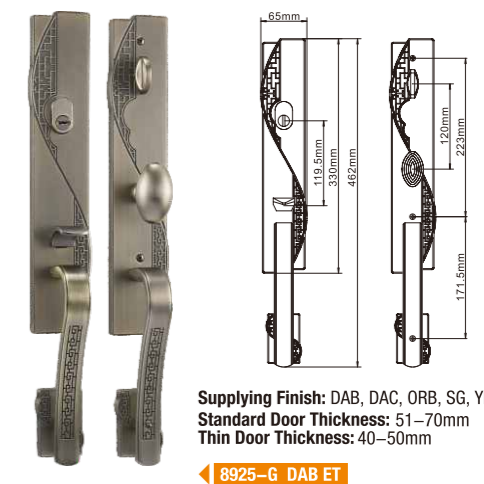
MODEL NO. : **8925-F** MATERIAL: Solid zinc alloy die-casting



Supplying Finish: DAB, DAC, ORB, SG, YB.  
Standard Door Thickness: 51-70mm  
Thin Door Thickness: 40-50mm

◀ 8925-F SG ET

MODEL NO. : **8925-G** MATERIAL: Solid zinc alloy die-casting



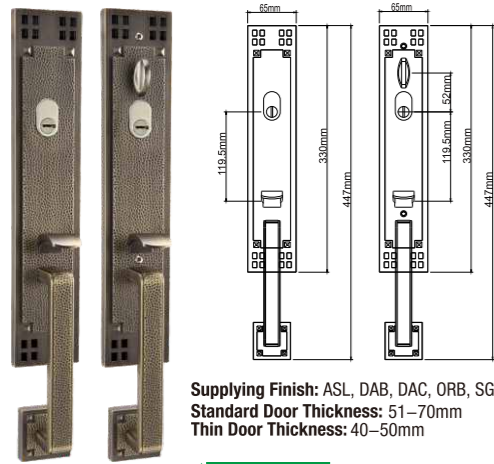
Supplying Finish: DAB, DAC, ORB, SG, YB.  
Standard Door Thickness: 51-70mm  
Thin Door Thickness: 40-50mm

◀ 8925-G DAB ET

# 89 SERIES-MORTISE MECHANISM



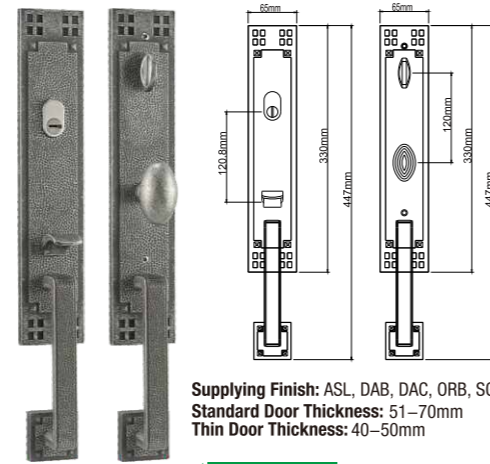
MODEL NO. : **8930-F** MATERIAL: Solid zinc alloy die-casting



8930-F DAB ET

Supplying Finish: ASL, DAB, DAC, ORB, SG, YB.  
Standard Door Thickness: 51-70mm  
Thin Door Thickness: 40-50mm

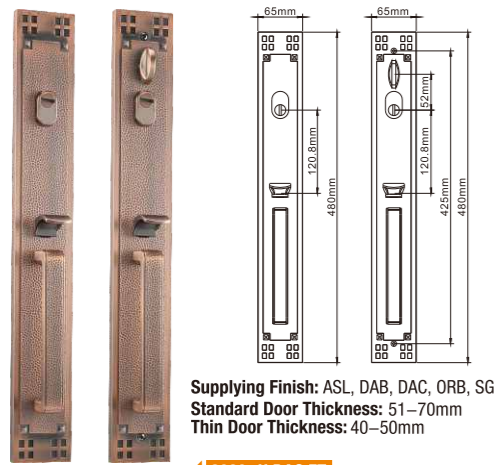
MODEL NO. : **8930-G** MATERIAL: Solid zinc alloy die-casting



8930-G ASL ET

Supplying Finish: ASL, DAB, DAC, ORB, SG, YB.  
Standard Door Thickness: 51-70mm  
Thin Door Thickness: 40-50mm

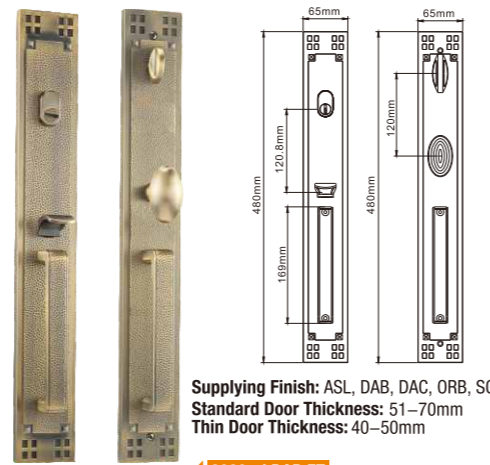
MODEL NO. : **8930-H** MATERIAL: Solid zinc alloy die-casting



8930-H DAC ET

Supplying Finish: ASL, DAB, DAC, ORB, SG, YB.  
Standard Door Thickness: 51-70mm  
Thin Door Thickness: 40-50mm

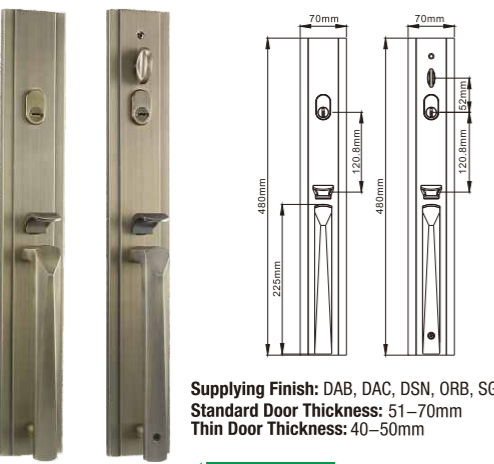
MODEL NO. : **8930-J** MATERIAL: Solid zinc alloy die-casting



8930-J DAB ET

Supplying Finish: ASL, DAB, DAC, ORB, SG, YB.  
Standard Door Thickness: 51-70mm  
Thin Door Thickness: 40-50mm

MODEL NO. : **8932-H** MATERIAL: Solid zinc alloy die-casting



8932-H DAB ET

Supplying Finish: DAB, DAC, DSN, ORB, SG, YB.  
Standard Door Thickness: 51-70mm  
Thin Door Thickness: 40-50mm

MODEL NO. : **8932-J** MATERIAL: Solid zinc alloy die-casting



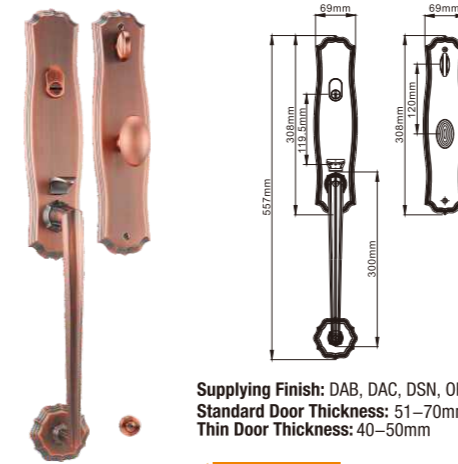
8932-J DAC ET

Supplying Finish: DAB, DAC, DSN, ORB, SG, YB.  
Standard Door Thickness: 51-70mm  
Thin Door Thickness: 40-50mm

# 89 SERIES-MORTISE MECHANISM



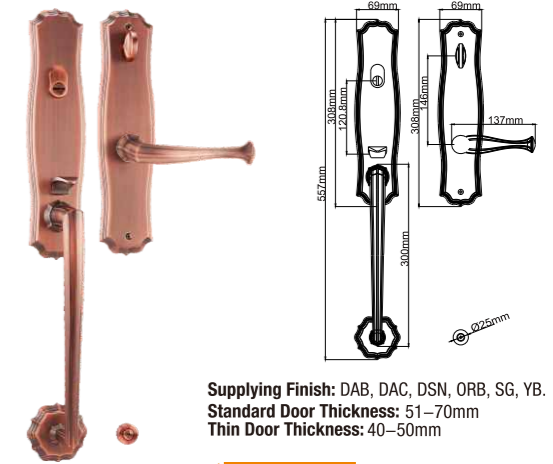
MODEL NO. : **8935-A** MATERIAL: Solid zinc alloy die-casting



8935-A DAC ET

Supplying Finish: DAB, DAC, DSN, ORB, SG, YB.  
Standard Door Thickness: 51-70mm  
Thin Door Thickness: 40-50mm

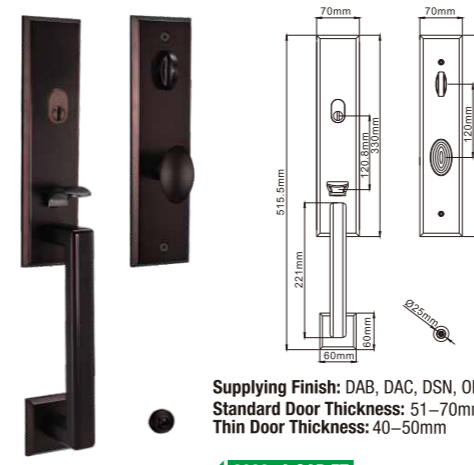
MODEL NO. : **8935-B** MATERIAL: Solid zinc alloy die-casting



8935-B DAC ET

Supplying Finish: DAB, DAC, DSN, ORB, SG, YB.  
Standard Door Thickness: 51-70mm  
Thin Door Thickness: 40-50mm

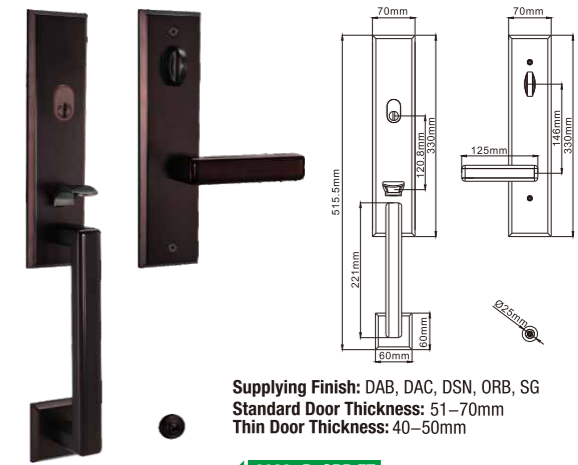
MODEL NO. : **8988-A** MATERIAL: Solid zinc alloy die-casting



8988-A OAB ET

Supplying Finish: DAB, DAC, DSN, ORB, SG  
Standard Door Thickness: 51-70mm  
Thin Door Thickness: 40-50mm

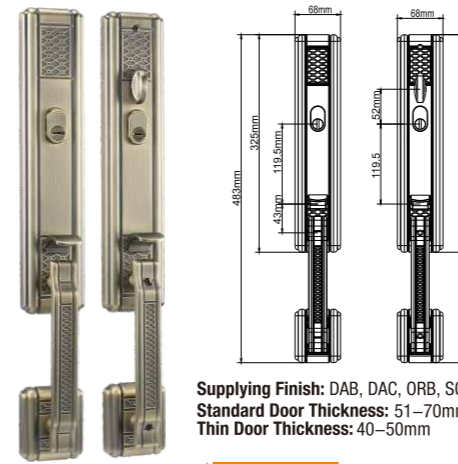
MODEL NO. : **8988-B** MATERIAL: Solid zinc alloy die-casting



8988-B ORB ET

Supplying Finish: DAB, DAC, DSN, ORB, SG  
Standard Door Thickness: 51-70mm  
Thin Door Thickness: 40-50mm

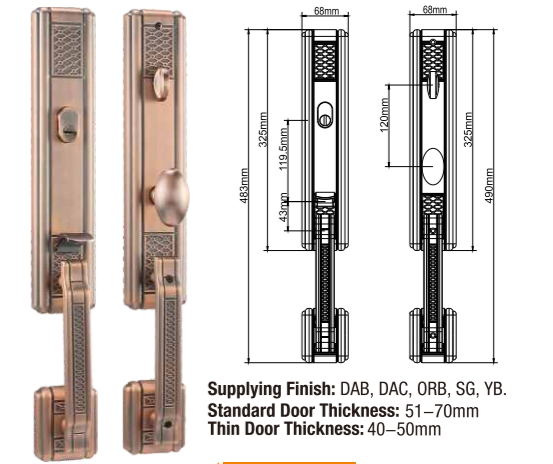
MODEL NO. : **8989-F** MATERIAL: Solid zinc alloy die-casting



8989-F DAB ET

Supplying Finish: DAB, DAC, ORB, SG, YB.  
Standard Door Thickness: 51-70mm  
Thin Door Thickness: 40-50mm

MODEL NO. : **8989-G** MATERIAL: Solid zinc alloy die-casting

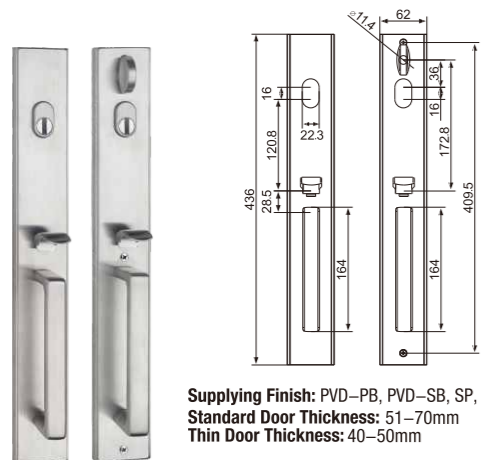


8989-G DAC ET

Supplying Finish: DAB, DAC, ORB, SG, YB.  
Standard Door Thickness: 51-70mm  
Thin Door Thickness: 40-50mm



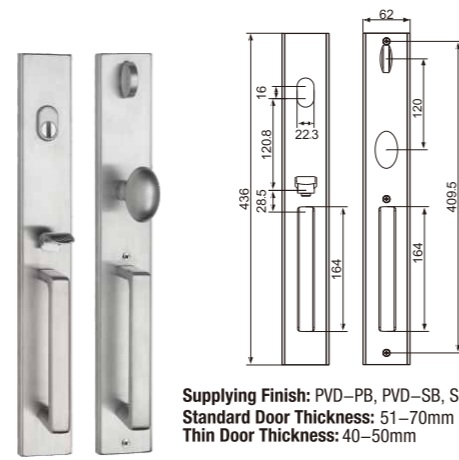
MODEL NO. : **89ST03-H** MATERIAL: Stamping stainless steel 304



Supplying Finish: PVD-PB, PVD-SB, SP, SS, SS/SP.  
Standard Door Thickness: 51-70mm  
Thin Door Thickness: 40-50mm

◀ 89ST03-H SS ET

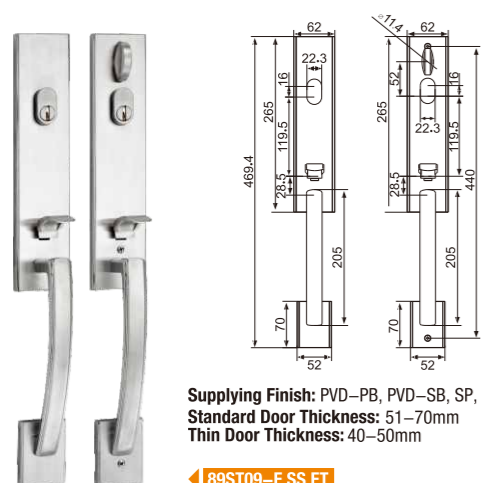
MODEL NO. : **89ST03-J** MATERIAL: Stamping stainless steel 304



Supplying Finish: PVD-PB, PVD-SB, SP, SS, SS/SP.  
Standard Door Thickness: 51-70mm  
Thin Door Thickness: 40-50mm

◀ 89ST03-J SS ET

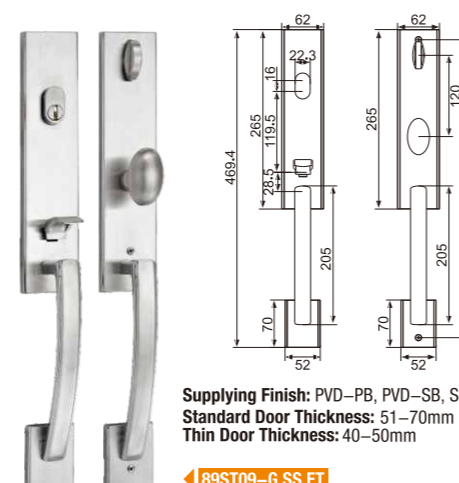
MODEL NO. : **89ST09-F** MATERIAL: Stamping stainless steel 304



Supplying Finish: PVD-PB, PVD-SB, SP, SS, SS/SP.  
Standard Door Thickness: 51-70mm  
Thin Door Thickness: 40-50mm

◀ 89ST09-F SS ET

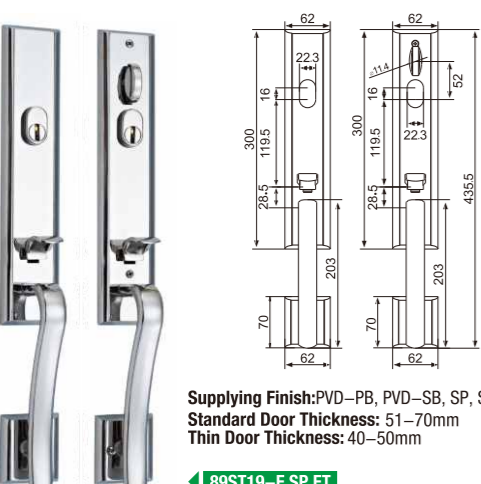
MODEL NO. : **89ST09-G** MATERIAL: Stamping stainless steel 304



Supplying Finish: PVD-PB, PVD-SB, SP, SS, SS/SP.  
Standard Door Thickness: 51-70mm  
Thin Door Thickness: 40-50mm

◀ 89ST09-G SS ET

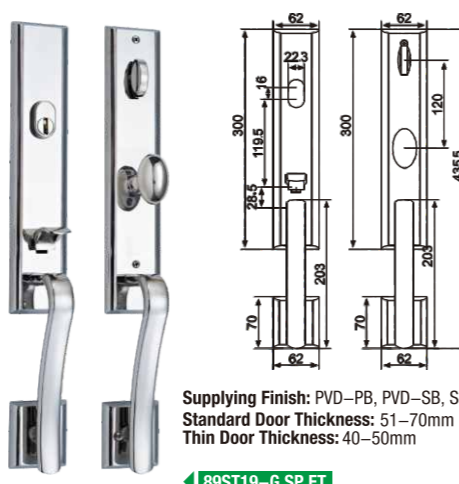
MODEL NO. : **89ST19-F** MATERIAL: Stamping stainless steel 304



Supplying Finish: PVD-PB, PVD-SB, SP, SS, SS/SP.  
Standard Door Thickness: 51-70mm  
Thin Door Thickness: 40-50mm

◀ 89ST19-F SP ET

MODEL NO. : **89ST19-G** MATERIAL: Stamping stainless steel 304



Supplying Finish: PVD-PB, PVD-SB, SP, SS, SS/SP.  
Standard Door Thickness: 51-70mm  
Thin Door Thickness: 40-50mm

◀ 89ST19-G SP ET

## FULL INTRODUCTION OF SERIES 86

### MAIN SPECIFICATIONS

- Apply to all kinds of wooden doors and metal doors.
- Tubular type.
- Distinguished entrance trim designs with rich styles, finish selections and levers of configurability.
- Heavy-duty, 10 years mechanical warranty under correct installation and normal usage.
- The 3<sup>rd</sup> generation tubular mechanism with anti-saw function.
- The 3<sup>rd</sup> generation high-tech cylinder with secure keyway and construction key function.
- Easily reversible for left and right opening doors.
- Easy installation, instruction manual included.

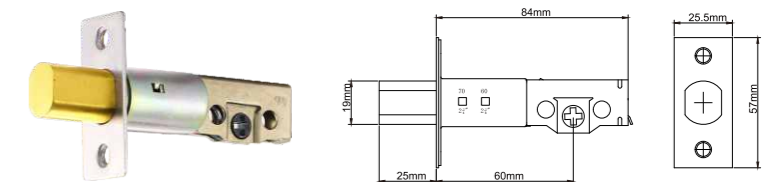
### ASSEMBLY ILLUSTRATION



### THE 3<sup>RD</sup> GENERATION TUBULAR LATCH AND DEADBOLT

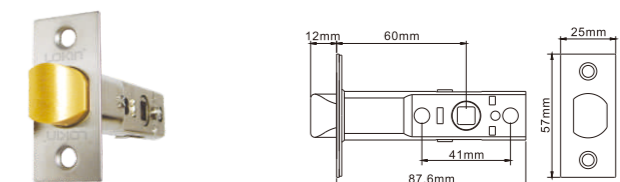
#### Deadbolt

- Solid brass for bolt tongue.
- Reinforced with a big & hardened steel insert, anti-saw, higher security.
- High quality steel for casing, precise mechanism inside, strong and stable.
- Solid stainless steel for forend and strike plate.
- Backset: 60mm(2 $\frac{3}{8}$ " )-70mm(2 $\frac{3}{4}$ " ) adjustable.



#### Latch

- Solid brass for latch tongue.
- High quality steel for casing, precise mechanism inside, strong and stable.
- Solid stainless steel for forend and strike plate.
- Backset: Standard: 60mm(2 $\frac{3}{8}$ " )  
Customized: 70mm(2 $\frac{3}{4}$ " )



#### Driving Rack For Latch

High quality steel turning rack & gear driving mechanism inside, enable the latch to work smoothly.

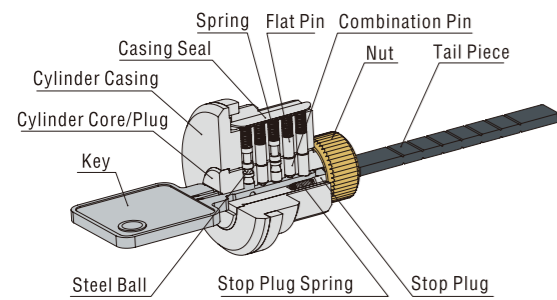


## THE 3<sup>RD</sup> GENERATION HIGH-TECH CYLINDER

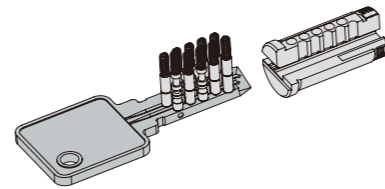


- High-tech solid brass cylinder (Brass for housing, core/plug, pins and nut).
- Machined by precise CNC (Computer Numeric Control) equipments according to the most strict QA standard.
- Keyway: Double-Row-Pin technology, 10 pins, pin-combinations are much more than international standard, extremely security.
- Construction key function available: Each cylinder with 5 pcs OWNER keys + 1 pc CONSTRUCTION key, all keys are made by solid brass, thickness 2.5mm.
- Hardened process for tail-piece, stronger and more durable.

### The Structure Of 86 Series Cylinder



### Double-row-pin With Construction Key Function



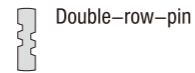
### Plastic Box For Owner Keys



The owner keys are sealed inside the plastic box, you could not get the owner keys unless make the box broken, offering maximum security.

### Supplying Keyway

#### Standard



#### Customized Keyway



For customized keyway, MOQ is necessary, please contact us for win-win solution.

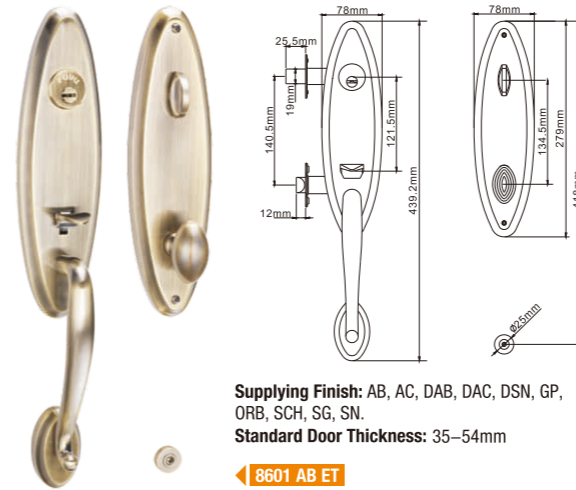
## BOX DESIGN



## 86 SERIES-TUBULAR MECHANISM



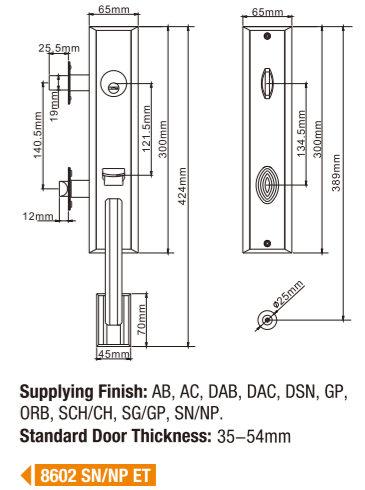
MODEL NO. : **8601** MATERIAL: Solid zinc alloy die-casting



Supplying Finish: AB, AC, DAB, DAC, DSN, GP, ORB, SCH, SG, SN.  
Standard Door Thickness: 35-54mm

◀ **8601 AB ET**

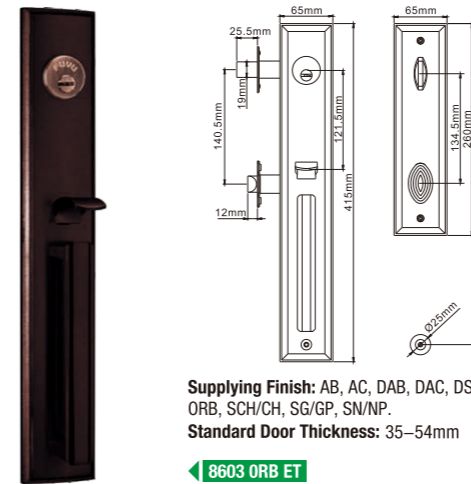
MODEL NO. : **8602** MATERIAL: Solid zinc alloy die-casting



Supplying Finish: AB, AC, DAB, DAC, DSN, GP, ORB, SCH/CH, SG/GP, SN/NP.  
Standard Door Thickness: 35-54mm

◀ **8602 SN/NP ET**

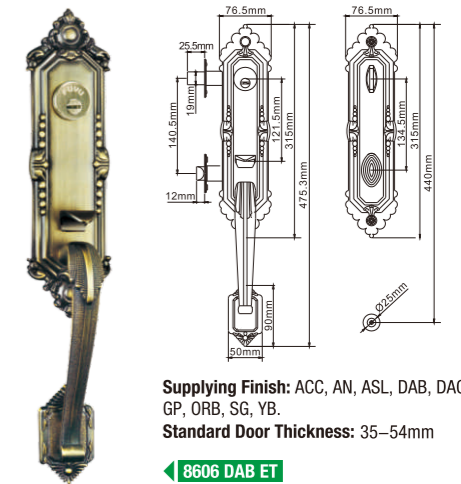
MODEL NO. : **8603** MATERIAL: Solid zinc alloy die-casting



Supplying Finish: AB, AC, DAB, DAC, DSN, GP, ORB, SCH/CH, SG/GP, SN/NP.  
Standard Door Thickness: 35-54mm

◀ **8603 ORB ET**

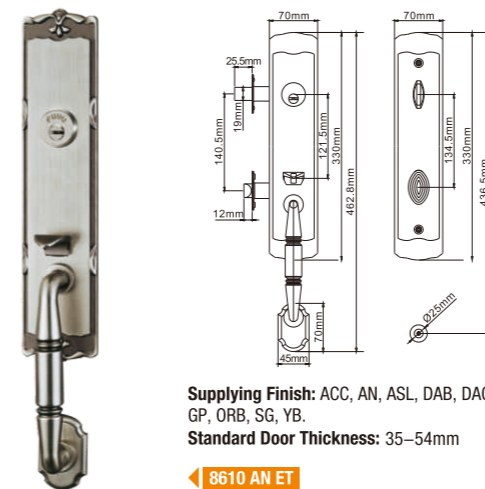
MODEL NO. : **8606** MATERIAL: Solid zinc alloy die-casting



Supplying Finish: ACC, AN, ASL, DAB, DAC, DSN, GP, ORB, SG, YB.  
Standard Door Thickness: 35-54mm

◀ **8606 DAB ET**

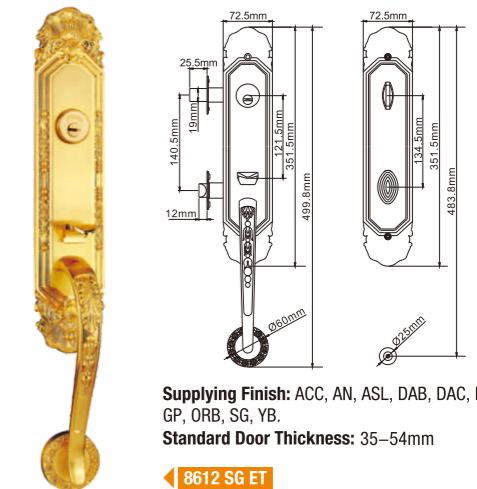
MODEL NO. : **8610** MATERIAL: Solid zinc alloy die-casting



Supplying Finish: ACC, AN, ASL, DAB, DAC, DSN, GP, ORB, SG, YB.  
Standard Door Thickness: 35-54mm

◀ **8610 AN ET**

MODEL NO. : **8612** MATERIAL: Solid zinc alloy die-casting



Supplying Finish: ACC, AN, ASL, DAB, DAC, DSN, GP, ORB, SG, YB.  
Standard Door Thickness: 35-54mm

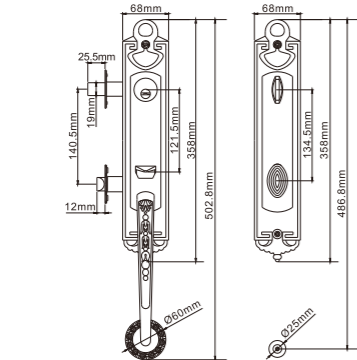
◀ **8612 SG ET**



# 86 SERIES-TUBULAR MECHANISM



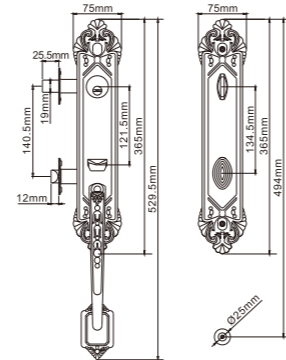
MODEL NO. : **8616** MATERIAL: Solid zinc alloy die-casting



Supplying Finish: ACC, AN, ASL, DAB, DAC, DSN, GP, ORB, SG, YB.  
Standard Door Thickness: 35-54mm

◀ **8616 GP ET**

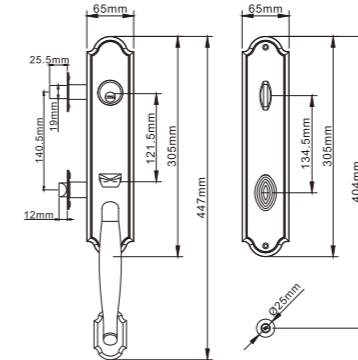
MODEL NO. : **8618** MATERIAL: Solid zinc alloy die-casting



Supplying Finish: ACC, AN, ASL, DAB, DAC, DSN, GP, ORB, SG, YB.  
Standard Door Thickness: 35-54mm

◀ **8618 DAB ET**

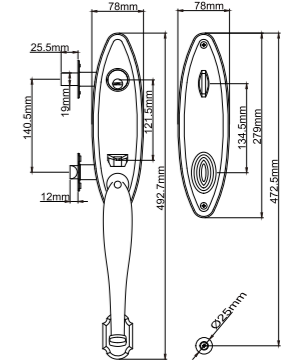
MODEL NO. : **8623** MATERIAL: Solid zinc alloy die-casting



Supplying Finish: AB, AC, DAB, DAC, DSN, GP, OAC, ORB, SCH, SG, SN.  
Standard Door Thickness: 35-54mm

◀ **8623 SN/NP ET**

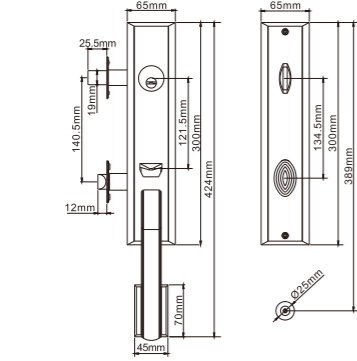
MODEL NO. : **8625** MATERIAL: Solid zinc alloy die-casting



Supplying Finish: AB, AC, AN, DAB, DAC, DSN, GP, OAC, ORB, ORBH, SG, SN.  
Standard Door Thickness: 35-54mm

◀ **8625 OAC ET**

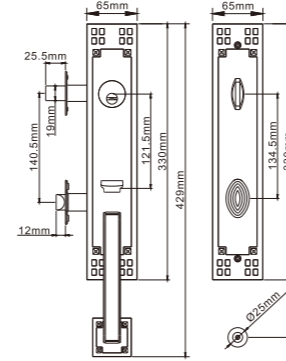
MODEL NO. : **8619** MATERIAL: Solid zinc alloy die-casting



Supplying Finish: AB, AC, DAB, DAC, DSN, GP, ORB, SCH/CH, SG/GP, SN/NP.  
Standard Door Thickness: 35-54mm

◀ **8619 SG/GP ET**

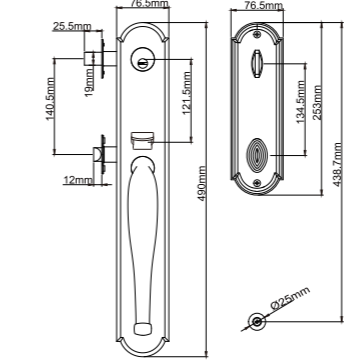
MODEL NO. : **8620** MATERIAL: Solid zinc alloy die-casting



Supplying Finish: ACC, AN, ASL, DAB, DAC, DSN, OAC, ORB, YB.  
Standard Door Thickness: 35-54mm

◀ **8620 ASL ET**

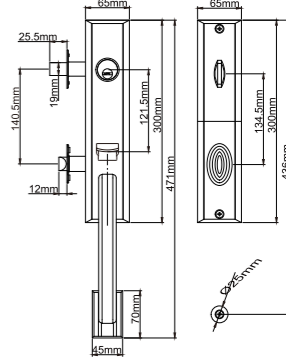
MODEL NO. : **8668** MATERIAL: Solid zinc alloy die-casting



Supplying Finish: AB, AC, AN, DAB, DAC, DSN, GP, OAC, ORB, ORBH, SG, SN.  
Standard Door Thickness: 35-54mm

◀ **8668 ORBH ET**

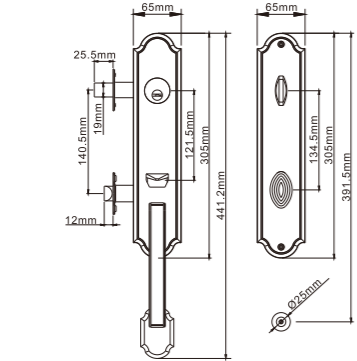
MODEL NO. : **8688** MATERIAL: Solid zinc alloy die-casting



Supplying Finish: AB, AC, AN, DAB, DAC, DSN, GP, OAC, ORB, ORBH, SG, SN.  
Standard Door Thickness: 35-54mm

◀ **8688 ORBH ET**

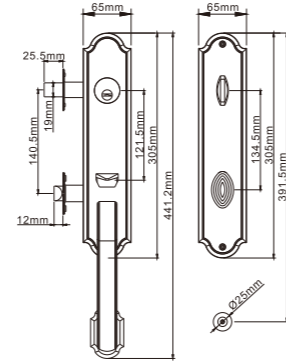
MODEL NO. : **8621** MATERIAL: Solid zinc alloy die-casting



Supplying Finish: AB, AC, DAB, DAC, DSN, GP, ORB, SCH/CH, SG/GP, SN/NP.  
Standard Door Thickness: 35-54mm

◀ **8621 DAB ET**

MODEL NO. : **8622** MATERIAL: Solid zinc alloy die-casting



Supplying Finish: AB, AC, DAB, DAC, DSN, GP, ORB, SCH/CH, SG/GP, SN/NP.  
Standard Door Thickness: 35-54mm

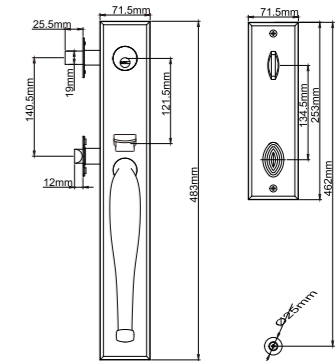
◀ **8622 SN/NP ET**

MODEL NO. : **8669** MATERIAL: Solid zinc alloy die-casting



◀ **8669 AN ET**

◀ **8669 ORBH ET**



Supplying Finish: AB, AC, AN, DAB, DAC, DSN, GP, OAC, ORB, ORBH, SG, SN.  
Standard Door Thickness: 35-54mm

# FULL INTRODUCTION OF SERIES 87/SERIES 83/SERIES 80

## MAIN SPECIFICATIONS

- Artistic design, overturning the old fashion style of similar products, make your entrance doors more personalized and beautiful.
- Apply to all kinds of wooden doors and metal doors.
- Tubular Type.
- Anti-cut for bolt for securer purpose.
- Easily installation and reversible for left & right handing.

## LATCH



- Latch tongue is made by zinc alloy die-casting.
- High quality components inside to ensure good mechanism.
- Backset 60mm( $2\frac{3}{8}$ " )-70mm( $2\frac{3}{4}$ " ) adjustable.

## CYLINDER

- Zinc alloy housing + Solid brass plug (Core)+ Brass pins.
- Normal key (Thickness 2.2mm) or Computer key (Thickness 2.5mm) for option.
- Number of Pin Combination (Key Cut) is over international standard, make your home secure.



## BOX DESIGN



## ASSEMBLY ILLUSTRATION



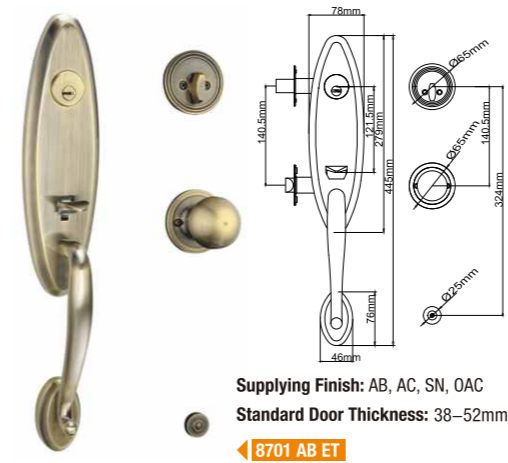
## BOLT



- Bolt tongue is made by zinc alloy die-casting.
- Big hardened steel rod inside for anti-saw and securer purpose.
- High quality components inside to ensure good mechanism.
- Backset 60mm( $2\frac{3}{8}$ " )-70mm( $2\frac{3}{4}$ " ) adjustable.

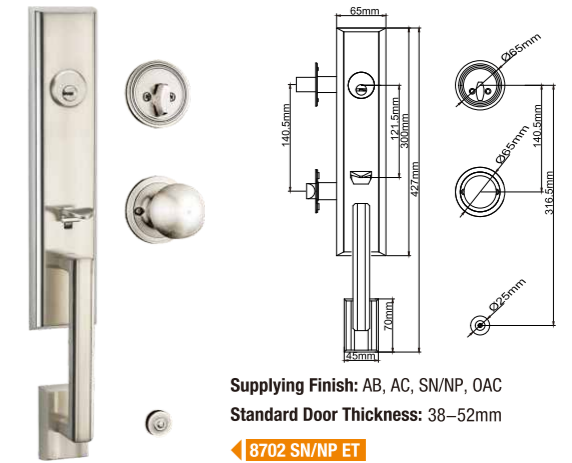
### MODEL NO. : 8701

MATERIAL: Solid zinc alloy + Stainless steel 304/201



### MODEL NO. : 8702

MATERIAL: Solid zinc alloy + Stainless steel 304/201



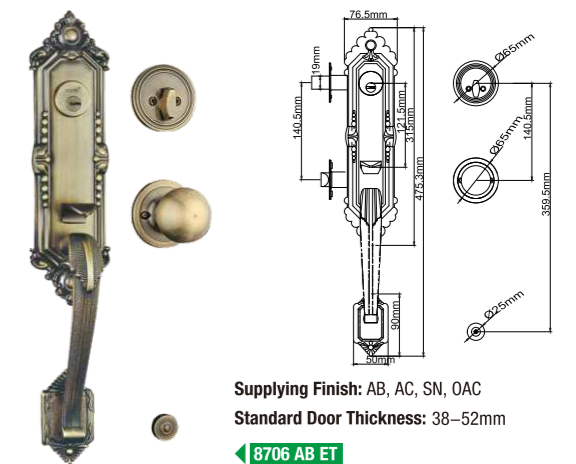
### MODEL NO. : 8703

MATERIAL: Solid zinc alloy + Stainless steel 304/201



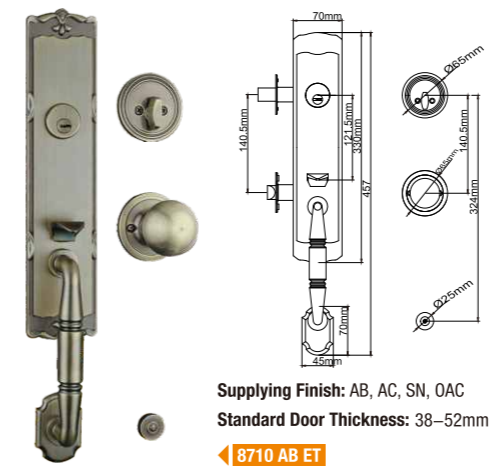
### MODEL NO. : 8706

MATERIAL: Solid zinc alloy + Stainless steel 304/201



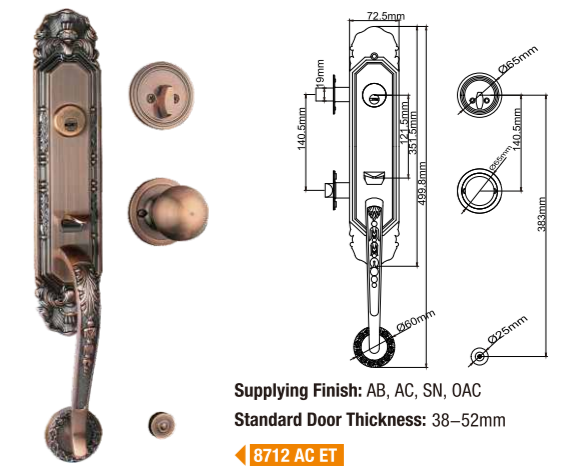
### MODEL NO. : 8710

MATERIAL: Solid zinc alloy + Stainless steel 304/201



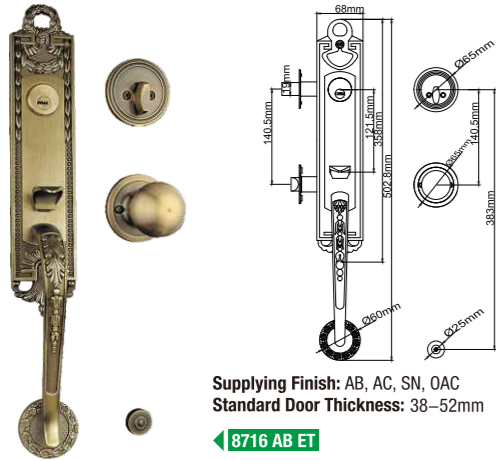
### MODEL NO. : 8712

MATERIAL: Solid zinc alloy + Stainless steel 304/201



**MODEL NO. : 8716**

**MATERIAL:** Solid zinc alloy + Stainless steel 304/201

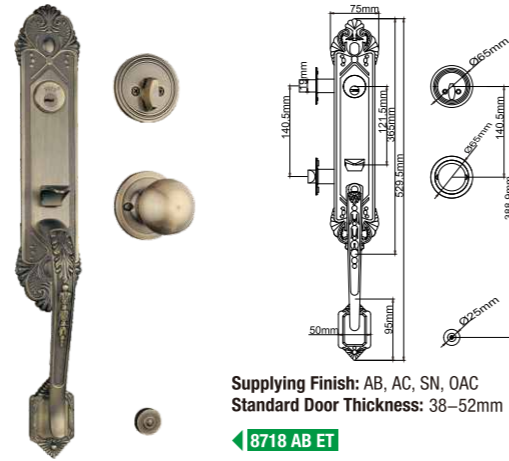


Supplying Finish: AB, AC, SN, OAC  
Standard Door Thickness: 38-52mm

◀ 8716 AB ET

**MODEL NO. : 8718**

**MATERIAL:** Solid zinc alloy + Stainless steel 304/201

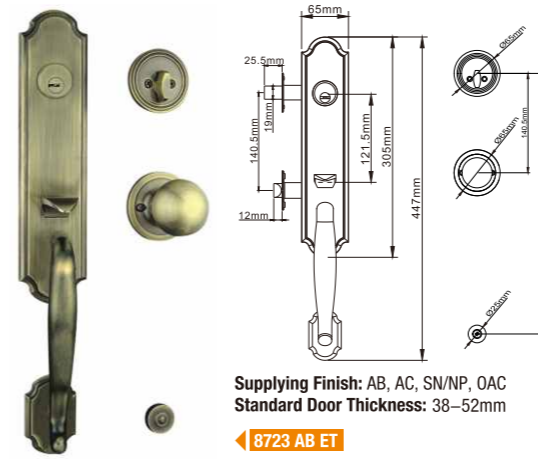


Supplying Finish: AB, AC, SN, OAC  
Standard Door Thickness: 38-52mm

◀ 8718 AB ET

**MODEL NO. : 8723**

**MATERIAL:** Solid zinc alloy + Stainless steel 304/201

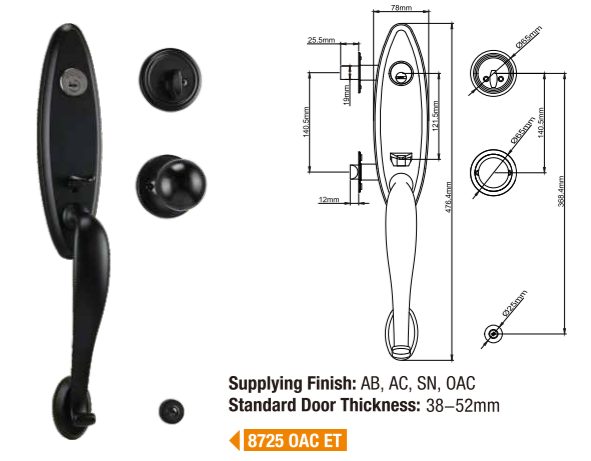


Supplying Finish: AB, AC, SN/NP, OAC  
Standard Door Thickness: 38-52mm

◀ 8723 AB ET

**MODEL NO. : 8725**

**MATERIAL:** Solid zinc alloy + Stainless steel 304/201

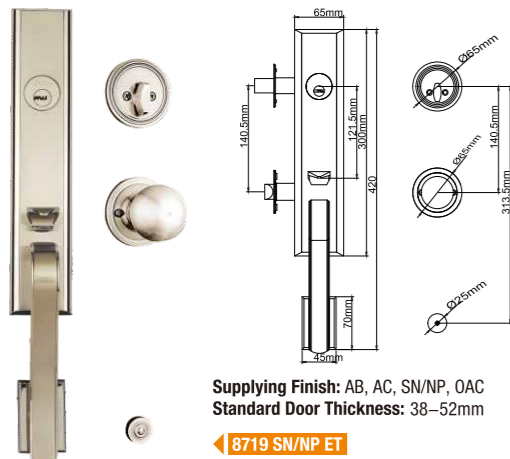


Supplying Finish: AB, AC, SN, OAC  
Standard Door Thickness: 38-52mm

◀ 8725 OAC ET

**MODEL NO. : 8719**

**MATERIAL:** Solid zinc alloy + Stainless steel 304/201

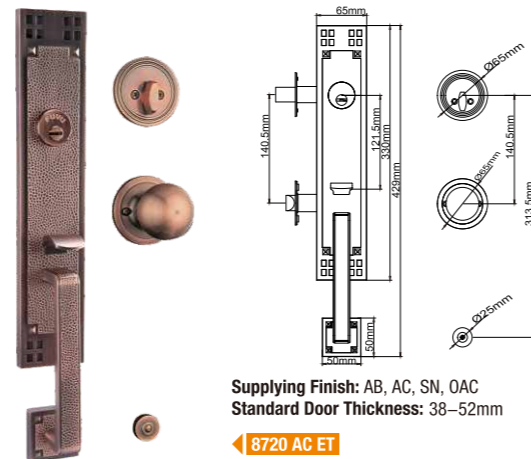


Supplying Finish: AB, AC, SN/NP, OAC  
Standard Door Thickness: 38-52mm

◀ 8719 SN/NP ET

**MODEL NO. : 8720**

**MATERIAL:** Solid zinc alloy + Stainless steel 304/201

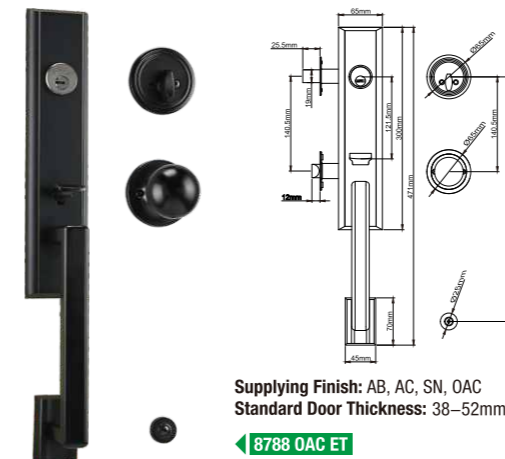


Supplying Finish: AB, AC, SN, OAC  
Standard Door Thickness: 38-52mm

◀ 8720 AC ET

**MODEL NO. : 8788**

**MATERIAL:** Solid zinc alloy + Stainless steel 304/201

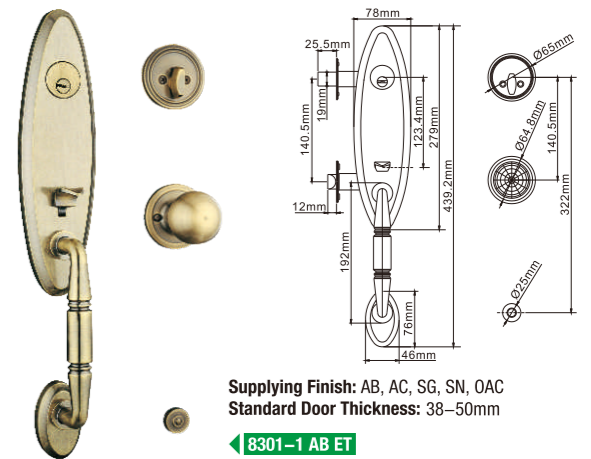


Supplying Finish: AB, AC, SN, OAC  
Standard Door Thickness: 38-52mm

◀ 8788 OAC ET

**MODEL NO. : 8301-1**

**MATERIAL:** Solid zinc alloy + Stainless steel 304/201

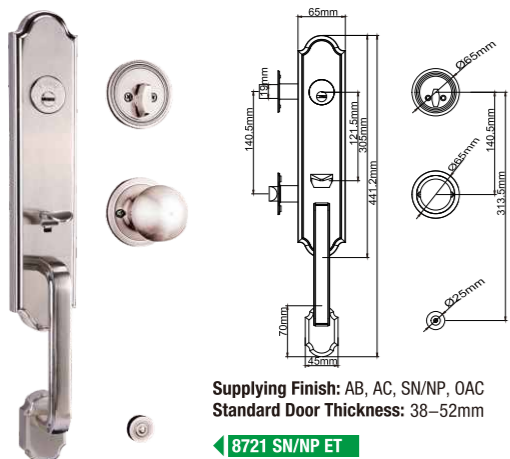


Supplying Finish: AB, AC, SG, SN, OAC  
Standard Door Thickness: 38-50mm

◀ 8301-1 AB ET

**MODEL NO. : 8721**

**MATERIAL:** Solid zinc alloy + Stainless steel 304/201

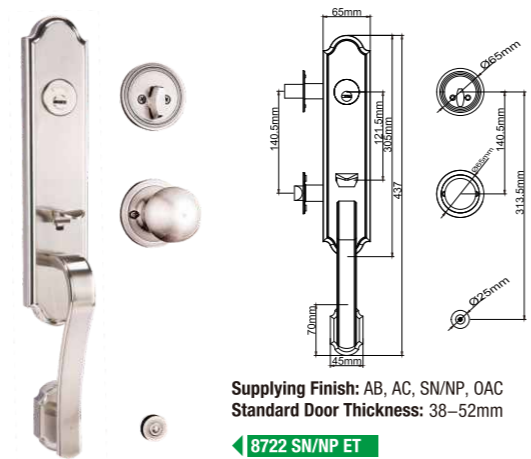


Supplying Finish: AB, AC, SN/NP, OAC  
Standard Door Thickness: 38-52mm

◀ 8721 SN/NP ET

**MODEL NO. : 8722**

**MATERIAL:** Solid zinc alloy + Stainless steel 304/201

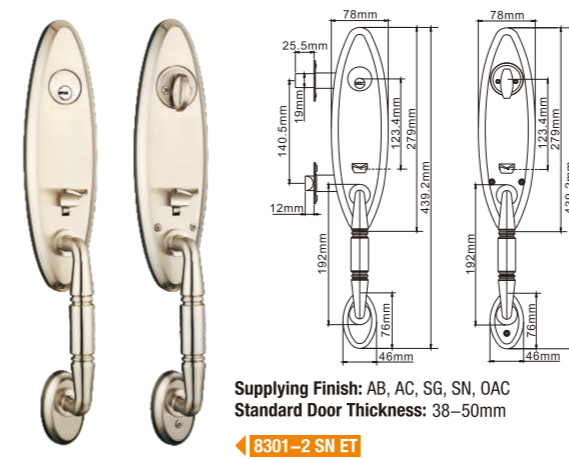


Supplying Finish: AB, AC, SN/NP, OAC  
Standard Door Thickness: 38-52mm

◀ 8722 SN/NP ET

**MODEL NO. : 8301-2**

**MATERIAL:** Solid zinc alloy + Stainless steel 304/201

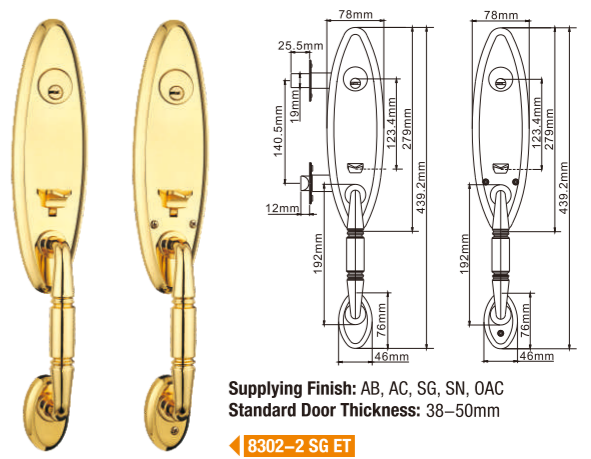


Supplying Finish: AB, AC, SG, SN, OAC  
Standard Door Thickness: 38-50mm

◀ 8301-2 SN ET

**MODEL NO. : 8302-2**

**MATERIAL:** Solid zinc alloy + Stainless steel 304/201



Supplying Finish: AB, AC, SG, SN, OAC  
Standard Door Thickness: 38-50mm

◀ 8302-2 SG ET



**8011** SN ET



**8011-B** SN ET



**8021** AB ET



**8031** AB ET



**8050** SN ET



**8050-B** SN ET



**8051** OAC ET



**8051-B** SN ET



**8053** SN ET



**8053-B** SN ET



**8055** SN ET



**8055-B** SN ET



**8056** SN ET



**8056-B** SN ET



**8061** AB ET



**8061-B** PB ET



**8063-B** AC ET



**8065-B** AB ET



**8081** SN ET



**8081-B** AC ET



**8091** AB ET



**8091-B** AC ET



**8092** AB ET



**8093** AC ET



**8303** PB ET



**8303-B** AB ET



**8305** AB ET



**8305-B** AB ET



**8307** AB ET



**8307-B** AC ET



**8309** AB ET



**8309-B** AC ET

# FULL INTRODUCTION OF SERIES 26

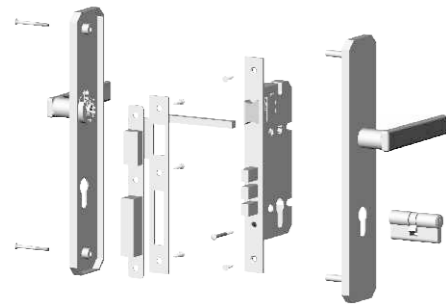
## MAIN SPECIFICATIONS

- Apply to all kinds of wooden doors and metal doors.
- Mortise type.
- 10 years mechanism warranty under correct installation and normal usage.
- Artistic design, high added-value.
- Abundant choices for trim and plating.
- Fire-proof qualified.
- Anti-cut bolt.
- Easily reversible for left and right handing.

## FIRE-PROOF CERTIFICATE



## ASSEMBLY ILLUSTRATION



## BOX DESIGN



## MORTISE LOCK CASE

### Stainless Steel 304 Version



- High quality imported EGI (electric galvanized) steel sheet for casing, thickness 1.2mm, firm and strong.
- Solid investment-casting stainless steel 304 for cam, strong and durable. Octagon design, fitting many kinds of spindles in different shapes, size 8×8 mm.
- Solid stainless steel 304 for bolts, two throws.
- Solid investment-casting stainless steel 304 for latch, easily reversible for left and right handing.
- Solid stainless steel for forend (thickness 3.0mm) and strike plate (thickness 1.2mm).

#### Optional Size

40×85mm  
45×85mm  
50×85mm  
60×85mm

#### Optional Size for European Standard

45×72mm  
55×72mm  
60×72mm

## BRASS VERSION

- High quality imported EGI (electric galvanized) steel sheet for casing, thickness 1.5mm, firm and strong.
- Solid brass for cam, strong and durable. Octagon design, fitting many kinds of spindles in different shapes, size 8×8 mm.
- Solid brass for bolts, both one-piece and three-piece bolt available for choices, two throws, hardened-steel rods inside, anti-cut, strong and high security.
- Solid brass for latch, strong and durable, easily reversible for left and right handing.
- Solid stainless steel or brass for forend (thickness 3.0mm) and strike plate (thickness 1.5mm).



With one-piece bolt

With three-piece bolt

## CYLINDER

### Single Cylinder(Key To Knob) Double Cylinder(Key To Key)



- High quality solid brass cylinder (Brass housing, plugs and pins).
- High class computer keyway technology, 7 pins, processed with high precise CNC machines, pin-combination is much more than international standard, high security.
- Each set with 5 pcs keys, all keys are made by solid brass, thickness 2.5mm.

### Supplying Size

60mm, 70mm, 80mm, 90mm, 100mm

### Specially Optional Function

Master Keying (Maximum 4 levels)  
Construction Key  
Anti-Drill

### Supplying Keyway

#### Standard



Computer

#### Customized Keyway



Dual Keyway  
(One Side Single-row-pin,  
One Side Track-cut-pin)



Double-row-pin



Yale



Kwikset



Schlage



Weiser

### H59 solid brass turn knob available

<p>Turn Knob No. No.1</p>	<p>Turn Knob No. No.2</p>	<p>Turn Knob No. No.3</p>
<p>Turn Knob No. No.4</p>	<p>Turn Knob No. No.5</p>	<p>Turn Knob No. No.6</p>
<p>Turn Knob No. No.8</p>	<p>Turn Knob No. No.9</p>	<p>Turn Knob No. No.10</p>

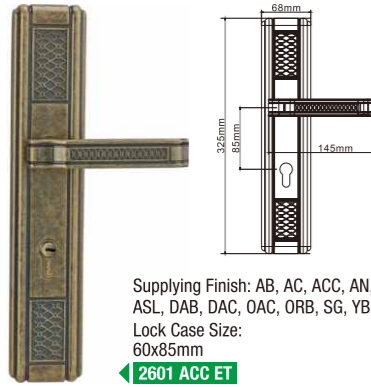
Notes: No.1 knob is standard, others are customized.

# 26 SERIES - MORTISE MECHANISM



## MODEL NO. : 2601

MATERIAL: Solid zinc alloy die-casting



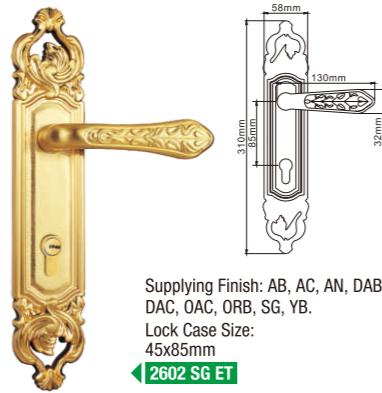
Supplying Finish: AB, AC, ACC, AN, ASL, DAB, DAC, OAC, ORB, SG, YB.

Lock Case Size: 60x85mm

◀ 2601 ACC ET

## MODEL NO. : 2602

MATERIAL: Solid zinc alloy die-casting



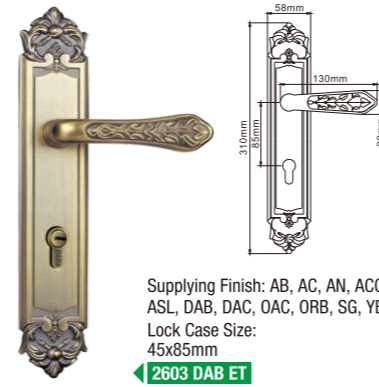
Supplying Finish: AB, AC, AN, DAB, DAC, OAC, ORB, SG, YB.

Lock Case Size: 45x85mm

◀ 2602 SG ET

## MODEL NO. : 2603

MATERIAL: Solid zinc alloy die-casting



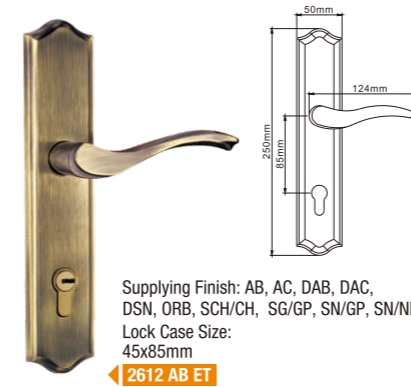
Supplying Finish: AB, AC, AN, ACC, ASL, DAB, DAC, OAC, ORB, SG, YB.

Lock Case Size: 45x85mm

◀ 2603 DAB ET

## MODEL NO. : 2612

MATERIAL: Solid zinc alloy die-casting



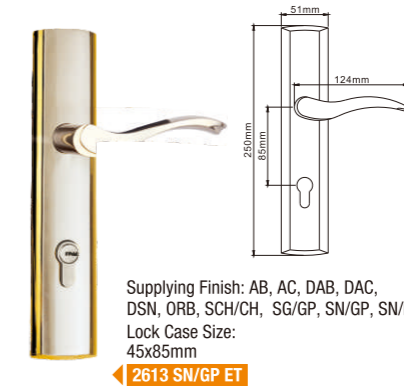
Supplying Finish: AB, AC, DAB, DAC, DSN, ORB, SCH/CH, SG/GP, SN/GP, SN/NP.

Lock Case Size: 45x85mm

◀ 2612 AB ET

## MODEL NO. : 2613

MATERIAL: Solid zinc alloy die-casting



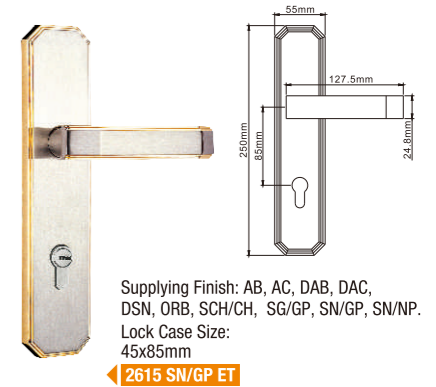
Supplying Finish: AB, AC, DAB, DAC, DSN, ORB, SCH/CH, SG/GP, SN/GP, SN/NP.

Lock Case Size: 45x85mm

◀ 2613 SN/GP ET

## MODEL NO. : 2615

MATERIAL: Solid zinc alloy die-casting



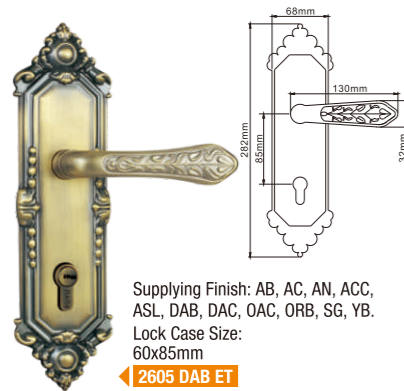
Supplying Finish: AB, AC, DAB, DAC, DSN, ORB, SCH/CH, SG/GP, SN/GP, SN/NP.

Lock Case Size: 45x85mm

◀ 2615 SN/GP ET

## MODEL NO. : 2605

MATERIAL: Solid zinc alloy die-casting



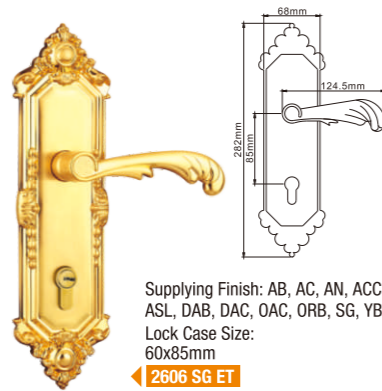
Supplying Finish: AB, AC, AN, ACC, ASL, DAB, DAC, OAC, ORB, SG, YB.

Lock Case Size: 60x85mm

◀ 2605 DAB ET

## MODEL NO. : 2606

MATERIAL: Solid zinc alloy die-casting



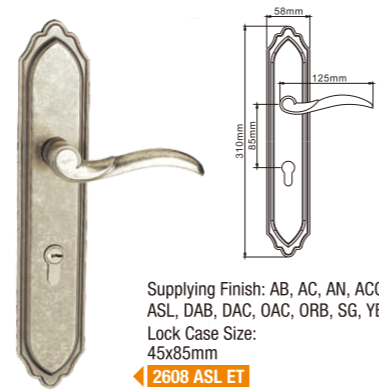
Supplying Finish: AB, AC, AN, ACC, ASL, DAB, DAC, OAC, ORB, SG, YB.

Lock Case Size: 60x85mm

◀ 2606 SG ET

## MODEL NO. : 2608

MATERIAL: Solid zinc alloy die-casting



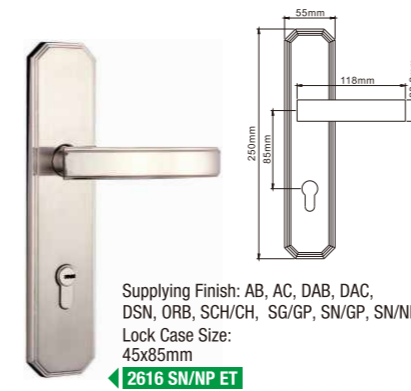
Supplying Finish: AB, AC, AN, ACC, ASL, DAB, DAC, OAC, ORB, SG, YB.

Lock Case Size: 45x85mm

◀ 2608 ASL ET

## MODEL NO. : 2616

MATERIAL: Solid zinc alloy die-casting



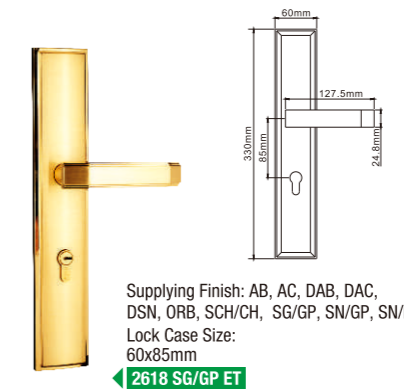
Supplying Finish: AB, AC, DAB, DAC, DSN, ORB, SCH/CH, SG/GP, SN/GP, SN/NP.

Lock Case Size: 45x85mm

◀ 2616 SN/NP ET

## MODEL NO. : 2618

MATERIAL: Solid zinc alloy die-casting



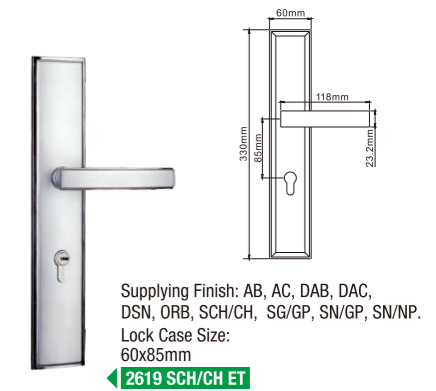
Supplying Finish: AB, AC, DAB, DAC, DSN, ORB, SCH/CH, SG/GP, SN/GP, SN/NP.

Lock Case Size: 60x85mm

◀ 2618 SG/GP ET

## MODEL NO. : 2619

MATERIAL: Solid zinc alloy die-casting



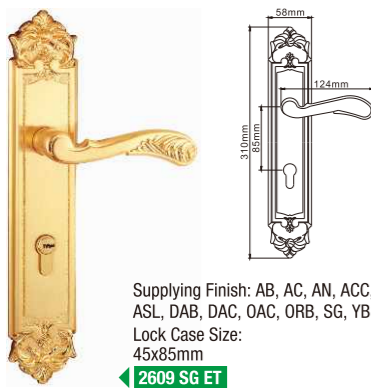
Supplying Finish: AB, AC, DAB, DAC, DSN, ORB, SCH/CH, SG/GP, SN/GP, SN/NP.

Lock Case Size: 60x85mm

◀ 2619 SCH/CH ET

## MODEL NO. : 2609

MATERIAL: Solid zinc alloy die-casting



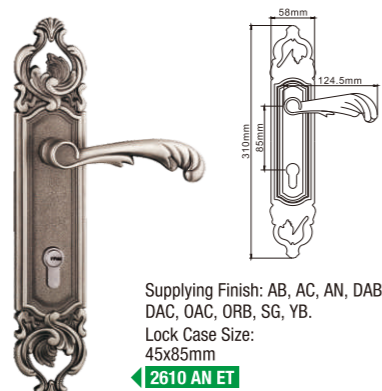
Supplying Finish: AB, AC, AN, ACC, ASL, DAB, DAC, OAC, ORB, SG, YB.

Lock Case Size: 45x85mm

◀ 2609 SG ET

## MODEL NO. : 2610

MATERIAL: Solid zinc alloy die-casting



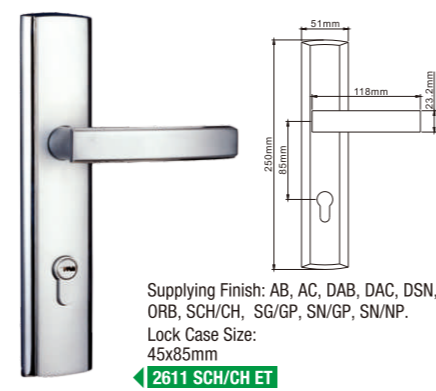
Supplying Finish: AB, AC, AN, DAB, DAC, OAC, ORB, SG, YB.

Lock Case Size: 45x85mm

◀ 2610 AN ET

## MODEL NO. : 2611

MATERIAL: Solid zinc alloy die-casting



Supplying Finish: AB, AC, DAB, DAC, DSN, ORB, SCH/CH, SG/GP, SN/GP, SN/NP.

Lock Case Size: 45x85mm

◀ 2611 SCH/CH ET

## MODEL NO. : 2620

MATERIAL: Solid zinc alloy die-casting



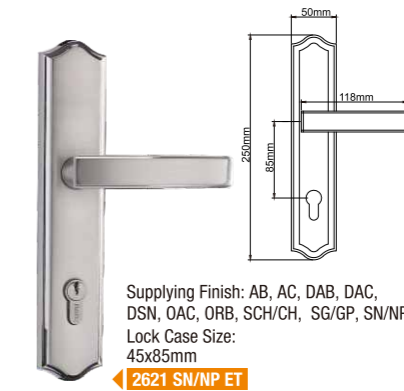
Supplying Finish: AB, AC, DAB, DAC, DSN, ORB, SCH/CH, SG/GP, SN/GP, SN/NP.

Lock Case Size: 60x85mm

◀ 2620 SN/GP ET

## MODEL NO. : 2621

MATERIAL: Solid zinc alloy die-casting



Supplying Finish: AB, AC, DAB, DAC, DSN, OAC, ORB, SCH/CH, SG/GP, SN/NP.

Lock Case Size: 45x85mm

◀ 2621 SN/NP ET

## MODEL NO. : 2622

MATERIAL: Solid zinc alloy die-casting



Supplying Finish: AB, AC, DAB, DAC, DSN, OAC, ORB, SCH/CH, SG/GP, SN/NP.

Lock Case Size: 45x85mm

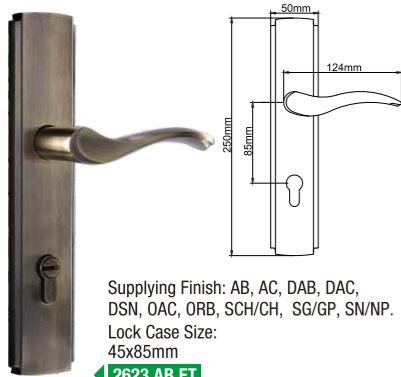
◀ 2622 SN/NP ET

# 26 SERIES - MORTISE MECHANISM



## MODEL NO. : 2623

MATERIAL: Solid zinc alloy die-casting



Supplying Finish: AB, AC, DAB, DAC, DSN, OAC, ORB, SCH/CH, SG/GP, SN/NP.  
Lock Case Size: 45x85mm

◀ 2623 AB ET

## MODEL NO. : 2628

MATERIAL: Solid zinc alloy die-casting

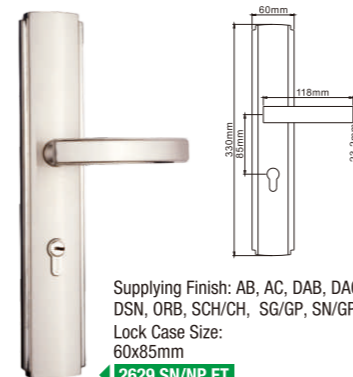


Supplying Finish: AB, AC, DAB, DAC, DSN, ORB, SCH/CH, SG/GP, SN/GP, SN/NP.  
Lock Case Size: 60x85mm

◀ 2628 SN/GP ET

## MODEL NO. : 2629

MATERIAL: Solid zinc alloy die-casting

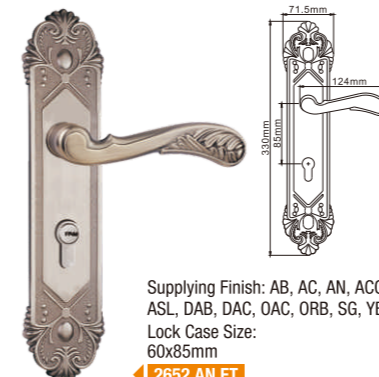


Supplying Finish: AB, AC, DAB, DAC, DSN, ORB, SCH/CH, SG/GP, SN/GP, SN/NP.  
Lock Case Size: 60x85mm

◀ 2629 SN/NP ET

## MODEL NO. : 2652

MATERIAL: Solid zinc alloy die-casting

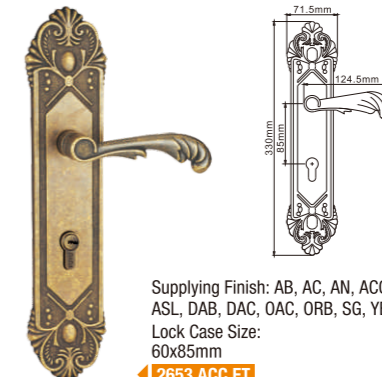


Supplying Finish: AB, AC, AN, ACC, ASL, DAB, DAC, OAC, ORB, SG, YB.  
Lock Case Size: 60x85mm

◀ 2652 AN ET

## MODEL NO. : 2653

MATERIAL: Solid zinc alloy die-casting

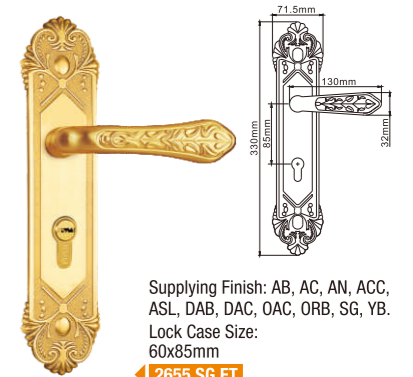


Supplying Finish: AB, AC, AN, ACC, ASL, DAB, DAC, OAC, ORB, SG, YB.  
Lock Case Size: 60x85mm

◀ 2653 ACC ET

## MODEL NO. : 2655

MATERIAL: Solid zinc alloy die-casting



Supplying Finish: AB, AC, AN, ACC, ASL, DAB, DAC, OAC, ORB, SG, YB.  
Lock Case Size: 60x85mm

◀ 2655 SG ET

## MODEL NO. : 2630

MATERIAL: Solid zinc alloy die-casting

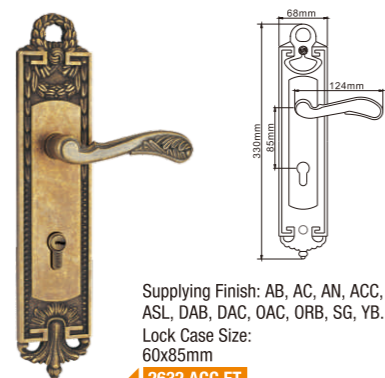


Supplying Finish: AB, AC, DAB, DAC, DSN, ORB, SCH/CH, SG/GP, SN/GP, SN/NP.  
Lock Case Size: 60x85mm

◀ 2630 SN/NP ET

## MODEL NO. : 2632

MATERIAL: Solid zinc alloy die-casting

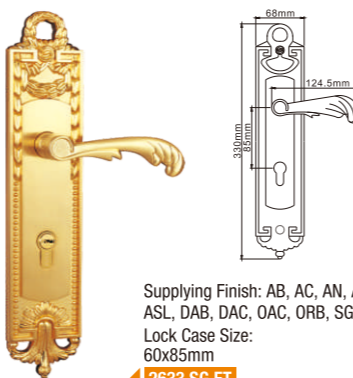


Supplying Finish: AB, AC, AN, ACC, ASL, DAB, DAC, OAC, ORB, SG, YB.  
Lock Case Size: 60x85mm

◀ 2632 ACC ET

## MODEL NO. : 2633

MATERIAL: Solid zinc alloy die-casting

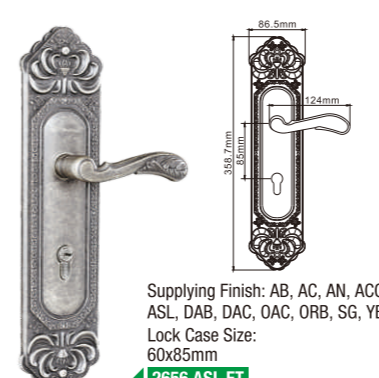


Supplying Finish: AB, AC, AN, ACC, ASL, DAB, DAC, OAC, ORB, SG, YB.  
Lock Case Size: 60x85mm

◀ 2633 SG ET

## MODEL NO. : 2656

MATERIAL: Solid zinc alloy die-casting

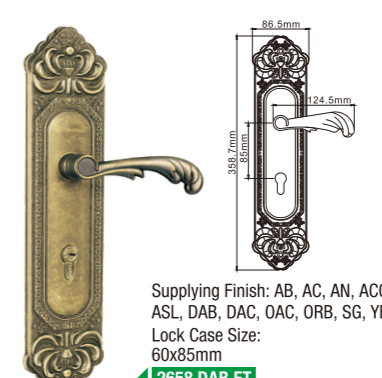


Supplying Finish: AB, AC, AN, ACC, ASL, DAB, DAC, OAC, ORB, SG, YB.  
Lock Case Size: 60x85mm

◀ 2656 ASL ET

## MODEL NO. : 2658

MATERIAL: Solid zinc alloy die-casting

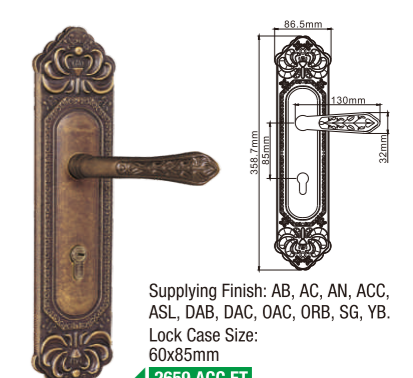


Supplying Finish: AB, AC, AN, ACC, ASL, DAB, DAC, OAC, ORB, SG, YB.  
Lock Case Size: 60x85mm

◀ 2658 DAB ET

## MODEL NO. : 2659

MATERIAL: Solid zinc alloy die-casting

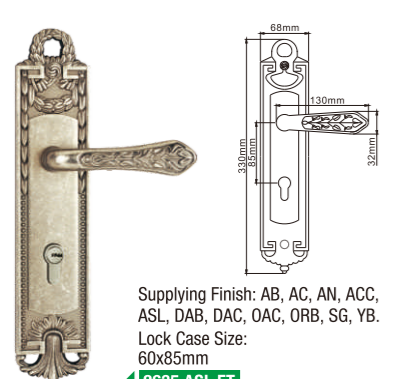


Supplying Finish: AB, AC, AN, ACC, ASL, DAB, DAC, OAC, ORB, SG, YB.  
Lock Case Size: 60x85mm

◀ 2659 ACC ET

## MODEL NO. : 2635

MATERIAL: Solid zinc alloy die-casting

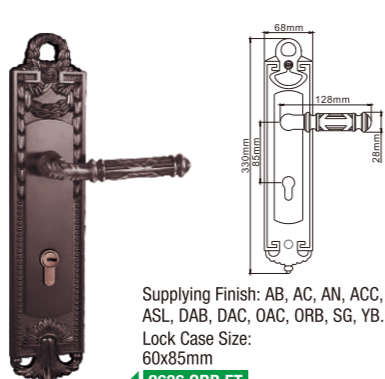


Supplying Finish: AB, AC, AN, ACC, ASL, DAB, DAC, OAC, ORB, SG, YB.  
Lock Case Size: 60x85mm

◀ 2635 ASL ET

## MODEL NO. : 2636

MATERIAL: Solid zinc alloy die-casting



Supplying Finish: AB, AC, AN, ACC, ASL, DAB, DAC, OAC, ORB, SG, YB.  
Lock Case Size: 60x85mm

◀ 2636 ORB ET

## MODEL NO. : 2638

MATERIAL: Solid zinc alloy die-casting

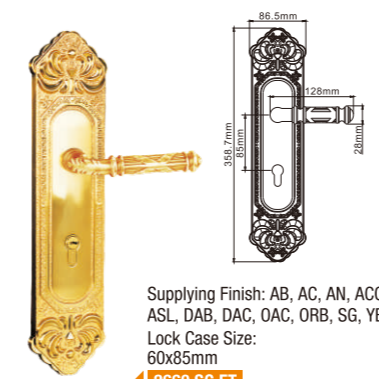


Supplying Finish: AB, AC, DAB, DAC, DSN, ORB, SCH/CH, SG/GP, SN/GP, SN/NP.  
Lock Case Size: 60x85mm

◀ 2638 SN/NP ET

## MODEL NO. : 2660

MATERIAL: Solid zinc alloy die-casting

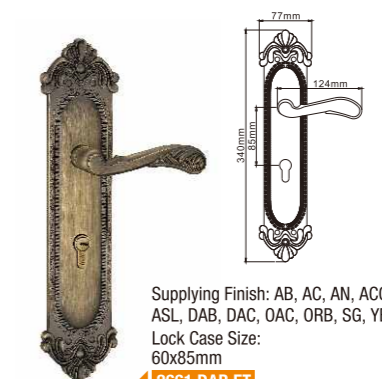


Supplying Finish: AB, AC, AN, ACC, ASL, DAB, DAC, OAC, ORB, SG, YB.  
Lock Case Size: 60x85mm

◀ 2660 SG ET

## MODEL NO. : 2661

MATERIAL: Solid zinc alloy die-casting

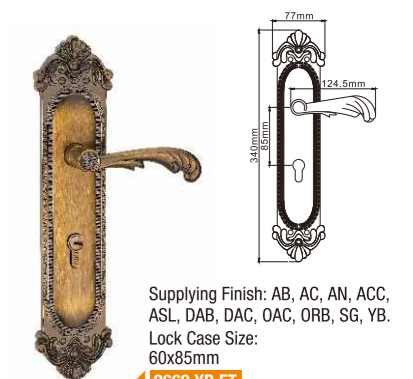


Supplying Finish: AB, AC, AN, ACC, ASL, DAB, DAC, OAC, ORB, SG, YB.  
Lock Case Size: 60x85mm

◀ 2661 DAB ET

## MODEL NO. : 2662

MATERIAL: Solid zinc alloy die-casting



Supplying Finish: AB, AC, AN, ACC, ASL, DAB, DAC, OAC, ORB, SG, YB.  
Lock Case Size: 60x85mm

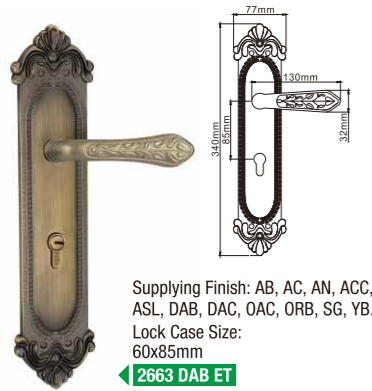
◀ 2662 YB ET

# 26 SERIES - MORTISE MECHANISM



## MODEL NO. : 2663

MATERIAL: Solid zinc alloy die-casting

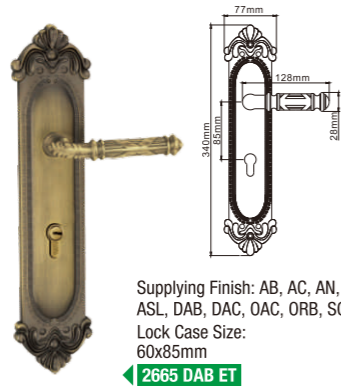


Supplying Finish: AB, AC, AN, ACC, ASL, DAB, DAC, OAC, ORB, SG, YB.  
Lock Case Size: 60x85mm

◀ 2663 DAB ET

## MODEL NO. : 2665

MATERIAL: Solid zinc alloy die-casting



Supplying Finish: AB, AC, AN, ACC, ASL, DAB, DAC, OAC, ORB, SG, YB.  
Lock Case Size: 60x85mm

◀ 2665 DAB ET

## MODEL NO. : 2666

MATERIAL: Solid zinc alloy die-casting

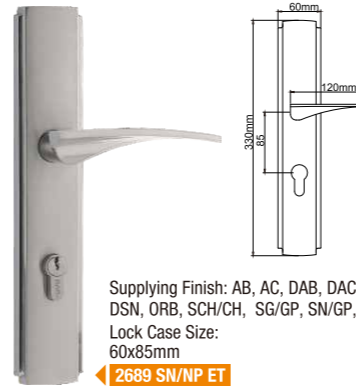


Supplying Finish: AB, AC, AN, ACC, ASL, DAB, DAC, OAC, ORB, SG, YB.  
Lock Case Size: 60x85mm

◀ 2666 YB ET

## MODEL NO. : 2689

MATERIAL: Solid zinc alloy die-casting

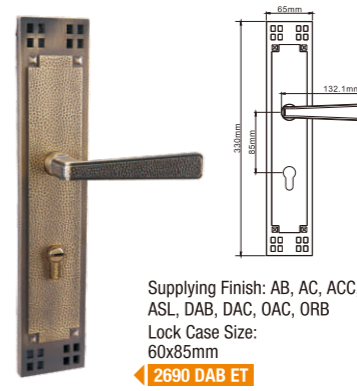


Supplying Finish: AB, AC, DAB, DAC, DSN, ORB, SCH/CH, SG/GP, SN/GP, SN/NP.  
Lock Case Size: 60x85mm

◀ 2689 SN/NP ET

## MODEL NO. : 2690

MATERIAL: Solid zinc alloy die-casting

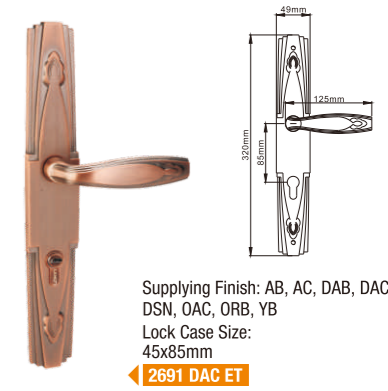


Supplying Finish: AB, AC, ACC, ASL, DAB, DAC, OAC, ORB  
Lock Case Size: 60x85mm

◀ 2690 DAB ET

## MODEL NO. : 2691

MATERIAL: Solid zinc alloy die-casting

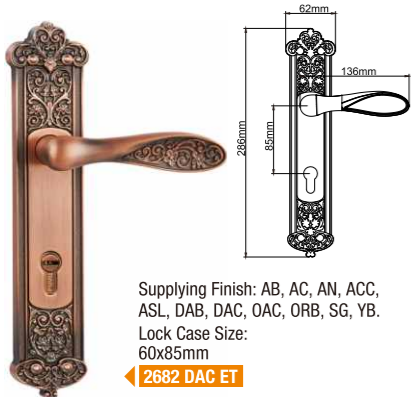


Supplying Finish: AB, AC, DAB, DAC, DSN, OAC, ORB, YB  
Lock Case Size: 45x85mm

◀ 2691 DAC ET

## MODEL NO. : 2682

MATERIAL: Solid zinc alloy die-casting

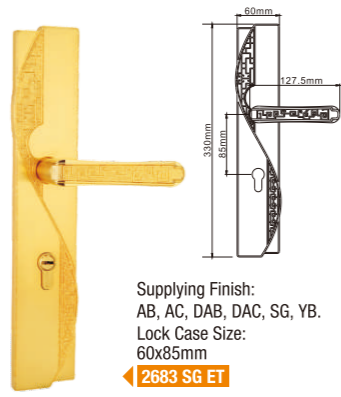


Supplying Finish: AB, AC, AN, ACC, ASL, DAB, DAC, OAC, ORB, SG, YB.  
Lock Case Size: 60x85mm

◀ 2682 DAC ET

## MODEL NO. : 2683

MATERIAL: Solid zinc alloy die-casting

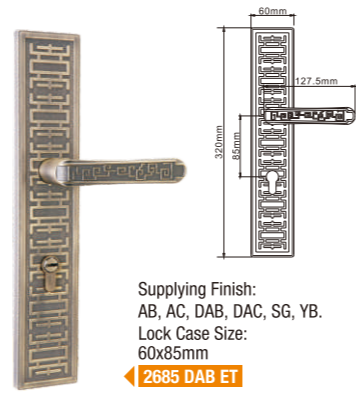


Supplying Finish: AB, AC, DAB, DAC, SG, YB.  
Lock Case Size: 60x85mm

◀ 2683 SG ET

## MODEL NO. : 2685

MATERIAL: Solid zinc alloy die-casting



Supplying Finish: AB, AC, DAB, DAC, SG, YB.  
Lock Case Size: 60x85mm

◀ 2685 DAB ET

## MODEL NO. : 2692

MATERIAL: Solid zinc alloy die-casting

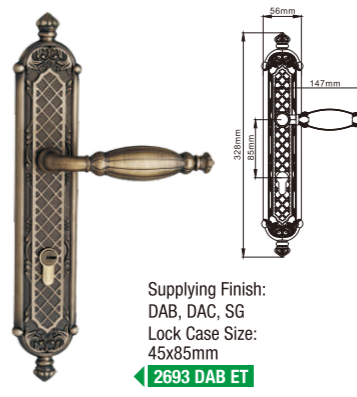


Supplying Finish: DAB, DAC, DSN  
Lock Case Size: 60x85mm

◀ 2692 DSN ET

## MODEL NO. : 2693

MATERIAL: Solid zinc alloy die-casting

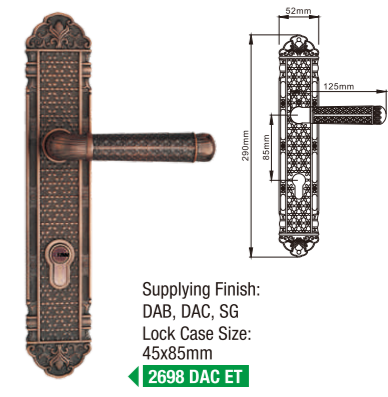


Supplying Finish: DAB, DAC, SG  
Lock Case Size: 45x85mm

◀ 2693 DAB ET

## MODEL NO. : 2698

MATERIAL: Solid zinc alloy die-casting

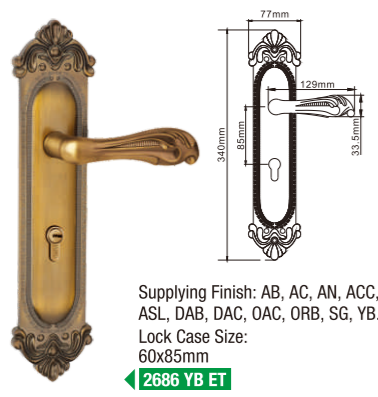


Supplying Finish: DAB, DAC, SG  
Lock Case Size: 45x85mm

◀ 2698 DAC ET

## MODEL NO. : 2686

MATERIAL: Solid zinc alloy die-casting

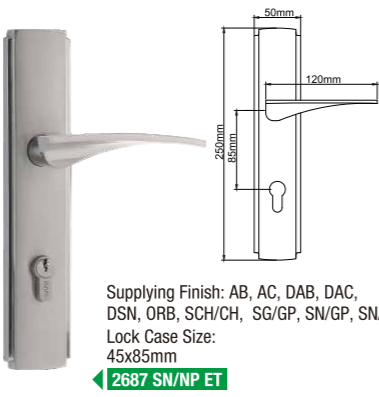


Supplying Finish: AB, AC, AN, ACC, ASL, DAB, DAC, OAC, ORB, SG, YB.  
Lock Case Size: 60x85mm

◀ 2686 YB ET

## MODEL NO. : 2687

MATERIAL: Solid zinc alloy die-casting

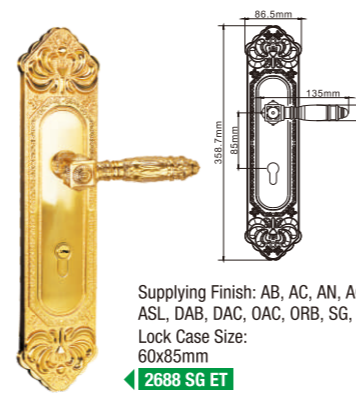


Supplying Finish: AB, AC, DAB, DAC, DSN, ORB, SCH/CH, SG/GP, SN/GP, SN/NP.  
Lock Case Size: 45x85mm

◀ 2687 SN/NP ET

## MODEL NO. : 2688

MATERIAL: Solid zinc alloy die-casting



Supplying Finish: AB, AC, AN, ACC, ASL, DAB, DAC, OAC, ORB, SG, YB.  
Lock Case Size: 60x85mm

◀ 2688 SG ET

## MODEL NO. : 2699

MATERIAL: Solid zinc alloy die-casting

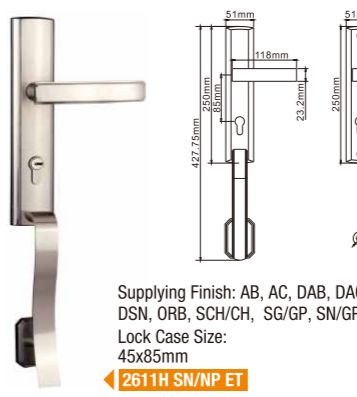


Supplying Finish: AB, AC, AN, DAB, DAC, OAC, ORB, SG, YB.  
Lock Case Size: 60x85mm

◀ 2699 SG ET

## MODEL NO. : 2611H

MATERIAL: Solid zinc alloy die-casting

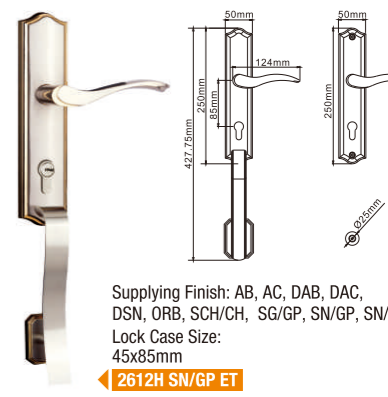


Supplying Finish: AB, AC, DAB, DAC, DSN, ORB, SCH/CH, SG/GP, SN/GP, SN/NP.  
Lock Case Size: 45x85mm

◀ 2611H SN/NP ET

## MODEL NO. : 2612H

MATERIAL: Solid zinc alloy die-casting



Supplying Finish: AB, AC, DAB, DAC, DSN, ORB, SCH/CH, SG/GP, SN/GP, SN/NP.  
Lock Case Size: 45x85mm

◀ 2612H SN/GP ET

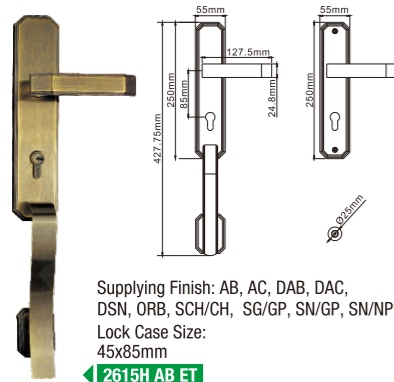


# 26 SERIES - MORTISE MECHANISM



## MODEL NO. : 2615H

MATERIAL: Solid zinc alloy die-casting

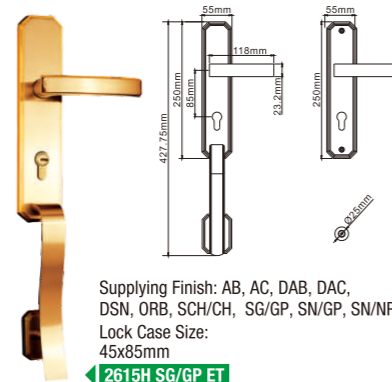


Supplying Finish: AB, AC, DAB, DAC, DSN, ORB, SCH/CH, SG/GP, SN/GP, SN/NP.  
Lock Case Size: 45x85mm

◀ 2615H AB ET

## MODEL NO. : 2616H

MATERIAL: Solid zinc alloy die-casting

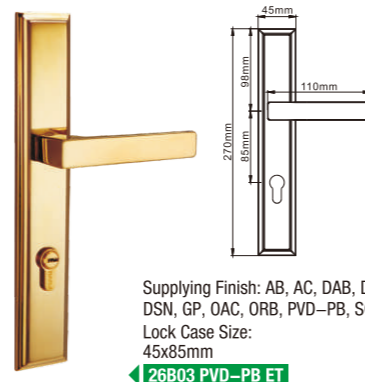


Supplying Finish: AB, AC, DAB, DAC, DSN, ORB, SCH/CH, SG/GP, SN/GP, SN/NP.  
Lock Case Size: 45x85mm

◀ 2616H SG/GP ET

## MODEL NO. : 26B03

MATERIAL: Solid forged brass



Supplying Finish: AB, AC, DAB, DAC, DSN, GP, OAC, ORB, PVD-PB, SG, SN.  
Lock Case Size: 45x85mm

◀ 26B03 PVD-PB ET

## MODEL NO. : 26B22

MATERIAL: Solid forged brass

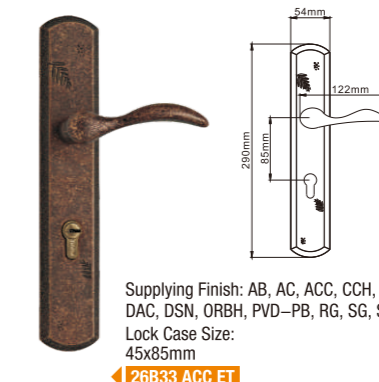


Supplying Finish: AB, AC, ACC, CCH, DAB, DAC, ORBH, PVD-PB, RG, SG.  
Lock Case Size: 45x85mm

◀ 26B22 RG ET

## MODEL NO. : 26B33

MATERIAL: Solid forged brass

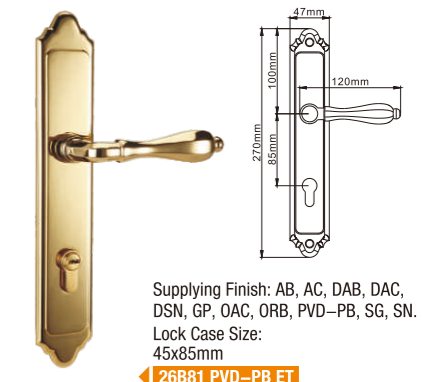


Supplying Finish: AB, AC, ACC, CCH, DAB, DAC, DSN, ORBH, PVD-PB, RG, SG, SN.  
Lock Case Size: 45x85mm

◀ 26B33 ACC ET

## MODEL NO. : 26B81

MATERIAL: Solid forged brass

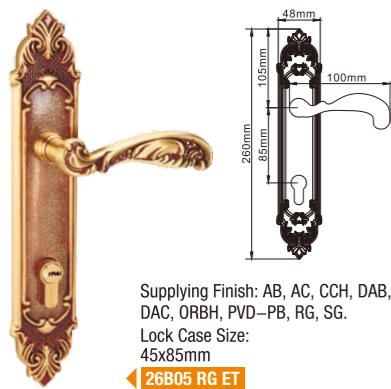


Supplying Finish: AB, AC, DAB, DAC, DSN, GP, OAC, ORB, PVD-PB, SG, SN.  
Lock Case Size: 45x85mm

◀ 26B81 PVD-PB ET

## MODEL NO. : 26B05

MATERIAL: Solid forged brass



Supplying Finish: AB, AC, CCH, DAB, DAC, ORBH, PVD-PB, RG, SG.  
Lock Case Size: 45x85mm

◀ 26B05 RG ET

## MODEL NO. : 26B06

MATERIAL: Solid forged brass

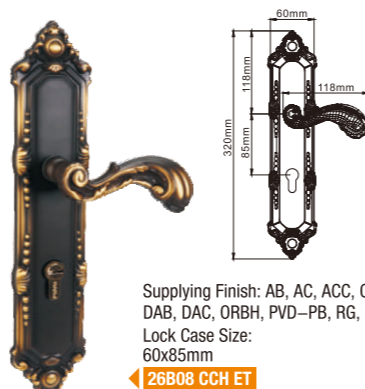


Supplying Finish: AB, AC, CCH, DAB, DAC, ORBH, PVD-PB, RG, SG.  
Lock Case Size: 45x85mm

◀ 26B06 DAB ET

## MODEL NO. : 26B08

MATERIAL: Solid forged brass

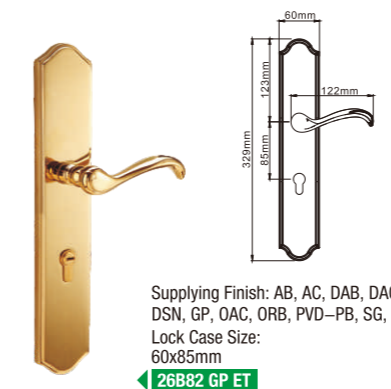


Supplying Finish: AB, AC, ACC, CCH, DAB, DAC, ORBH, PVD-PB, RG, SG.  
Lock Case Size: 60x85mm

◀ 26B08 CCH ET

## MODEL NO. : 26B82

MATERIAL: Solid forged brass

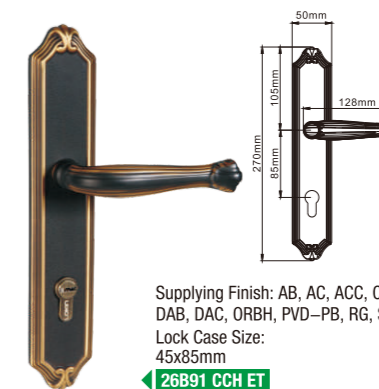


Supplying Finish: AB, AC, DAB, DAC, DSN, GP, OAC, ORB, PVD-PB, SG, SN.  
Lock Case Size: 60x85mm

◀ 26B82 GP ET

## MODEL NO. : 26B91

MATERIAL: Solid forged brass

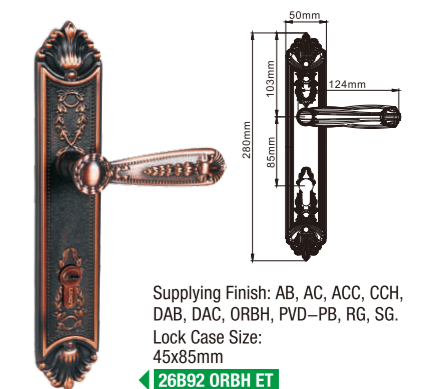


Supplying Finish: AB, AC, ACC, CCH, DAB, DAC, ORBH, PVD-PB, RG, SG.  
Lock Case Size: 45x85mm

◀ 26B91 CCH ET

## MODEL NO. : 26B92

MATERIAL: Solid forged brass



Supplying Finish: AB, AC, ACC, CCH, DAB, DAC, ORBH, PVD-PB, RG, SG.  
Lock Case Size: 45x85mm

◀ 26B92 ORBH ET

## MODEL NO. : 26B09

MATERIAL: Solid forged brass

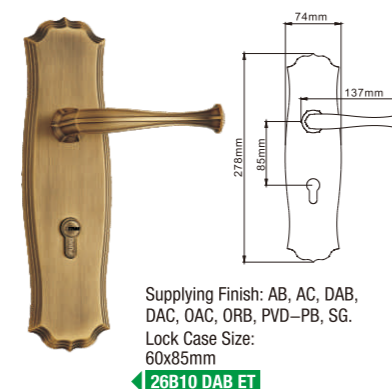


Supplying Finish: AB, AC, ACC, CCH, DAB, DAC, ORBH, PVD-PB, RG, SG.  
Lock Case Size: 45x85mm

◀ 26B09 ORBH ET

## MODEL NO. : 26B10

MATERIAL: Solid forged brass

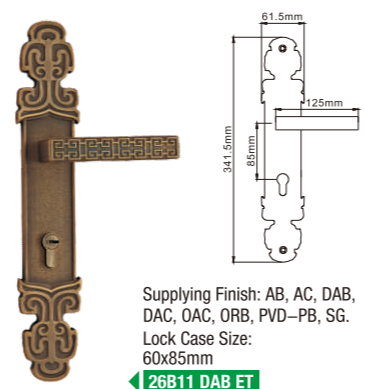


Supplying Finish: AB, AC, DAB, DAC, OAC, ORB, PVD-PB, SG.  
Lock Case Size: 60x85mm

◀ 26B10 DAB ET

## MODEL NO. : 26B11

MATERIAL: Solid forged brass



Supplying Finish: AB, AC, DAB, DAC, OAC, ORB, PVD-PB, SG.  
Lock Case Size: 60x85mm

◀ 26B11 DAB ET

## MODEL NO. : 26B93

MATERIAL: Solid forged brass



Supplying Finish: AB, AC, ACC, CCH, DAB, DAC, ORBH, PVD-PB, RG, SG.  
Lock Case Size: 45x85mm

◀ 26B93 CCH ET

## MODEL NO. : 26B95

MATERIAL: Solid forged brass

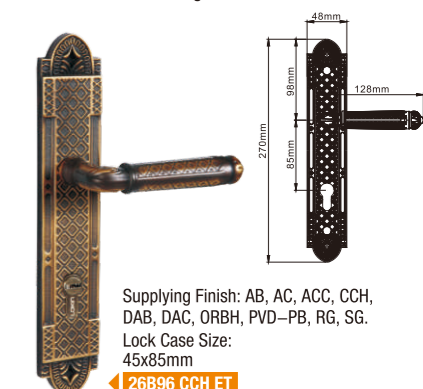


Supplying Finish: AB, AC, ACC, CCH, DAB, DAC, ORBH, PVD-PB, RG, SG.  
Lock Case Size: 45x85mm

◀ 26B95 ORBH ET

## MODEL NO. : 26B96

MATERIAL: Solid forged brass



Supplying Finish: AB, AC, ACC, CCH, DAB, DAC, ORBH, PVD-PB, RG, SG.  
Lock Case Size: 45x85mm

◀ 26B96 CCH ET



## MODEL NO. : 26B98

MATERIAL: Solid forged brass

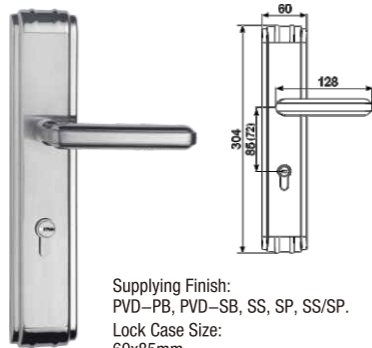


Supplying Finish: AB, AC, ACC, CCH, DAB, DAC, ORBH, PVD-PB, RG, SG.  
Lock Case Size: 45x85mm

◀ 26B98 ORBH ET

## MODEL NO. : 26ST01

MATERIAL: Stamping stainless steel 304

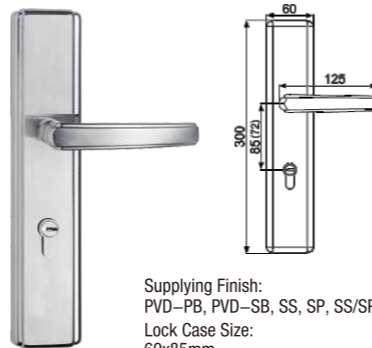


Supplying Finish: PVD-PB, PVD-SB, SS, SP, SS/SP.  
Lock Case Size: 60x85mm

◀ 26ST01 SS/SP ET

## MODEL NO. : 26ST02

MATERIAL: Stamping stainless steel 304

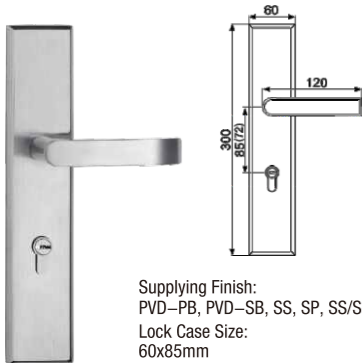


Supplying Finish: PVD-PB, PVD-SB, SS, SP, SS/SP.  
Lock Case Size: 60x85mm

◀ 26ST02 SS/SP ET

## MODEL NO. : 26ST03

MATERIAL: Stamping stainless steel 304

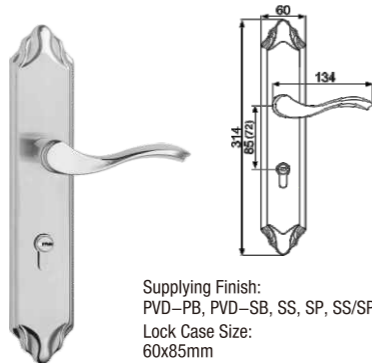


Supplying Finish: PVD-PB, PVD-SB, SS, SP, SS/SP.  
Lock Case Size: 60x85mm

◀ 26ST03 SS ET

## MODEL NO. : 26ST05

MATERIAL: Stamping stainless steel 304

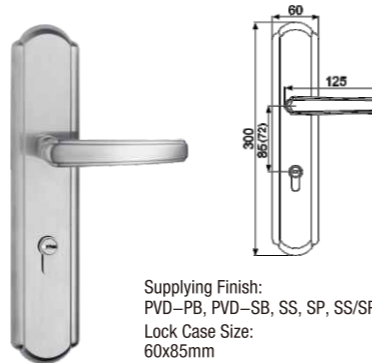


Supplying Finish: PVD-PB, PVD-SB, SS, SP, SS/SP.  
Lock Case Size: 60x85mm

◀ 26ST05 SS/SP ET

## MODEL NO. : 26ST06

MATERIAL: Stamping stainless steel 304

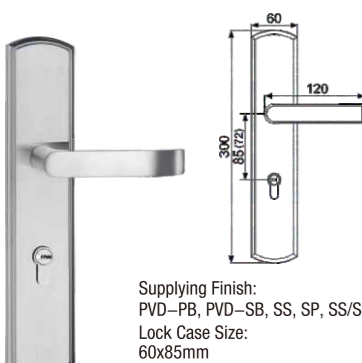


Supplying Finish: PVD-PB, PVD-SB, SS, SP, SS/SP.  
Lock Case Size: 60x85mm

◀ 26ST06 SS/SP ET

## MODEL NO. : 26ST07

MATERIAL: Stamping stainless steel 304



Supplying Finish: PVD-PB, PVD-SB, SS, SP, SS/SP.  
Lock Case Size: 60x85mm

◀ 26ST07 SS/SP ET

# FULL INTRODUCTION OF SERIES 22

## MAIN SPECIFICATIONS

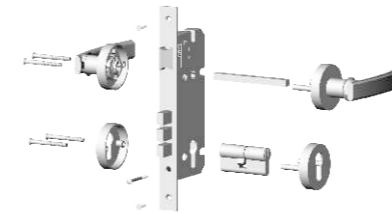
- Apply to all kinds of wooden doors and metal doors.
- Mortise type.
- 10 years mechanism warranty under correct installation and normal usage.
- Artistic design, high added-value.
- Abundant choices for trim and plating.
- Anti-cut bolt.
- Easily reversible for left and right handing.

## BOX DESIGN



## ENTRANCE FUNCTION

### ASSEMBLY ILLUSTRATION



### Supplying Size

60mm, 70mm,  
80mm, 90mm, 100mm

### Specially Optional Function

Master Keying(Maximum 4 levels)  
Construction Key  
Anti-Drill

### Supplying Keyway

#### Standard

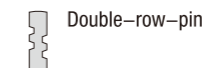


Computer

#### Customized



Dual Keyway  
(One Side Single-row-pin,  
One Side Track-cut-pin)



Double-row-pin



Yale



Kwikset



Schlage



Weiser

### CYLINDER

#### Single Cylinder(Key To Knob)



#### Double Cylinder(Key To Key)



- High quality solid brass cylinder(Brass housing, plugs and pins).
- High class computer keyway technology, 7 pins, processed with high precise CNC machines, pin-combination is much more than international standard, high security.
- Each set with 5 pcs keys, all keys are made by solid brass, thickness 2.5mm.

### MORTISE LOCK CASE

#### Stainless Steel 304 Version



- High quality imported EGI (electric galvanized) steel sheet for casing, thickness 1.2mm, firm and strong.
- Solid investment-casting stainless steel 304 for cam, strong and durable. Octagon design, fitting many kinds of spindles in different shapes, size 8x8 mm.
- Solid stainless steel 304 for bolts, two throws.
- Solid investment-casting stainless steel 304 for latch, easily reversible for left and right handing.
- Solid stainless steel for forend (thickness 3.0mm) and strike plate (thickness 1.2mm).

#### Optional Size

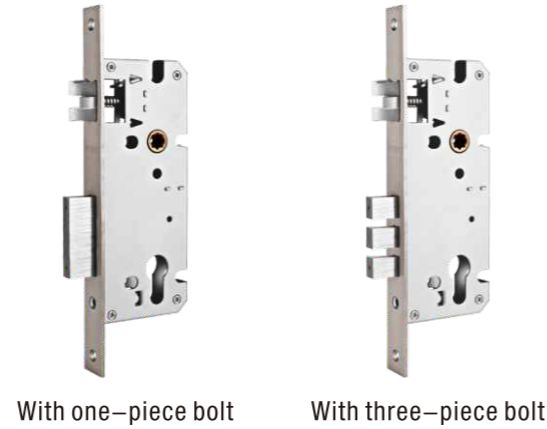
40x85mm 45x85mm  
50x85mm 60x85mm

#### Optional Size for European Standard

45x72mm 55x72mm 60x72mm

## BRASS VERSION

- High quality imported EGI (electric galvanized) steel sheet for casing, thickness 1.5mm, firm and strong.
- Solid brass for cam, strong and durable. Octagon design, fitting many kinds of spindles in different shapes, size 8×8 mm.
- Solid brass for bolts, both one-piece and three-piece bolt available for choices, two throws, hardened-steel rods inside, anti-cut, strong and high security.
- Solid brass for latch, strong and durable, easily reversible for left and right handing.
- Solid stainless steel or brass for forend (thickness 3.0mm) and strike plate (thickness 1.5mm).

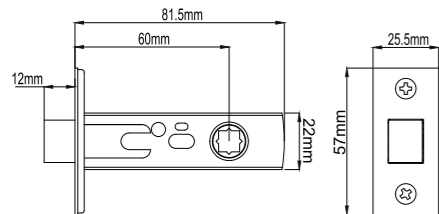


## BATHROOM (PRIVACY) AND PASSAGE FUNCTION

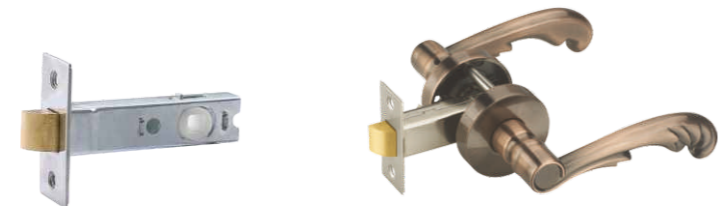
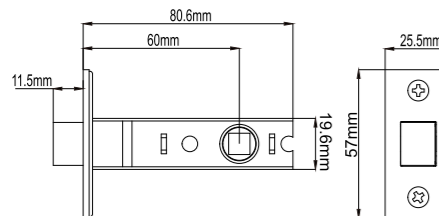
### ASSEMBLY ILLUSTRATION



### LATCH OF BATHROOM (PRIVACY) FUNCTION



### LATCH OF PASSAGE FUNCTION



- Solid brass for latch tongue.
- High quality steel for casing, precise mechanism inside, works stably.
- Bathroom (privacy) latch with a locking rod.
- Solid stainless steel for forend and strike plate.

#### Backset

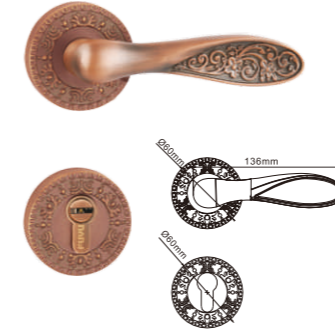
Standard: 60mm(2<sup>3</sup>/<sub>8</sub>"")

Customized: 70mm(2<sup>3</sup>/<sub>4</sub>"")

Notes: Backset is fixed and unadjustable for stable working purpose.

### MODEL NO. : 2208

MATERIAL: Solid zinc alloy die-casting

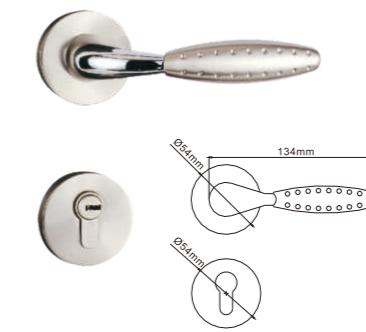


#### 2208 DAC ET

Supplying Finish: AB, AC, ACC, AN, ASL, DAB, DAC, OAC, ORB, SG, YB.  
Lock Case Size: 45x85mm

### MODEL NO. : 2211

MATERIAL: Solid zinc alloy die-casting



#### 2211 SN/NP ET

Supplying Finish: AB, AC, SCH/CH, SG/GP, SN/NP.  
Lock Case Size: 45x85mm

### MODEL NO. : 2212

MATERIAL: Solid zinc alloy die-casting

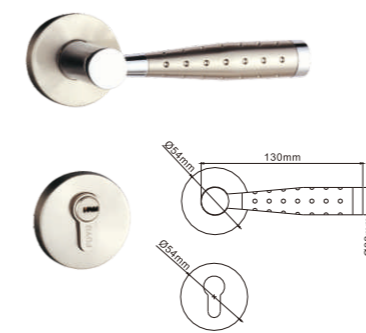


#### 2212 SG/GP ET

Supplying Finish: AB, AC, SCH/CH, SG/GP, SN/NP.  
Lock Case Size: 45x85mm

### MODEL NO. : 2213

MATERIAL: Solid zinc alloy die-casting

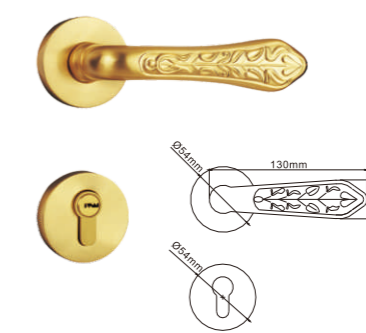


#### 2213 SN/NP ET

Supplying Finish: AB, AC, SCH/CH, SG/GP, SN/NP.  
Lock Case Size: 45x85mm

### MODEL NO. : 2215

MATERIAL: Solid zinc alloy die-casting

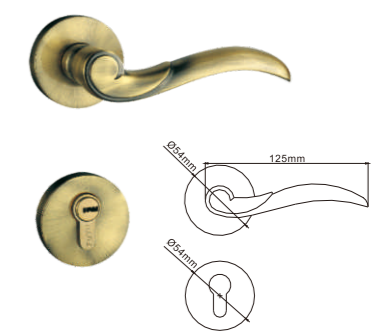


#### 2215 SG ET

Supplying Finish: AB, AC, ACC, AN, ASL, DAB, DAC, OAC, ORB, SG, YB.  
Lock Case Size: 45x85mm

### MODEL NO. : 2216

MATERIAL: Solid zinc alloy die-casting

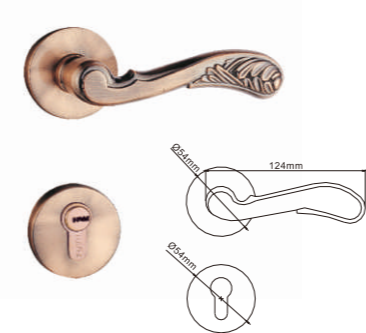


#### 2216 AB ET

Supplying Finish: AB, AC, ACC, AN, ASL, DAB, DAC, OAC, ORB, SG, YB.  
Lock Case Size: 45x85mm

### MODEL NO. : 2218

MATERIAL: Solid zinc alloy die-casting

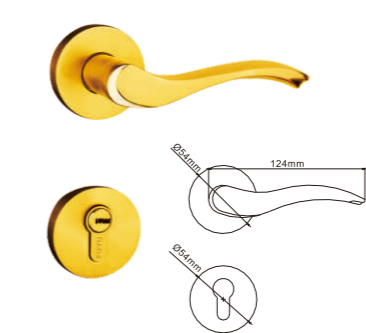


#### 2218 AC ET

Supplying Finish: AB, AC, ACC, AN, ASL, DAB, DAC, OAC, ORB, SG, YB.  
Lock Case Size: 45x85mm

### MODEL NO. : 2219

MATERIAL: Solid zinc alloy die-casting

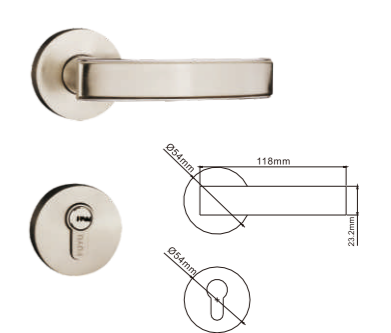


#### 2219 SG/GP ET

Supplying Finish: AB, AC, DAB, DAC, DSN, OAC, ORB, SCH/CH, SG/GP, SN/NP.  
Lock Case Size: 45x85mm

### MODEL NO. : 2220

MATERIAL: Solid zinc alloy die-casting



#### 2220 SN/NP ET

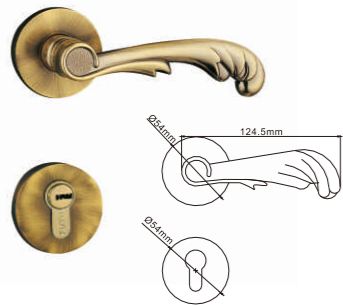
Supplying Finish: AB, AC, DAB, DAC, DSN, OAC, ORB, SCH/CH, SG/GP, SN/NP.  
Lock Case Size: 45x85mm

# 22 SERIES - MORTISE MECHANISM



## MODEL NO. : 2221

MATERIAL: Solid zinc alloy die-casting



### 2221 AB ET

Supplying Finish: AB, AC, ACC, AN, ASL, DAB, DAC, OAC, ORB, SG, YB.  
Lock Case Size: 45x85mm

## MODEL NO. : 2222

MATERIAL: Solid zinc alloy die-casting

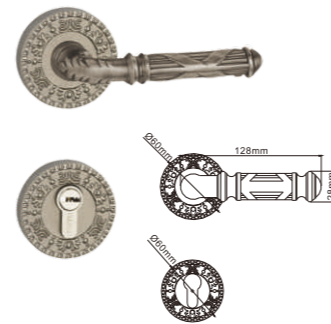


### 2222 YB ET

Supplying Finish: AB, AC, ACC, AN, ASL, DAB, DAC, OAC, ORB, SG, YB.  
Lock Case Size: 45x85mm

## MODEL NO. : 2223

MATERIAL: Solid zinc alloy die-casting

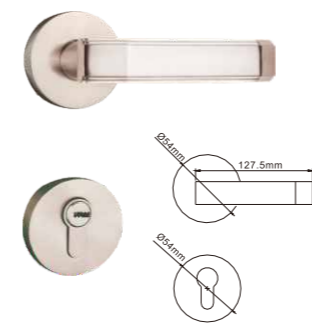


### 2223 ASL ET

Supplying Finish: AB, AC, ACC, AN, ASL, DAB, DAC, OAC, ORB, SG, YB.  
Lock Case Size: 45x85mm

## MODEL NO. : 2232

MATERIAL: Solid zinc alloy die-casting

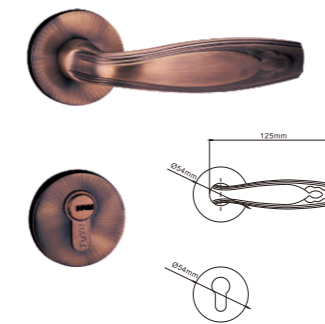


### 2232 SN/NP ET

Supplying Finish: AB, AC, DAB, DAC, DSN, OAC, ORB, SCH/CH, SG/GP, SN/NP.  
Lock Case Size: 45x85mm

## MODEL NO. : 2233

MATERIAL: Solid zinc alloy die-casting

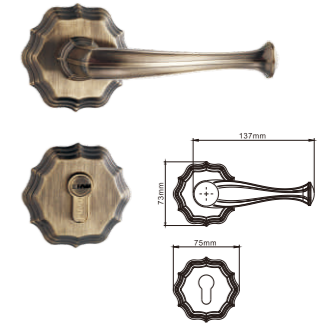


### 2233 DAC ET

Supplying Finish: AB, AC, DAB, DAC, DSN, OAC, ORB, SG, SN.  
Lock Case Size: 45x85mm

## MODEL NO. : 2235

MATERIAL: Solid zinc alloy die-casting

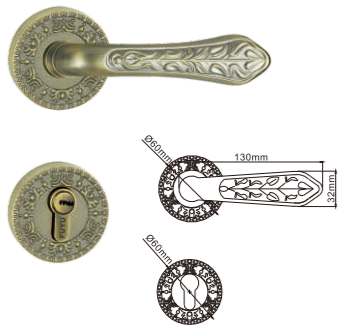


### 2235 DAB ET

Supplying Finish: AB, AC, DAB, DAC, DSN, OAC, ORB, SG, SN.  
Lock Case Size: 60x85mm

## MODEL NO. : 2225

MATERIAL: Solid zinc alloy die-casting

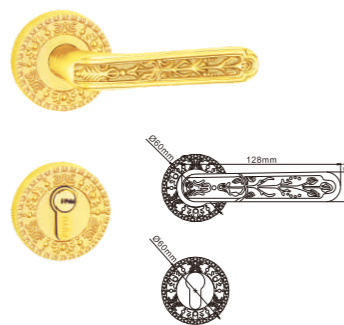


### 2225 DAB ET

Supplying Finish: AB, AC, ACC, AN, ASL, DAB, DAC, OAC, ORB, SG, YB.  
Lock Case Size: 45x85mm

## MODEL NO. : 2226

MATERIAL: Solid zinc alloy die-casting

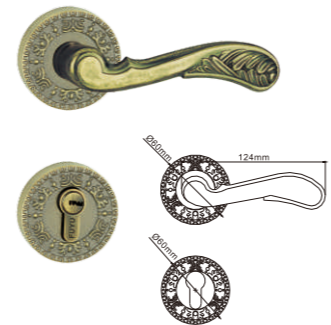


### 2226 SG ET

Supplying Finish: AB, AC, ACC, AN, ASL, DAB, DAC, OAC, ORB, SG, YB.  
Lock Case Size: 45x85mm

## MODEL NO. : 2228

MATERIAL: Solid zinc alloy die-casting

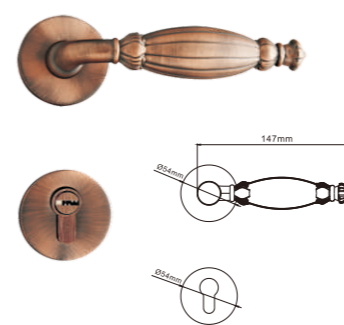


### 2228 DAB ET

Supplying Finish: AB, AC, ACC, AN, ASL, DAB, DAC, OAC, ORB, SG, YB.  
Lock Case Size: 45x85mm

## MODEL NO. : 2236

MATERIAL: Solid zinc alloy die-casting

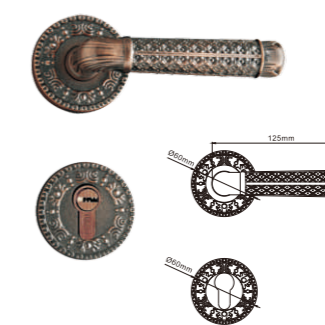


### 2236 DAC ET

Supplying Finish: AB, AC, DAB, DAC, DSN, OAC, ORB, SG, SN.  
Lock Case Size: 45x85mm

## MODEL NO. : 2238

MATERIAL: Solid zinc alloy die-casting

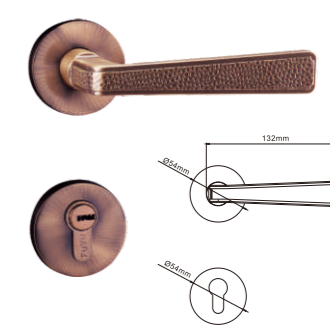


### 2238 DAC ET

Supplying Finish: AB, AC, DAB, DAC, DSN, OAC, ORB, SG, SN.  
Lock Case Size: 45x85mm

## MODEL NO. : 2239

MATERIAL: Solid zinc alloy die-casting

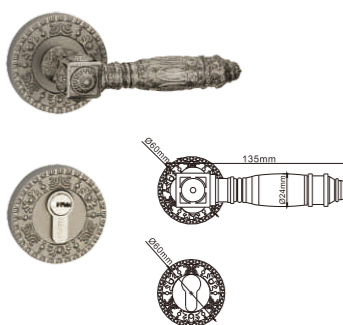


### 2239 DAC ET

Supplying Finish: AB, AC, DAB, DAC, DSN, OAC, ORB, SG, SN.  
Lock Case Size: 45x85mm

## MODEL NO. : 2229

MATERIAL: Solid zinc alloy die-casting

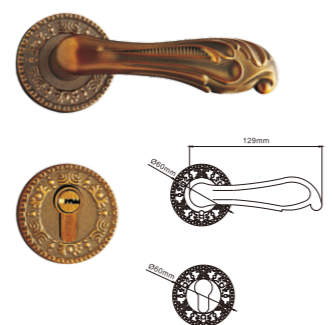


### 2229 ASL ET

Supplying Finish: AB, AC, ACC, AN, ASL, DAB, DAC, OAC, ORB, SG, YB.  
Lock Case Size: 45x85mm

## MODEL NO. : 2230

MATERIAL: Solid zinc alloy die-casting

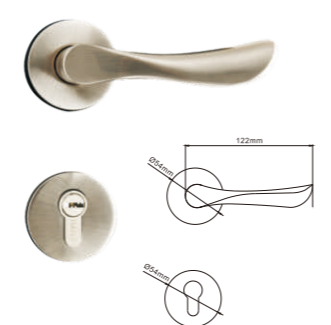


### 2230 YB ET

Supplying Finish: AB, AC, ACC, AN, ASL, DAB, DAC, OAC, ORB, SG, YB.  
Lock Case Size: 45x85mm

## MODEL NO. : 2231

MATERIAL: Solid zinc alloy die-casting

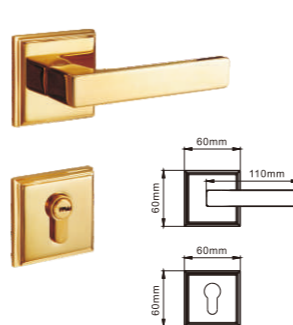


### 2231 SN ET

Supplying Finish: AB, AC, DAB, DAC, DSN, OAC, ORB, SCH, SG, SN.  
Lock Case Size: 45x85mm

## MODEL NO. : 22B03

MATERIAL: Solid forged brass

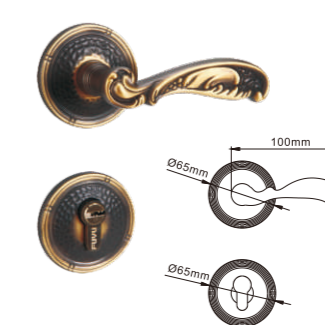


### 22B03 GP ET

Supplying Finish: AB, AC, DAB, DAC, DSN, GP, OAC, ORB, PVD-PB, SG, SN.  
Lock Case Size: 45x85mm

## MODEL NO. : 22B05

MATERIAL: Solid forged brass

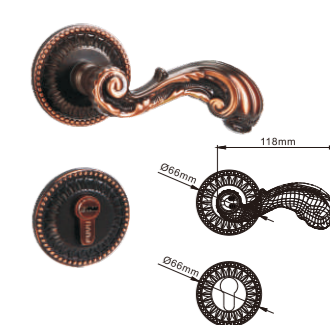


### 22B05 CCH ET

Supplying Finish: AB, AC, CCH, DAB, DAC, ORBH, PVD-PB, RG, SG.  
Lock Case Size: 60x85mm

## MODEL NO. : 22B08

MATERIAL: Solid forged brass

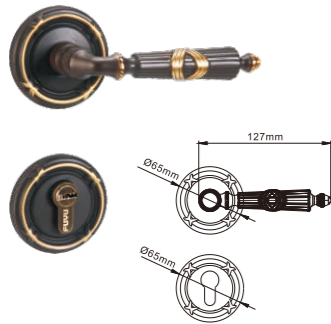


### 22B08 ORBH ET

Supplying Finish: AB, AC, CCH, DAB, DAC, ORBH, PVD-PB, RG, SG.  
Lock Case Size: 60x85mm

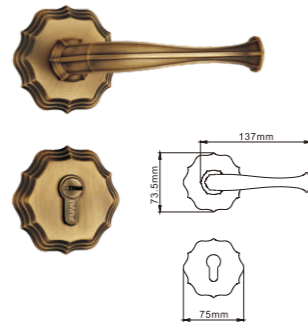


**MODEL NO. : 22B09**  
**MATERIAL:** Solid forged brass



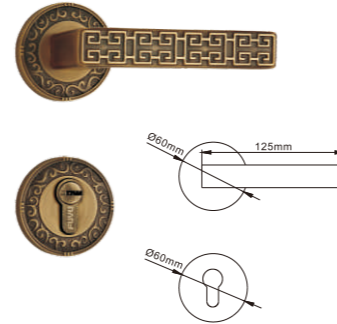
**22B09 CCH ET**  
 Supplying Finish: AB, AC, CCH, DAB, DAC, ORBH, PVD-PB, RG, SG.  
 Lock Case Size: 60x85mm

**MODEL NO. : 22B10**  
**MATERIAL:** Solid forged brass



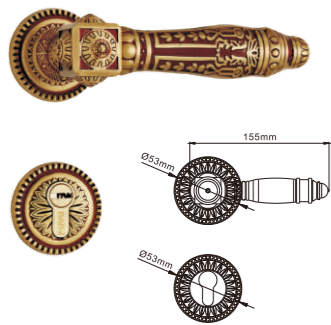
**22B10 DAB ET**  
 Supplying Finish: AB, AC, DAB, DAC, OAC, ORB, PVD-PB, SG.  
 Lock Case Size: 60x85mm

**MODEL NO. : 22B11**  
**MATERIAL:** Solid forged brass



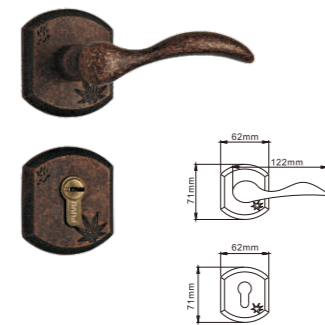
**22B11 DAB ET**  
 Supplying Finish: AB, AC, DAB, DAC, OAC, ORB, PVD-PB, SG.  
 Lock Case Size: 45x85mm

**MODEL NO. : 22B22**  
**MATERIAL:** Solid forged brass



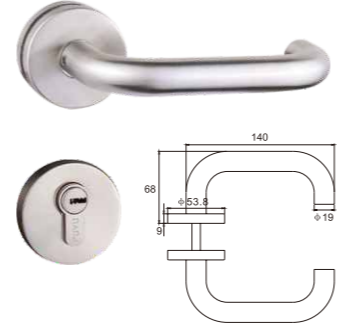
**22B22 RG ET**  
 Supplying Finish: AB, AC, CCH, DAB, DAC, ORBH, PVD-PB, RG, SG.  
 Lock Case Size: 45x85mm

**MODEL NO. : 22B33**  
**MATERIAL:** Solid forged brass



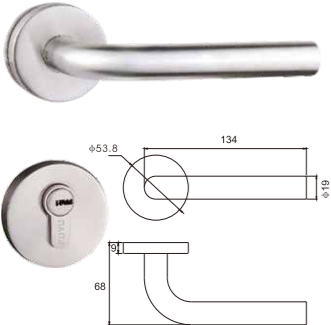
**22B33 ACC ET**  
 Supplying Finish: AB, AC, ACC, CCH, DAB, DAC, DSN, ORBH, PVD-PB, RG, SG, SN.  
 Lock Case Size: 60x85mm

**MODEL NO. : 2250**  
**MATERIAL:** Stamping stainless steel 304



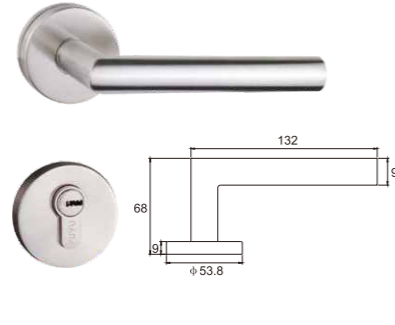
**2250 SS ET**  
 Supplying Finish: SS  
 Lock Case Size: 45x85mm

**MODEL NO. : 2251**  
**MATERIAL:** Stamping stainless steel 304



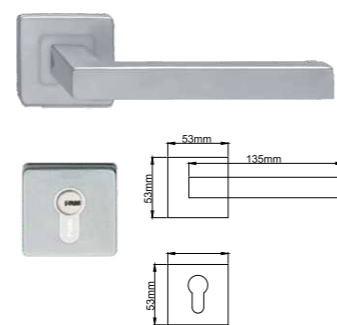
**2251 SS ET**  
 Supplying Finish: SS  
 Lock Case Size: 45x85mm

**MODEL NO. : 2253**  
**MATERIAL:** Stamping stainless steel 304



**2253 SS ET**  
 Supplying Finish: SS  
 Lock Case Size: 45x85mm

**MODEL NO. : 2263**  
**MATERIAL:** Stamping stainless steel 304



**2263 SS ET**  
 Supplying Finish: SS  
 Lock Case Size: 45x85mm

## FULL INTRODUCTION OF SERIES 29

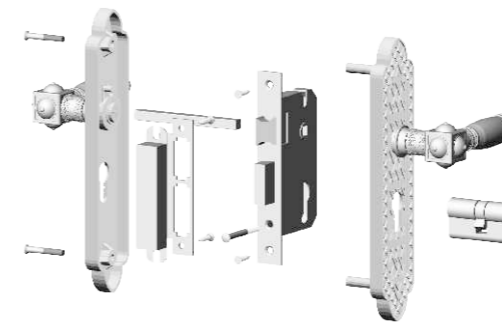
### MAIN SPECIFICATIONS

- Apply to all kinds of interior wooden doors and metal doors.
- Mortise type.
- 10 years mechanism warranty under correct installation and normal usage.
- Artistic design, high added-value.
- Abundant choices for trim and plating.
- Easily reversible for left and right handing.

### PATENT CERTIFICATE



### ASSEMBLY ILLUSTRATION



### BOX DESIGN

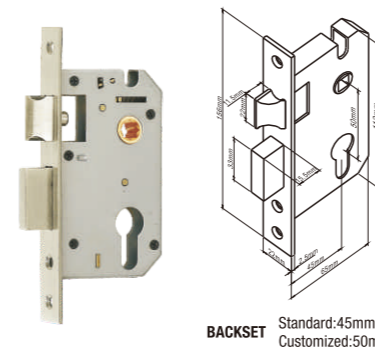


### MORTISE LOCK CASE

#### SUPPLYING SIZE

Standard: 45x50mm      Customized: 50x50mm

#### LOCK CASE OF SIZE 45X50mm/50X50mm



BACKSET Standard:45mm Customized:50mm

- High quality imported EGI(electric galvanized) steel sheet for casing, thickness 1.5mm, firm and strong.
- Solid brass for cam, strong and durable. Octagon design, fitting many kinds of spindles in different shapes, size 8x8 mm,.
- Solid brass for bolt, one-piece bolt available, one throw, strong and durable.
- Solid brass for latch, strong and durable, easily reversible for left and right handing.
- Solid stainless steel or brass for forend(thickness 3.0mm) and strike plate(thickness 1.0mm).

**CYLINDER**

Single Cylinder(Key To Knob) Double Cylinder(Key To Key)



- High quality solid brass cylinder(Brass housing, plugs and pins).
- High class computer keyway technology,7 pins, processed with high precise CNC machines, pin-combination is much more than international standard, high security.
- Each set with 5 pcs keys, all keys are made by solid brass, thickness 2.5mm.

**Supplying Size**

60mm, 70mm, 80mm, 90mm, 100mm

**Specially Optional Function**

- Master Keying(Maximum 4 levels)
- Construction Key
- Anti-Drill

**Supplying Keyway**


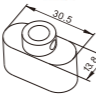







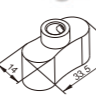

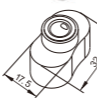

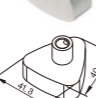



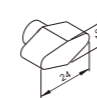
**Standard**



**Customized Keyway**



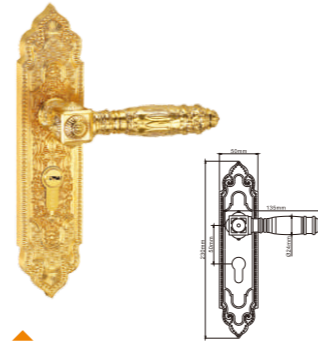
H59 soild brass turn knob available

Turn Knob No. No.1  	Turn Knob No. No.2  	Turn Knob No. No.3  
Turn Knob No. No.4  	Turn Knob No. No.5  	Turn Knob No. No.6  
Turn Knob No. No.8  	Turn Knob No. No.9  	Turn Knob No. No.10  

Notes: No.1 knob is standard, others are customized.

**MODEL NO. : 2901**

MATERIAL: Solid zinc alloy die-casting

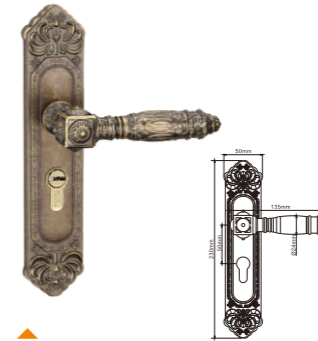


2901 SG ET

Supplying Finish: DAB, DAC, ORB, SG, YB.  
Lock Case Size: 45x50mm

**MODEL NO. : 2902**

MATERIAL: Solid zinc alloy die-casting

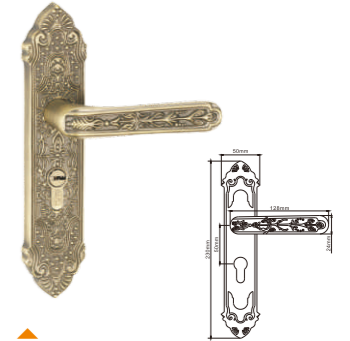


2902 ACC ET

Supplying Finish: ACC, ASL, DAB, DAC, ORB, SG, YB.  
Lock Case Size: 45x50mm

**MODEL NO. : 2903**

MATERIAL: Solid zinc alloy die-casting



2903 DAB ET

Supplying Finish: DAB, DAC, ORB, SG, YB.  
Lock Case Size: 45x50mm

**MODEL NO. : 2905**

MATERIAL: Solid zinc alloy die-casting

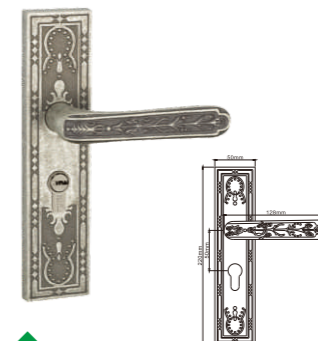


2905 SG ET

Supplying Finish: DAB, DAC, ORB, SG, YB.  
Lock Case Size: 45x50mm

**MODEL NO. : 2906**

MATERIAL: Solid zinc alloy die-casting

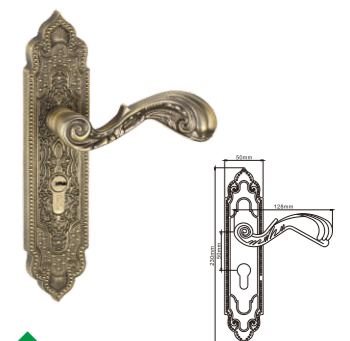


2906 ASL ET

Supplying Finish: ACC, ASL, DAB, DAC, ORB, SG, YB.  
Lock Case Size: 45x50mm

**MODEL NO. : 2908**

MATERIAL: Solid zinc alloy die-casting

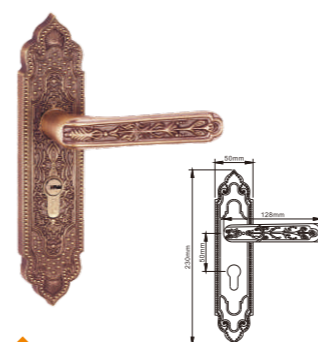


2908 DAB ET

Supplying Finish: DAB, DAC, ORB, SG, YB.  
Lock Case Size: 45x50mm

**MODEL NO. : 2909**

MATERIAL: Solid zinc alloy die-casting

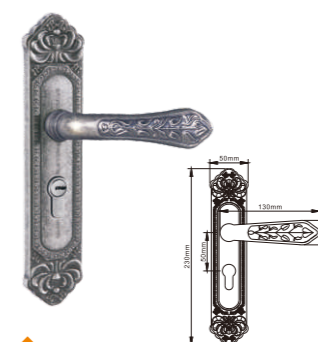


2909 DAC ET

Supplying Finish: DAB, DAC, ORB, SG, YB.  
Lock Case Size: 45x50mm

**MODEL NO. : 2910**

MATERIAL: Solid zinc alloy die-casting

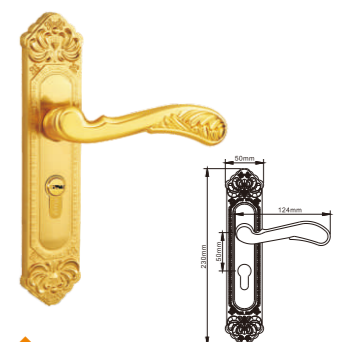


2910 ASL ET

Supplying Finish: ACC, ASL, DAB, DAC, ORB, SG, YB.  
Lock Case Size: 45x50mm

**MODEL NO. : 2911**

MATERIAL: Solid zinc alloy die-casting



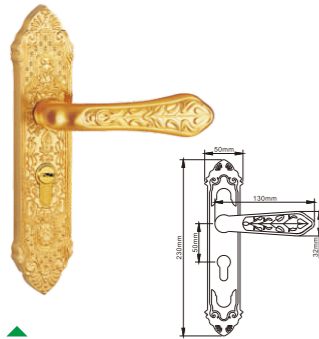
2911 SG ET

Supplying Finish: ACC, ASL, DAB, DAC, ORB, SG, YB.  
Lock Case Size: 45x50mm



## MODEL NO. : 2912

MATERIAL: Solid zinc alloy die-casting

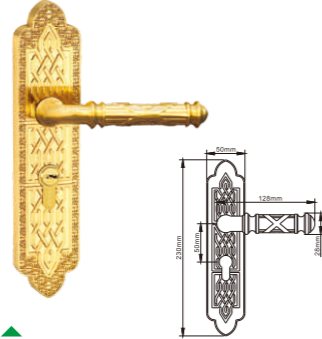


2912 SG ET

Supplying Finish: DAB, DAC, ORB, SG, YB.  
Lock Case Size: 45x50mm

## MODEL NO. : 2913

MATERIAL: Solid zinc alloy die-casting

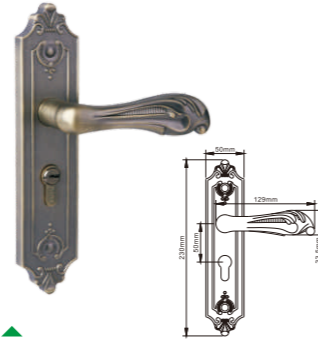


2913 SG ET

Supplying Finish: DAB, DAC, ORB, SG, YB.  
Lock Case Size: 45x50mm

## MODEL NO. : 2915

MATERIAL: Solid zinc alloy die-casting

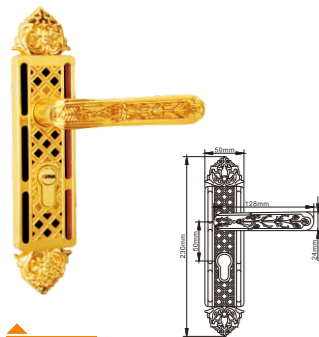


2915 DAB ET

Supplying Finish: DAB, DAC, ORB, SG, YB.  
Lock Case Size: 45x50mm

## MODEL NO. : 2916

MATERIAL: Solid zinc alloy die-casting

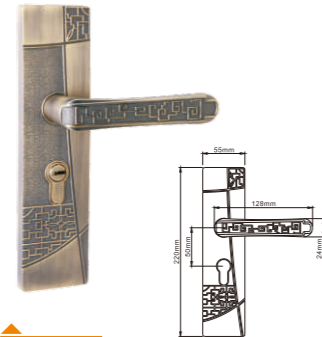


2916 SG ET

Supplying Finish: DAB, DAC, ORB, SG, YB.  
Lock Case Size: 45x50mm

## MODEL NO. : 2918

MATERIAL: Solid zinc alloy die-casting

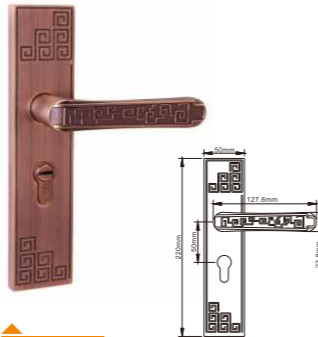


2918 DAB ET

Supplying Finish: DAB, DAC, ORB, SG, YB.  
Lock Case Size: 45x50mm

## MODEL NO. : 2919

MATERIAL: Solid zinc alloy die-casting

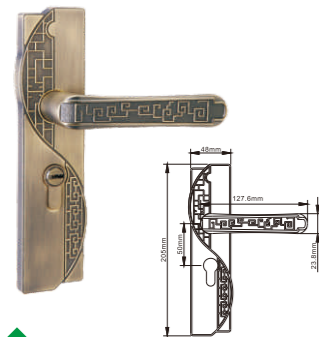


2919 DAC ET

Supplying Finish: DAB, DAC, ORB, SG, YB.  
Lock Case Size: 45x50mm

## MODEL NO. : 2920

MATERIAL: Solid zinc alloy die-casting

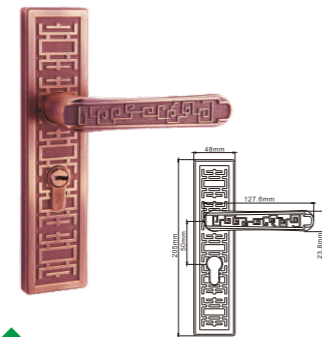


2920 DAB ET

Supplying Finish: DAB, DAC, ORB, SG, YB.  
Lock Case Size: 45x50mm

## MODEL NO. : 2921

MATERIAL: Solid zinc alloy die-casting



2921 DAC ET

Supplying Finish: DAB, DAC, ORB, SG, YB.  
Lock Case Size: 45x50mm

# FULL INTRODUCTION OF SERIES 28

## MAIN SPECIFICATIONS

- Apply to all kinds of interior wooden doors and metal doors.
- 10 years mechanism warranty under correct installation and normal usage.
- Artistic design, high added-value.
- Abundant choices for trim and plating.
- Easily reversible for left and right handing.

## BOX DESIGN



## CYLINDER



- High quality solid brass cylinder (Brass housing, plug and pins).
- Yale keyway, 5 pins, processed with high precise CNC machines.
- Each set with 3 pcs keys made by solid brass.
- Hardened process for tail-piece, stronger and more durable.

## Supplying Keyway

Standard



Customized Keyway



## MORTISE LOCK CASE VERSION

Backset: 50mm  
Center to Center Distance: 50mm



## LATCH VERSION

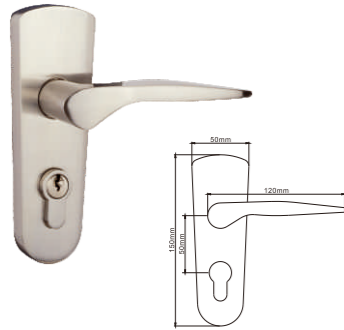
Backset:  
Standard: 50mm  
Customized: 60mm, 70mm



# 28 SERIES - MORTISE MECHANISM

## MODEL NO. : 2801

MATERIAL: Solid zinc alloy die-casting

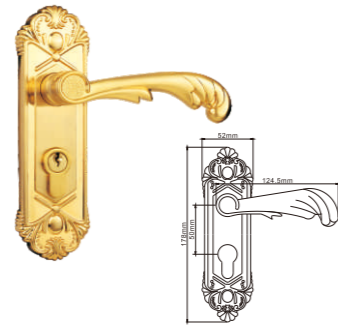


### 2801 SN ET

Supplying Finish: AB, AC, DAB, DAC, DSN, OAC, ORB, SG, SN.  
Door thickness: 35-50mm

## MODEL NO. : 2802

MATERIAL: Solid zinc alloy die-casting

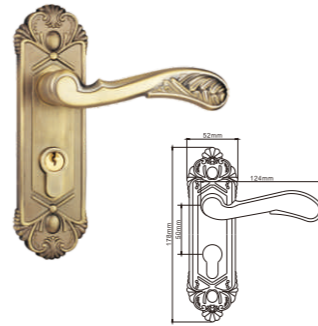


### 2802 SG ET

Supplying Finish: AB, AC, ACC, AN, ASL, DAB, DAC, OAC, ORB, SG, YB.  
Door thickness: 35-50mm

## MODEL NO. : 2803

MATERIAL: Solid zinc alloy die-casting

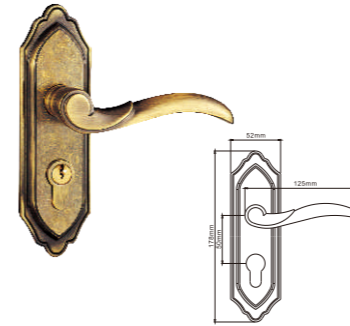


### 2803 DAB ET

Supplying Finish: AB, AC, ACC, AN, ASL, DAB, DAC, OAC, ORB, SG, YB.  
Door thickness: 35-50mm

## MODEL NO. : 2813

MATERIAL: Solid zinc alloy die-casting

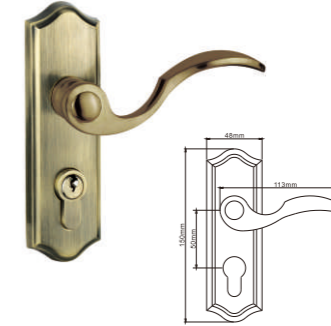


### 2813 ACC ET

Supplying Finish: AB, AC, ACC, AN, ASL, DAB, DAC, OAC, ORB, SG, YB.  
Door thickness: 35-50mm

## MODEL NO. : 2815

MATERIAL: Solid zinc alloy die-casting

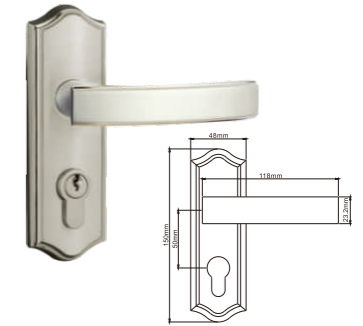


### 2815 AB ET

Supplying Finish: AB, AC, DAB, DAC, DSN, ORB, SCH/CH, SG/GP, SN/GP, SN/NP.  
Door thickness: 35-50mm

## MODEL NO. : 2821

MATERIAL: Solid zinc alloy die-casting

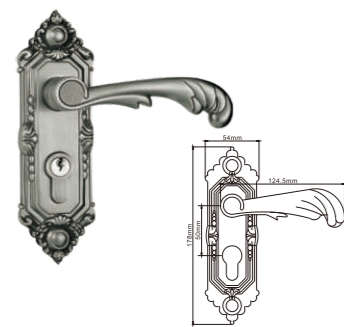


### 2821 SN/NP ET

Supplying Finish: AB, AC, DAB, DAC, DSN, ORB, SCH/CH, SG/GP, SN/GP, SN/NP.  
Door thickness: 35-50mm

## MODEL NO. : 2805

MATERIAL: Solid zinc alloy die-casting

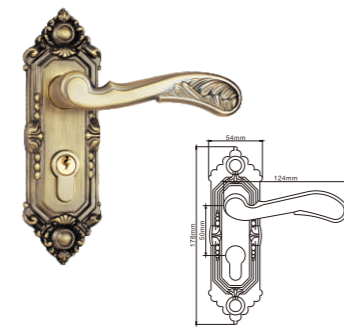


### 2805 AN ET

Supplying Finish: AB, AC, ACC, AN, ASL, DAB, DAC, OAC, ORB, SG, YB.  
Door thickness: 35-50mm

## MODEL NO. : 2806

MATERIAL: Solid zinc alloy die-casting

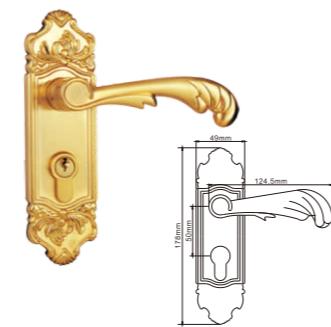


### 2806 DAB ET

Supplying Finish: AB, AC, ACC, AN, ASL, DAB, DAC, OAC, ORB, SG, YB.  
Door thickness: 35-50mm

## MODEL NO. : 2808

MATERIAL: Solid zinc alloy die-casting

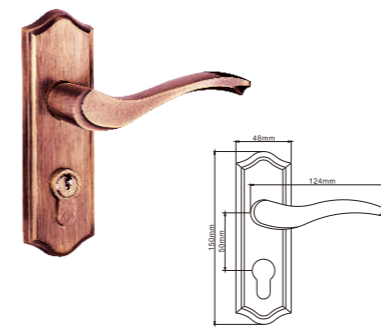


### 2808 SG ET

Supplying Finish: AB, AC, ACC, AN, ASL, DAB, DAC, OAC, ORB, SG, YB.  
Door thickness: 35-50mm

## MODEL NO. : 2822

MATERIAL: Solid zinc alloy die-casting



### 2822 AC ET

Supplying Finish: AB, AC, DAB, DAC, DSN, ORB, SCH/CH, SG/GP, SN/GP, SN/NP.  
Door thickness: 35-50mm

## MODEL NO. : 2831

MATERIAL: Solid zinc alloy die-casting



### 2831 SN/GP ET

Supplying Finish: AB, AC, DAB, DAC, DSN, ORB, SCH/CH, SG/GP, SN/GP, SN/NP.  
Door thickness: 35-50mm

## MODEL NO. : 2832

MATERIAL: Solid zinc alloy die-casting

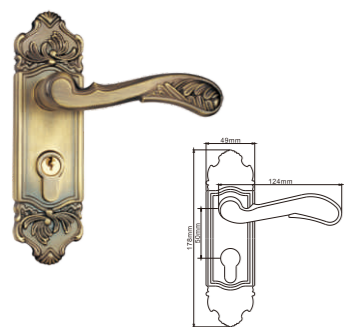


### 2832 SN/NP ET

Supplying Finish: AB, AC, DAB, DAC, DSN, ORB, SCH/CH, SG/GP, SN/GP, SN/NP.  
Door thickness: 35-50mm

## MODEL NO. : 2809

MATERIAL: Solid zinc alloy die-casting

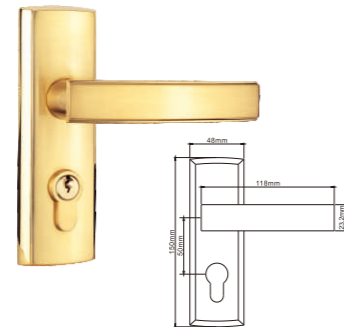


### 2809 DAB ET

Supplying Finish: AB, AC, ACC, AN, ASL, DAB, DAC, OAC, ORB, SG, YB.  
Door thickness: 35-50mm

## MODEL NO. : 2811

MATERIAL: Solid zinc alloy die-casting



### 2811 SG/GP ET

Supplying Finish: AB, AC, DAB, DAC, DSN, ORB, SCH/CH, SG/GP, SN/GP, SN/NP.  
Door thickness: 35-50mm

## MODEL NO. : 2812

MATERIAL: Solid zinc alloy die-casting

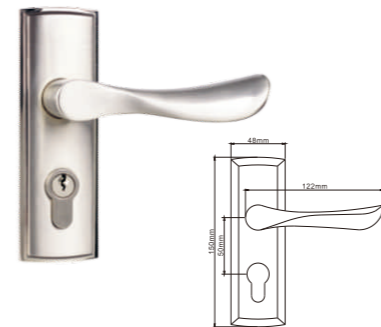


### 2812 SN/GP ET

Supplying Finish: AB, AC, DAB, DAC, DSN, ORB, SCH/CH, SG/GP, SN/GP, SN/NP.  
Door thickness: 35-50mm

## MODEL NO. : 2838

MATERIAL: Solid zinc alloy die-casting

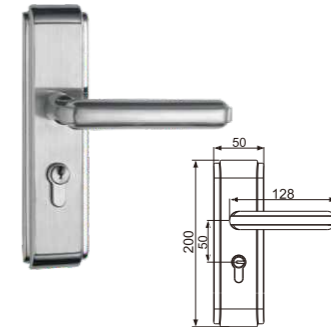


### 2838 SN/NP ET

Supplying Finish: AB, AC, DAB, DAC, DSN, ORB, SCH/CH, SG/GP, SN/GP, SN/NP.  
Door thickness: 35-50mm

## MODEL NO. : 28ST01

MATERIAL: Stamping stainless steel 304

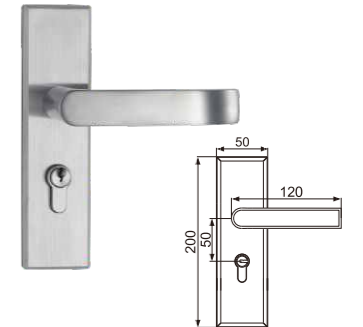


### 28ST01 SS/SP ET

Supplying Finish: PVD-PB, PVD-SB, SP, SS, SS/SP.  
Door thickness: 35-50mm

## MODEL NO. : 28ST03

MATERIAL: Stamping stainless steel 304



### 28ST03 SS ET

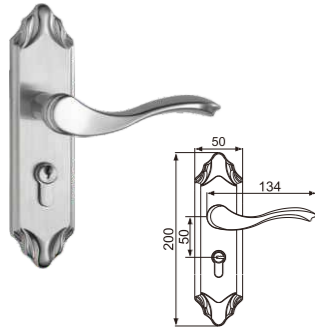
Supplying Finish: PVD-PB, PVD-SB, SP, SS, SS/SP.  
Door thickness: 35-50mm



## 28 SERIES - MORTISE MECHANISM

### MODEL NO. : 28ST05

MATERIAL: Stamping stainless steel 304

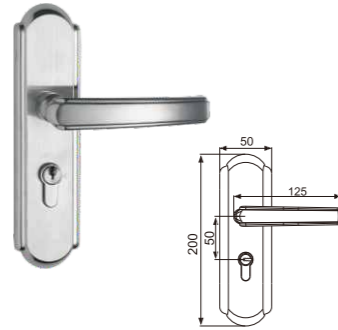


#### 28ST05 SS/SP

Supplying Finish:  
PVD-PB, PVD-SB, SP, SS, SS/SP.  
Door thickness:  
35-50mm

### MODEL NO. : 28ST06

MATERIAL: Stamping stainless steel 304

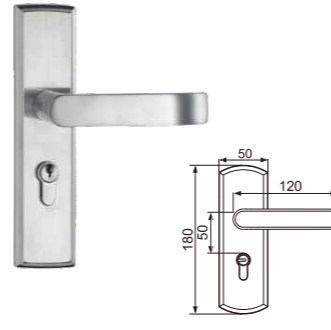


#### 28ST06 SS/SP ET

Supplying Finish:  
PVD-PB, PVD-SB, SP, SS, SS/SP.  
Door thickness:  
35-50mm

### MODEL NO. : 28ST07

MATERIAL: Stamping stainless steel 304



#### 28ST07 SS/SP ET

Supplying Finish:  
PVD-PB, PVD-SB, SP, SS, SS/SP.  
Door thickness:  
35-50mm

"The bitterness of poor quality remains long after the sweetness of low price is forgotten." We always keep this in mind.

The owner of our factory has dedicated to lock set manufacture industry almost 35 years, he understands how to make good locks.

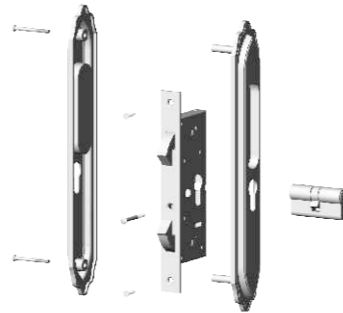
In order to fully control and ensure trustable quality, we produce the complete lock set including cylinders and mortise locks all by ourselves in house, and our management team think over how to do that better all the time.

# FULL INTRODUCTION OF SERIES 56

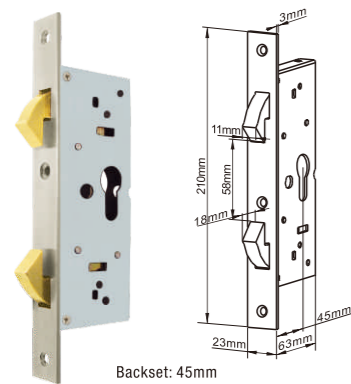
## MAIN SPECIFICATIONS

- Apply to all kinds of luxury wooden sliding doors and metal sliding doors.
- Mortise type.
- 10 years mechanism warranty under correct installation and normal usage.
- Artistic design, high added-value.
- Abundant choices for trim and plating.
- Double compass bolt lock case.

## ASSEMBLY ILLUSTRATION



## MORTISE LOCK CASE



- High quality imported EGI(electric galvanized) steel sheet for casing, thickness 1.5mm, firm and strong.
- Solid brass for bolts.
- Double compass bolt, precise mechanism inside, distinctive, stable, strong and high security.
- Solid stainless steel or brass for forend(thickness 3.0mm) and strike plate (thickness 3.0mm).

## CYLINDER

### Single Cylinder(Key to Knob)



### Double Cylinder(Key to Key)



### Supplying Size

60mm, 70mm,  
80mm, 90mm, 100mm

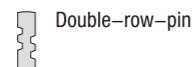
- High quality solid brass cylinder(Brass housing, plugs and pins).
- High class computer keyway technology, 7 pins, processed with high precise CNC machines, pin-combination is much more than international standard, high security.
- Each set with 5 pcs keys, all keys are made by solid brass, thickness 2.5mm.

### Supplying Keyway

#### Standard



#### Customized Keyway



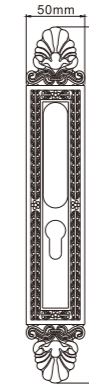
# 56 SERIES - MORTISE MECHANISM



MODEL NO. : **5601** MATERIAL: Solid zinc alloy die-casting



5601 DAB ET



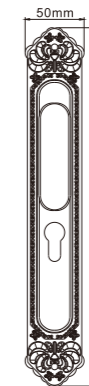
**Supplying Finish**  
ACC, AN, ASL, DAB, DAC, OAC, SG.

**Door Thickness Range**  
Standard:  
30-45mm (70mm cylinder)  
Customized:  
46-55mm (80mm cylinder)  
56-65mm (90mm cylinder)

MODEL NO. : **5602** MATERIAL: Solid zinc alloy die-casting



5602 ACC ET



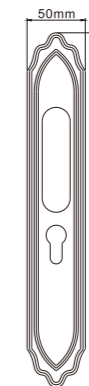
**Supplying Finish**  
ACC, AN, ASL, DAB, DAC, OAC, SG.

**Door Thickness Range**  
Standard:  
30-45mm (70mm cylinder)  
Customized:  
46-55mm (80mm cylinder)  
56-65mm (90mm cylinder)

MODEL NO. : **5603** MATERIAL: Solid zinc alloy die-casting



5603 ASL ET



**Supplying Finish**  
ACC, AN, ASL, DAB, DAC, OAC, SG.

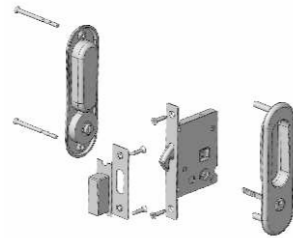
**Door Thickness Range**  
Standard:  
30-45mm (70mm cylinder)  
Customized:  
46-55mm (80mm cylinder)  
56-65mm (90mm cylinder)

# FULL INTRODUCTION OF SERIES 556

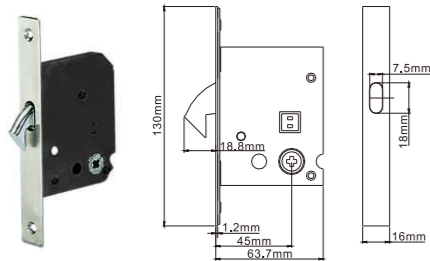
## MAIN SPECIFICATIONS

- Apply to all kinds of wooden sliding doors and metal sliding doors.
- Simple mechanism, stable performance.
- Artistic design, high added-value.
- Abundant choices for trim, function and plating.

## ASSEMBLY ILLUSTRATION



## MORTISE LOCK CASE



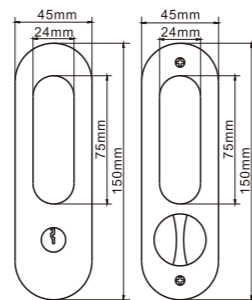
- High quality steel sheet for housing, firm and strong.
- Solid zinc alloy die-casting for crossing rotor, stable and smooth performance.
- Solid zinc alloy die-casting for compass bolt, strong and durable.
- Solid stainless steel for forend and strike plate.

## CYLINDER



- High quality solid brass cylinder (Brass casing, plugs and pins).
- Yale keyway, 3 pins, processed with high precise CNC machines, running smoothly.
- Each set with 3 pcs keys, all keys are made by solid brass.
- Hardened process for tail-piece, stronger and more durable.

MODEL NO. : **5561** MATERIAL: Solid zinc alloy die-casting



Supplying Finish: AB, AC, CP, DAB, DAC, DSN, OAC, PB, SCH, SG, SN.

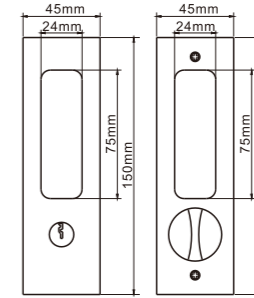
Standard Door Thickness: 35-50mm

5561 SN ET

5561 SN FH

# 556 SERIES - MORTISE MECHANISM

MODEL NO. : **5562** MATERIAL: Solid zinc alloy die-casting



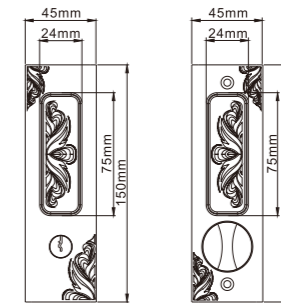
Supplying Finish: AB, AC, CP, DAB, DAC, DSN, OAC, PB, SCH, SG, SN.

Standard Door Thickness: 35-50mm

5562 SG ET

5562 SG BK

MODEL NO. : **5563** MATERIAL: Solid zinc alloy die-casting



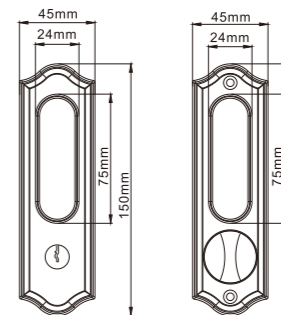
Supplying Finish: ACC, AN, ASL, DAB, DAC, DSN, OAC, PB, SG.

Standard Door Thickness: 35-50mm

5563 ACC ET

5563 DAB DC

MODEL NO. : **5565** MATERIAL: Solid zinc alloy die-casting



Supplying Finish: AB, AC, CP, DAB, DAC, DSN, OAC, PB, SCH, SG, SN.

Standard Door Thickness: 35-50mm

5565 DAB ET

5565 PB DM

# FULL INTRODUCTION OF SERIES 550

## MAIN SPECIFICATIONS

- Apply to all kinds of wooden sliding doors and metal sliding doors.
- Italian standard, high quality mechanism.
- Artistic design, high added-value.
- Abundant choices for trim and plating.

## MORTISE LOCK CASE

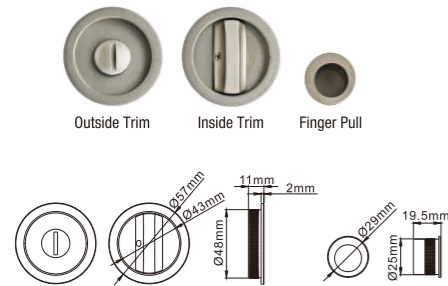
- High quality steel sheet for casing, thickness 1.5mm, firm and strong.
- Solid powder metal for cam, strong and durable.
- Lock case fits spindles in size 8×8 mm.
- Solid zinc alloy die-casting for compass bolt, strong and durable.
- Solid stainless steel or brass for forend (thickness 2.5mm) and strike plate (thickness 2.5 mm).

### 5501 Italian Standard

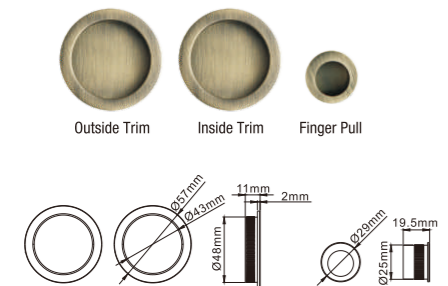
**MATERIAL:** Solid zinc alloy die-casting



#### Bathroom



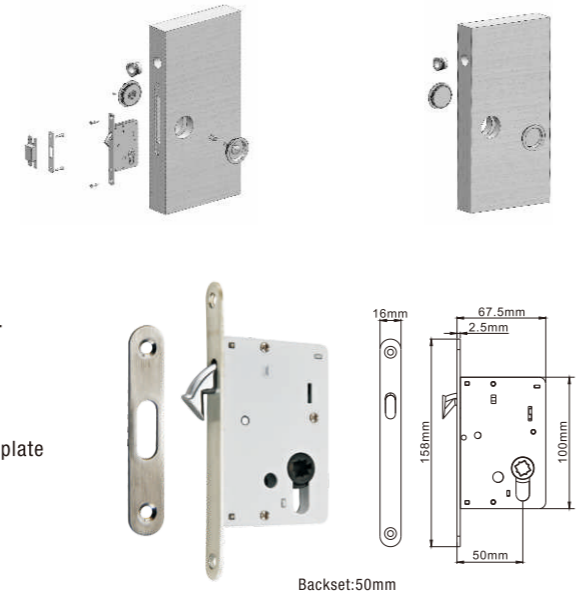
#### Flush Handle



**Standard Door Thickness:** 35–50mm  
**Supplying Finish:** ACC, ASL, CP, DAB, DAC, DSN, GP, PB, SCH, SG.

## ASSEMBLY ILLUSTRATION

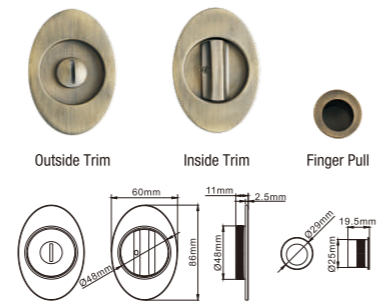
Bathroom (Privacy)      Flush Handle / Passage



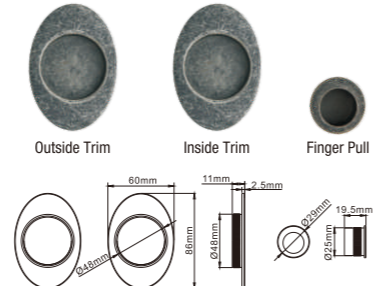
### 5502 Italian Standard

**MATERIAL:** Solid zinc alloy die-casting

#### Bathroom



#### Flush Handle



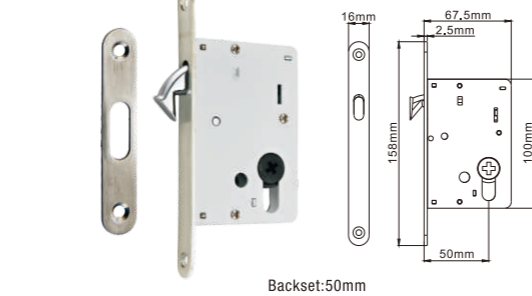
**Standard Door Thickness:** 35–50mm  
**Supplying Finish:** ACC, ASL, CP, DAB, DAC, DSN, GP, PB, SCH, SG.

# FULL INTRODUCTION OF SERIES 551

## MAIN SPECIFICATIONS

- Apply to all kinds of wooden sliding doors and metal sliding doors.
- Italian standard, high quality mechanism.
- Artistic design, high added-value.
- Abundant choices for trim and plating.

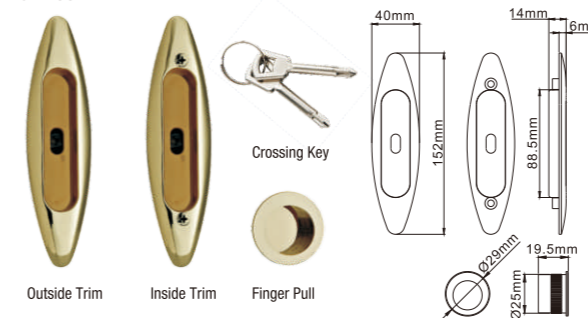
## MORTISE LOCK CASE



### 5511 Italian Standard

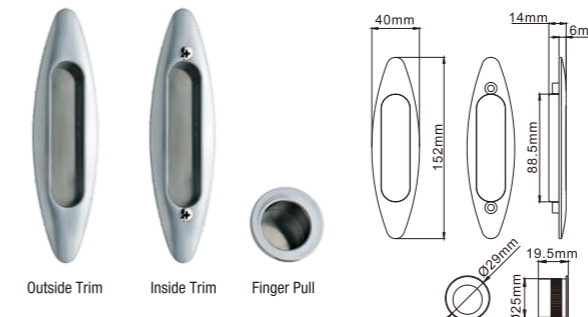
**MATERIAL:** Solid zinc alloy die-casting

#### Bathroom



Notes: For bathroom (privacy) is with both lock case and crossing keys, the keys are without keyway and cutting, just for operation of lock case.

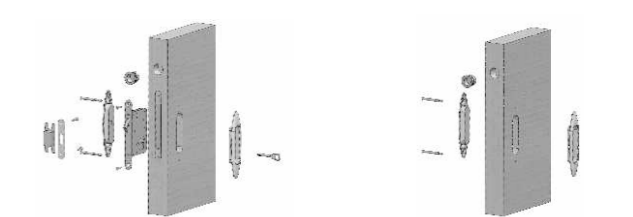
#### Flush Handle



**Standard Door Thickness:** 35–50mm  
**Supplying Finish:** ACC, ASL, CP, DAB, DAC, DSN, GP, PB, SCH, SG.

## ASSEMBLY ILLUSTRATION

Bathroom (Privacy)      Flush Handle / Passage

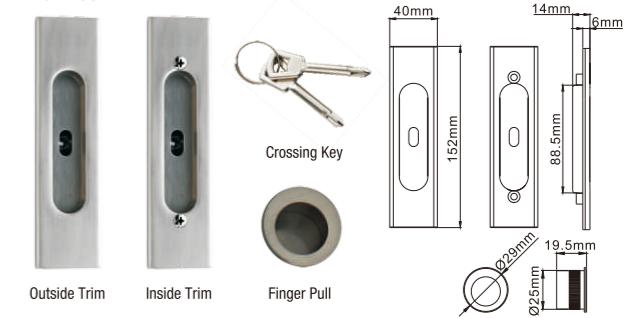


- High quality steel sheet for casing, thickness 1.5mm, firm and strong.
- Solid powder metal for cam, strong and durable.
- Lock case fits crossing keys as provided.
- Solid zinc alloy die-casting for compass bolt, strong and durable.
- Solid stainless steel or brass for forend (thickness 2.5mm) and strike plate (thickness 2.5 mm).

### 5512 Italian Standard

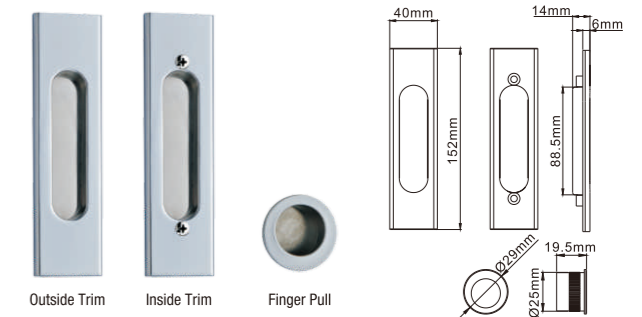
**MATERIAL:** Solid zinc alloy die-casting

#### Bathroom



Notes: For bathroom (privacy) is with both lock case and crossing keys, the keys are without keyway and cutting, just for operation of lock case.

#### Flush Handle



**Standard Door Thickness:** 35–50mm  
**Supplying Finish:** ACC, ASL, CP, DAB, DAC, DSN, GP, PB, SCH, SG.

# FULL INTRODUCTION OF SERIES 33

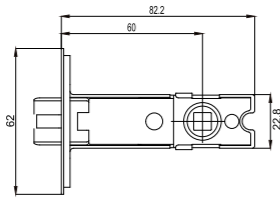
## MAIN SPECIFICATIONS

- Apply to all kinds of wooden doors and metal doors.
- Easily reversible for left and right handing.
- 2 in 1 mechanism, combined with advantages of cylindrical and tubular, offering a special structure, excellent performance and strong operation feeling.
- Under correct installation and normal usage, the lever will not come down automatically in 10 years.
- Cylindrical chassis, anti-pry and higher fire-rated level.



- Concealed mounting-screw design for back rosette, looks more artistic and higher class.

## LATCH



- Solid zinc alloy die-casting three-piece latch.
- Solid zinc alloy die-casting for cam, strong and durable.
- With anti-insert function, high security.
- With silent-closed function, make your life less noisy and more comfortable.
- Precise mechanism inside, works stably.
- Solid stainless steel for forend and strike plate.

### Backset

Standard: 70mm  
Optional: 60mm  
Notes: Backset is fixed and unadjustable for stable working purpose.

## CYLINDER



- High quality solid brass cylinder (Brass housing, plug and pins).
- Kwikset keyway, 5 pins, processed with high precise CNC machines, pin-combination is much more than international standard, high security.
- Each set with 3 pcs keys made by solid brass.

### Standard Keyway



Kwikset

### Customized Keyway



Computer



Yale



Schlage



Weiser

## BOX DESIGN



## BLISTER PACK DESIGN

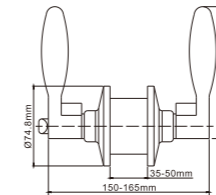


# 33 SERIES - 2 IN 1 MECHANISM



### MODEL NO. : 3310

MATERIAL: Solid zinc alloy lever + stainless steel or brass rosette

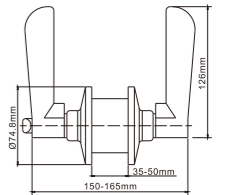


#### 3310 SG ET

Supplying Finish: AB, AC, CP, SCH, SG, SN.  
Standard Door Thickness: 35-50mm

### MODEL NO. : 3311

MATERIAL: Solid zinc alloy lever + stainless steel or brass rosette

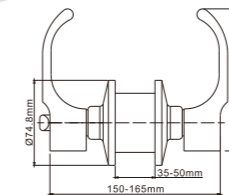


#### 3311 AC ET

Supplying Finish: AB, AC, CP, SCH, SG, SN.  
Standard Door Thickness: 35-50mm

### MODEL NO. : 3312

MATERIAL: Solid zinc alloy lever + stainless steel or brass rosette

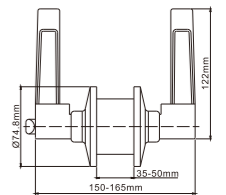


#### 3312 SCH ET

Supplying Finish: AB, AC, CP, SCH, SG, SN.  
Standard Door Thickness: 35-50mm

### MODEL NO. : 3313

MATERIAL: Solid zinc alloy lever + stainless steel or brass rosette

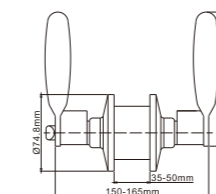


#### 3313 AB ET

Supplying Finish: AB, AC, CP, SCH, SG, SN.  
Standard Door Thickness: 35-50mm

### MODEL NO. : 3315

MATERIAL: Solid zinc alloy lever + stainless steel or brass rosette

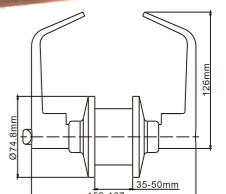


#### 3315 SN ET

Supplying Finish: AB, AC, CP, SCH, SG, SN.  
Standard Door Thickness: 35-50mm

### MODEL NO. : 3316

MATERIAL: Solid zinc alloy lever + stainless steel or brass rosette



#### 3316 AC ET

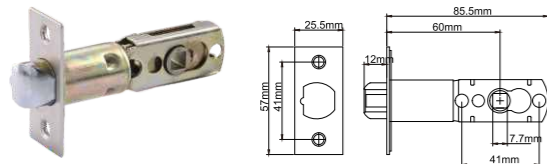
Supplying Finish: AB, AC, CP, SCH, SG, SN.  
Standard Door Thickness: 35-50mm

# FULL INTRODUCTION OF SERIES 32

## MAIN SPECIFICATIONS

- Apply to all kinds of wooden doors and metal doors.
- Solid zinc alloy die-casting for both lever handles and rosettes, strong and firm.
- Inside components processed with special treatment for good quality mechanism.
- 45° tubular latch for heavy duty purpose.

## LATCH



- Latch tongue is made by zinc alloy die-casting.
- 45° tongue for heavy duty purpose.
- High quality components inside to ensure good mechanism.
- Backset 60–70mm adjustable.

## CYLINDER



- High quality solid brass cylinder (Brass housing, plug and pins).
- Kwikset keyway, 5 pins, processed with high precise CNC machines, pin-combination is much more than international standard, high security.
- Each set with 3 pcs keys made by solid brass.

### Standard Keyway



### Customized Keyway



## SUPPLYING FINISH

AB (US 5)    BN (US 17A)    PB (US 3)    SN (US 15)  
 AC (US 11)    CP (US 26)    SB (US 4)  
 AN (US 15A)    ORB (US 10B)    SCH (US 26D)

## BOX DESIGN



## BLISTER PACK DESIGN



# 32 SERIES - HEAVY DUTY TUBULAR LEVER SET

## MODEL NO. : 3201

MATERIAL: Solid zinc alloy die-casting

### Entry



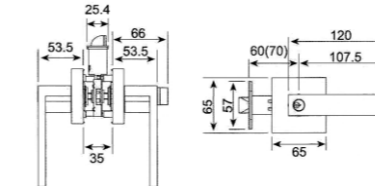
### Bathroom



### Passage



### Single Side Dummy



Standard Door Thickness: 35–45mm  
 Customized Door Thickness: 45–50mm

## MODEL NO. : 3202

MATERIAL: Solid zinc alloy die-casting

### Entry



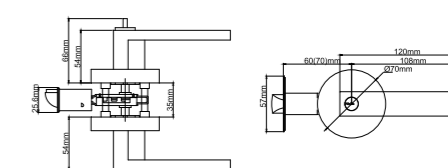
### Bathroom



### Passage



### Single Side Dummy



Standard Door Thickness: 35–45mm  
 Customized Door Thickness: 45–50mm

## MODEL NO. : 3203

MATERIAL: Solid zinc alloy die-casting

### Entry



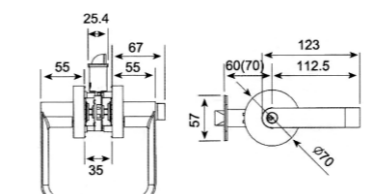
### Bathroom



### Passage



### Single Side Dummy



Standard Door Thickness: 35–45mm  
 Customized Door Thickness: 45–50mm

## MODEL NO. : 3205

MATERIAL: Solid zinc alloy die-casting

### Entry



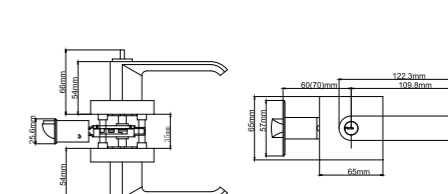
### Bathroom



### Passage



### Single Side Dummy



Standard Door Thickness: 35–45mm  
 Customized Door Thickness: 45–50mm

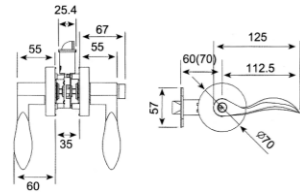
# 32 SERIES - HEAVY DUTY TUBULAR LEVER SET

## MODEL NO. : 3206

MATERIAL: Solid zinc alloy die-casting



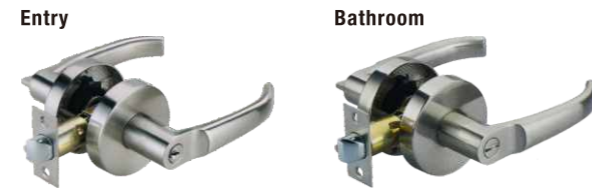
Passage Single Side Dummy



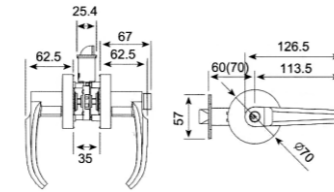
Standard Door Thickness: 35-45mm  
Customized Door Thickness: 45-50mm

## MODEL NO. : 3213

MATERIAL: Solid zinc alloy die-casting



Passage Single Side Dummy



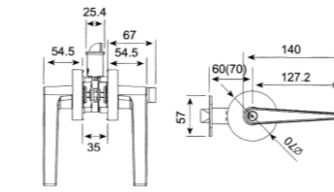
Standard Door Thickness: 35-45mm  
Customized Door Thickness: 45-50mm

## MODEL NO. : 3225

MATERIAL: Solid zinc alloy die-casting



Passage Single Side Dummy



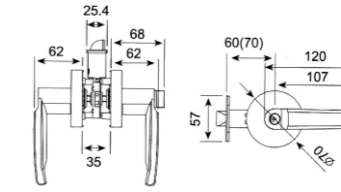
Standard Door Thickness: 35-45mm  
Customized Door Thickness: 45-50mm

## MODEL NO. : 3230

MATERIAL: Solid zinc alloy die-casting



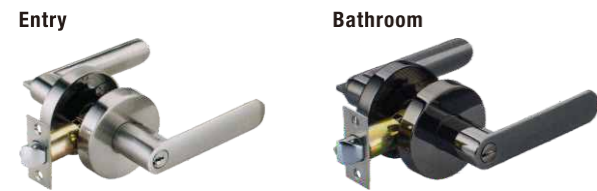
Passage Single Side Dummy



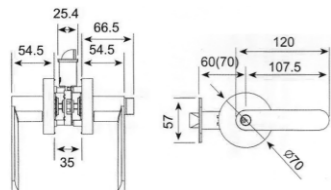
Standard Door Thickness: 35-45mm  
Customized Door Thickness: 45-50mm

## MODEL NO. : 3216

MATERIAL: Solid zinc alloy die-casting



Passage Single Side Dummy



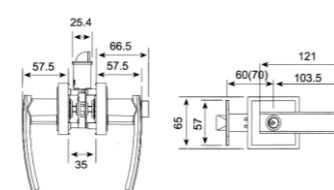
Standard Door Thickness: 35-45mm  
Customized Door Thickness: 45-50mm

## MODEL NO. : 3219

MATERIAL: Solid zinc alloy die-casting



Passage Single Side Dummy



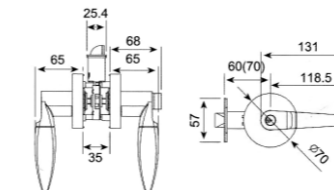
Standard Door Thickness: 35-45mm  
Customized Door Thickness: 45-50mm

## MODEL NO. : 3231

MATERIAL: Solid zinc alloy die-casting



Passage Single Side Dummy



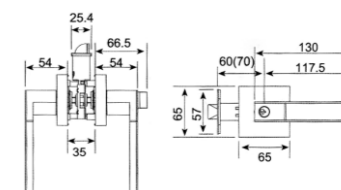
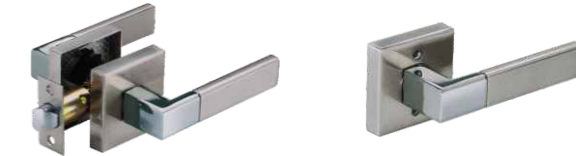
Standard Door Thickness: 35-45mm  
Customized Door Thickness: 45-50mm

## MODEL NO. : 3232

MATERIAL: Solid zinc alloy die-casting



Passage Single Side Dummy



Standard Door Thickness: 35-45mm  
Customized Door Thickness: 45-50mm



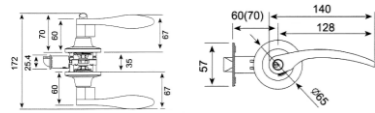


# TUBULAR LEVER SET

MODEL NO. : 806



806 SN ET



Standard Door Thickness: 35-50mm

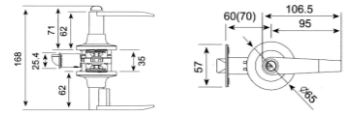
Supplying Finish: AB (US 5), AC (US 11), CP (US 26), ORB (US 10B), PB (US 3), SN (US 15).

Supplying Function: Entry, Bathroom, Passage, Single Side Dummy, Master Keying (Maximum 4 levels), Storeroom, Key-alike.

MODEL NO. : 808



808 SN ET



Standard Door Thickness: 35-50mm

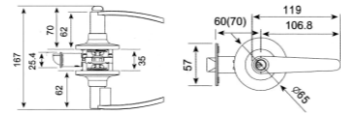
Supplying Finish: AB (US 5), AC (US 11), CP (US 26), ORB (US 10B), PB (US 3), SN (US 15).

Supplying Function: Entry, Bathroom, Passage, Single Side Dummy, Master Keying (Maximum 4 levels), Storeroom, Key-alike.

MODEL NO. : 809



809 SN ET



Standard Door Thickness: 35-50mm

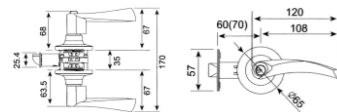
Supplying Finish: AB (US 5), AC (US 11), CP (US 26), ORB (US 10B), PB (US 3), SN (US 15).

Supplying Function: Entry, Bathroom, Passage, Single Side Dummy, Master Keying (Maximum 4 levels), Storeroom, Key-alike.

MODEL NO. : 811



811 SN ET



Standard Door Thickness: 35-50mm

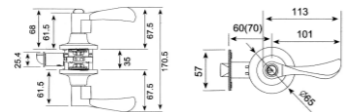
Supplying Finish: AB (US 5), AC (US 11), CP (US 26), ORB (US 10B), PB (US 3), SN (US 15).

Supplying Function: Entry, Bathroom, Passage, Single Side Dummy, Master Keying (Maximum 4 levels), Storeroom, Key-alike.

MODEL NO. : 813



813 SN ET



Standard Door Thickness: 35-50mm

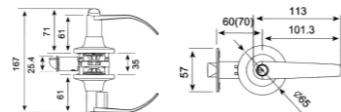
Supplying Finish: AB (US 5), AC (US 11), CP (US 26), ORB (US 10B), PB (US 3), SN (US 15).

Supplying Function: Entry, Bathroom, Passage, Single Side Dummy, Master Keying (Maximum 4 levels), Storeroom, Key-alike.

MODEL NO. : 815



815 SN ET



Standard Door Thickness: 35-50mm

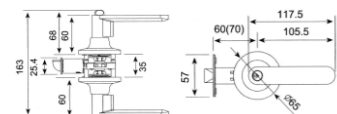
Supplying Finish: AB (US 5), AC (US 11), CP (US 26), ORB (US 10B), PB (US 3), SN (US 15).

Supplying Function: Entry, Bathroom, Passage, Single Side Dummy, Master Keying (Maximum 4 levels), Storeroom, Key-alike.

MODEL NO. : 816



816 SN BK



Standard Door Thickness: 35-50mm

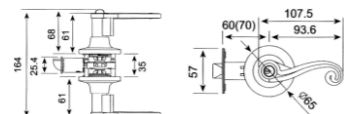
Supplying Finish: AB (US 5), AC (US 11), CP (US 26), ORB (US 10B), PB (US 3), SN (US 15).

Supplying Function: Entry, Bathroom, Passage, Single Side Dummy, Master Keying (Maximum 4 levels), Storeroom, Key-alike.

MODEL NO. : 830



830 AB BK



Standard Door Thickness: 35-50mm

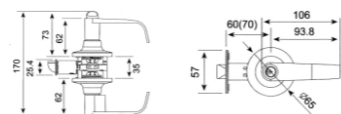
Supplying Finish: AB (US 5), AC (US 11), CP (US 26), ORB (US 10B), PB (US 3), SN (US 15).

Supplying Function: Entry, Bathroom, Passage, Single Side Dummy, Master Keying (Maximum 4 levels), Storeroom, Key-alike.

MODEL NO. : 831



831 SCH BK



Standard Door Thickness: 35-50mm

Supplying Finish: AB (US 5), AC (US 11), CP (US 26), ORB (US 10B), PB (US 3), SN (US 15).

Supplying Function: Entry, Bathroom, Passage, Single Side Dummy, Master Keying (Maximum 4 levels), Storeroom, Key-alike.

# TUBULAR KNOB SET

Latch



Supplying Finish:

AB (US 5)  
AC (US 11)  
CP (US 26)  
ORB (US 10B)  
PB (US 3)  
SB (US 4)  
SS (US 32D)  
SP (US 32)

Supplying Function:

Entry  
Bathroom  
Bathroom With Indicator  
Passage  
Single Side Dummy  
Master Keying (Maximum 4 levels)  
Storeroom  
Key-alike

Standard Keyway: Kwikset

Customized Keyway:

Yale  
Schlage  
Weiser  
C4

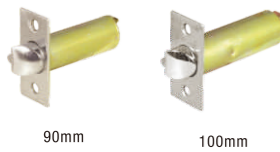
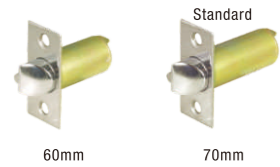
Standard Door Thickness: 35-50mm

Customized Door Thickness: 26-40mm



# CYLINDRICAL KNOB SET

## Latch



## Supplying Finish:

AB (US 5)  
AC (US 11)  
PB (US 3)  
SB (US 4)  
SS (US 32D)  
SP (US 32)

## Supplying Function:

Entry  
Bathroom  
Passage  
Master Keying (Maximum 4 levels)  
Storeroom  
Key-alike

## Standard Keyway: Yale

**Customized Keyway:**  
Kwikset  
Schlage  
Weiser  
C4  
Computer

**Standard Door Thickness:** 35–50mm  
**Customized Door Thickness:** 28–40mm



**587 SS ET**  
(65mm Rosette)



**587 AB ET**  
(65mm Rosette)



**587 PB ET**  
(65mm Rosette)



**587 SP BK**  
(65mm Rosette)



**587 SS PS**  
(65mm Rosette)



**5871 AC ET**  
(75mm Rosette)



**5871-H SS ET**  
(75mm Rosette with higher edge)



**5791 SS ET**



**5791 SP ET**



**5791 PB ET**



**5791 SS/SP ET**



**5791 SB/PB ET**



**5791-H SS ET**  
(Rosette with higher edge)



**5831 SS ET**



**5831 SS/SP ET**



**5831 SB/PB ET**



**5832 SS/SP ET**



**5832 SB/PB ET**



**5881 SS ET**  
(58mm Knob, 80mm Rosette)



**5881 AC ET**  
(58mm Knob, 80mm Rosette)



**5881-H SS ET**  
(58mm Knob, 80mm Rosette with higher edge)



**5881-H PB ET**  
(58mm Knob, 80mm Rosette with higher edge)

# DEADBOLT

## Supplying Finish:

AB (US 5) ORB (US 10B) SS (US 32D)  
AC (US 11) PB (US 3) SP (US 32)  
CP (US 26) SB (US 4)

## Supplying Function:

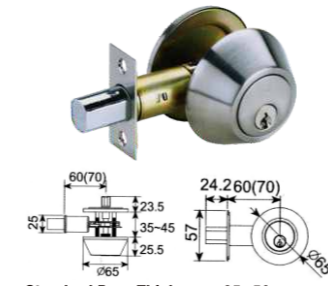
Entry  
Master Keying (Maximum 4 levels)  
Key-alike

## Standard Keyway: Kwikset

**Customized Keyway:**  
Yale Weiser  
Schlage C4

### MODEL NO. : D101

**MATERIAL:** Stainless Steel 304 or Brass



**Standard Door Thickness:** 35–50mm

### MODEL NO. : D102

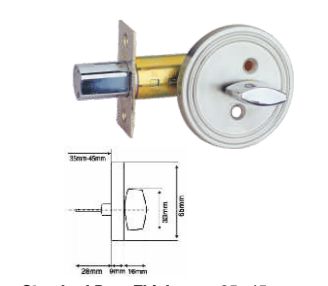
**MATERIAL:** Stainless Steel 304 or Brass



**Standard Door Thickness:** 35–45mm

### MODEL NO. : D105

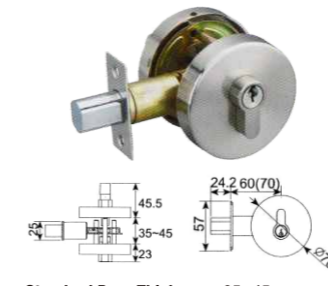
**MATERIAL:** Stainless Steel 304 or Brass



**Standard Door Thickness:** 35–45mm

### MODEL NO. : R101

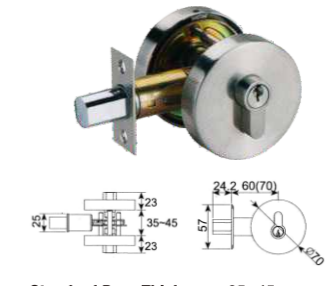
**MATERIAL:** Solid zinc alloy die-casting



**Standard Door Thickness:** 35–45mm  
**Customized Door Thickness:** 45–50mm

### MODEL NO. : R102

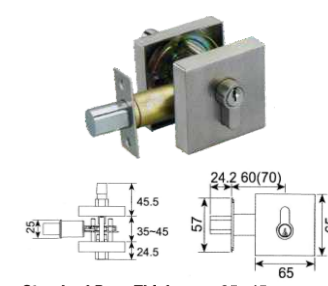
**MATERIAL:** Solid zinc alloy die-casting



**Standard Door Thickness:** 35–45mm  
**Customized Door Thickness:** 45–50mm

### MODEL NO. : S101

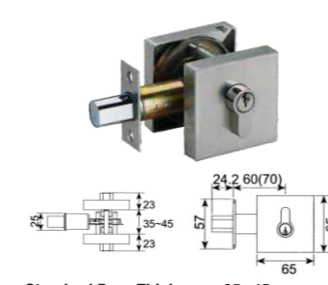
**MATERIAL:** Solid zinc alloy die-casting



**Standard Door Thickness:** 35–45mm  
**Customized Door Thickness:** 45–50mm

### MODEL NO. : S102

**MATERIAL:** Solid zinc alloy die-casting



**Standard Door Thickness:** 35–45mm  
**Customized Door Thickness:** 45–50mm

### MODEL NO. : DR101

**MATERIAL:** Solid zinc alloy die-casting



**Standard Door Thickness:** 35–45mm  
**Customized Door Thickness:** 45–50mm

### MODEL NO. : DR102

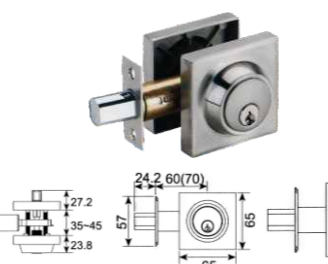
**MATERIAL:** Solid zinc alloy die-casting



**Standard Door Thickness:** 35–45mm  
**Customized Door Thickness:** 45–50mm

### MODEL NO. : DS101

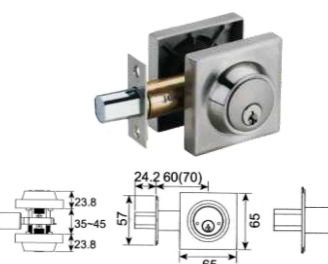
**MATERIAL:** Solid zinc alloy die-casting



**Standard Door Thickness:** 35–45mm  
**Customized Door Thickness:** 45–50mm

### MODEL NO. : DS102

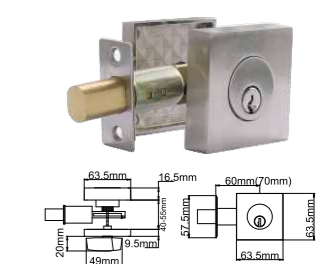
**MATERIAL:** Solid zinc alloy die-casting



**Standard Door Thickness:** 35–45mm  
**Customized Door Thickness:** 45–50mm

### MODEL NO. : D103

**MATERIAL:** Solid zinc alloy die-casting



**Standard Door Thickness:** 40–55mm

# COMBO LOCK

## Supplying Finish:

AB (US 5)    ORB (US 10B) SS (US 32D)  
 AC (US 11)    PB (US 3)    SP (US 32)  
 CP (US 26)    SB (US 4)

## Supplying Function:

Entry  
 Master Keying (Maximum 4 levels)

## Standard Keyway: Kwikset

**Customized Keyway:**  
 Yale    Weiser  
 Schlage    C4

## Standard Door Thickness:

35–45mm

## Customized Door Thickness:

45–50mm



3201 SN ET + DS101 SN ET



3216 SN ET + DR101 SN ET



3201 SN PS + S101 SN ET



3203 SN ET + R102 SN ET



3232 SN ET + DS102 SN ET



3233 SN ET + DR102 SN ET



650 SN ET + D101 SS ET



808 SN ET + D102 SS ET



815 SN ET + D101 SS ET



607 AB ET + D101 AB ET



607 SS ET + D102 SS ET -B



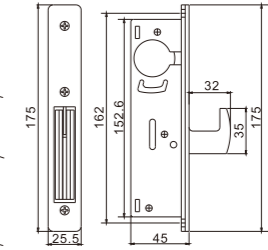
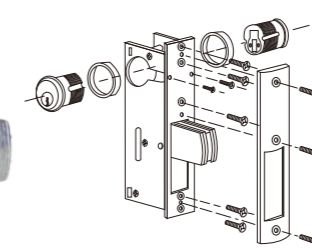
6082 SS/SP ET + D101 SS ET -B

## SERIES 5588 (FOR ALUMINUM DOOR)

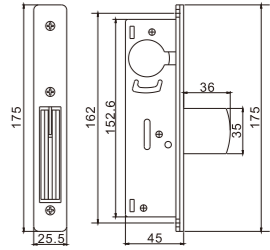
5588AR SN

5588A SN

5588B SN



5588A



5588B

### Package Information

Box packing  
 Qty/Ctn: 32 sets  
 G.W/Ctn: 30 kgs  
 Meas./Ctn: 40×27×23.5cm

### Function available

Single cylinder (entrance function)  
 Double cylinder (entrance function)  
 Door thickness: 45–48mm  
 3 Schlage keys

## SECURITY RIM LOCK

9333 SS/SN



### Package Information

Box packing  
 Qty/Ctn: 12 sets  
 G.W/Ctn: 19 kgs  
 Meas./Ctn: 49.5×40×22.5cm

### Door Thickness

Standard: 35–50mm  
 Extra: 60–70mm

9331 SS/SP



### Package Information

Box packing  
 Qty/Ctn: 20 sets  
 G.W/Ctn: 23 kgs  
 Meas./Ctn: 40.5×34.5×43.5cm

### Door Thickness

Standard: 35–50mm  
 Extra: 60–70mm

9332 SS/SP



## ELECTRIC LOCK

9682 SS/SP



### Package Information

Box packing  
 Qty/Ctn: 20 sets  
 G.W/Ctn: 30 kgs  
 Meas./Ctn: 42.8×40.5×42cm

### Door Thickness

Standard: 35–50mm  
 Extra: 60–70mm

# PROFILE CYLINDER

OEM and ODM orders are warmly welcome.

## MAIN SPECIFICATIONS

- High quality solid brass cylinder (Brass housing, plugs and pins).
- Phosphor copper or stainless steel material for springs.
- All keys are made by solid brass or cupronickel (Silver Brass).
- All turn knobs are made by solid brass.
- Processed with high class CNC machines for the greatest accuracy, stable and reliable performance.
- Pin-combination is much more than international standard.

## SUPPLYING FUNCTION

Double Cylinder (Key to Key)  
 Single Cylinder (Key to Knob)  
 Half Cylinder  
 Bathroom (Privacy)  
 Master keying (Maximum 4 levels)  
 Keyed-alike  
 Construction Key  
 Anti Drill

## SUPPLYING KEYWAY

Angle-cut-pin  
 Computer  
 Double-row-pin  
 Dual Keyway (one-side Single-row)  
 Pin, one-side Track-cut Pin  
 Yale  
 Kwikset  
 Schlage  
 Weiser

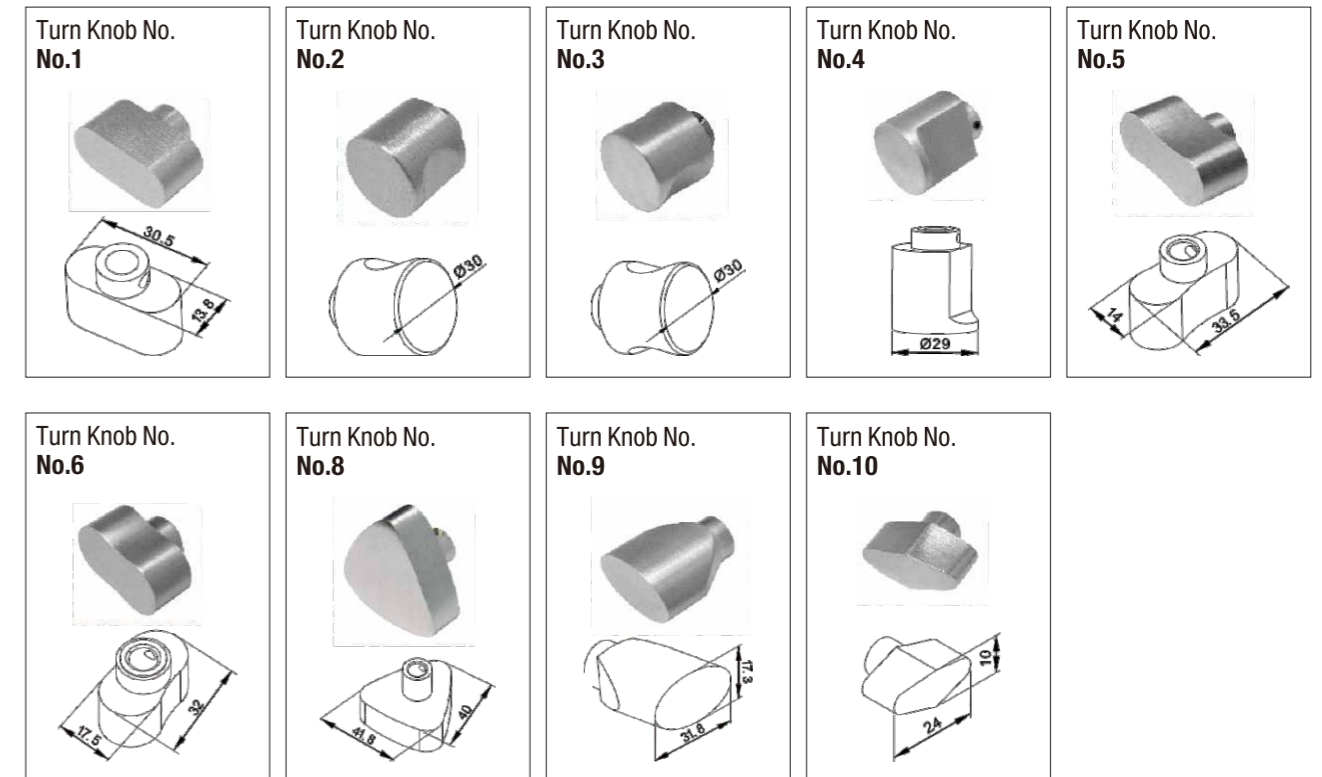
## SUPPLYING FINISH

AB (Antique Brass)  
 AC (Antique Copper)  
 PB (Polished Brass)  
 SB (Satin Brass)  
 SN (Satin Nickel)

## PACKAGE INFORMATION

Item	Packing	Qty/ctn (PCS)	G.W (Kgs)	Meas./ctn (cm)
60mm one-side key cylinder	Plain box	60	20	34x17x20.5
60mm both-side keys cylinder	Plain box	60	17	28x17x20.5
70mm one-side key cylinder	Plain box	60	21	34x17x20.5
70mm both-side keys cylinder	Plain box	60	18	28x17x20.5
80mm one-side key cylinder	Plain box	60	22.5	40x17x20.5
80mm both-side keys cylinder	Plain box	60	19	34x17x20.5
90mm one-side key cylinder	Plain box	60	23.5	40x17x20.5
90mm both-side keys cylinder	Plain box	60	20	34x17x20.5
100mm one-side key cylinder	Plain box	60	25	43x17x20.5
100mm both-side keys cylinder	Plain box	60	21.5	37x17x20.5

## SUPPLYING FINISH



### Single Cylinder (Key To Knob)



Size available: 60mm, 70mm, 80mm, 90mm, 100mm

### Double Cylinder (Key To Key)



Size available: 60mm, 70mm, 80mm, 90mm, 100mm

### Half Cylinder With Turn Knob



Size available: 40mm, 45mm, 50mm

### Half Cylinder With Key

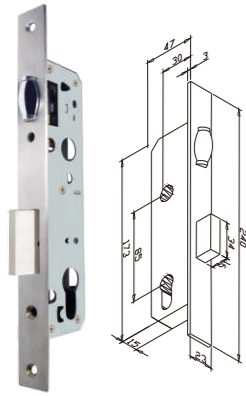


Size available: 40mm, 45mm, 50mm

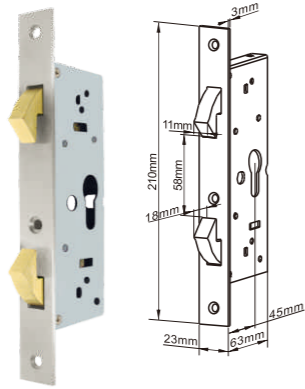
# LOCK CASE SERIES

# LOCK CASE SERIES

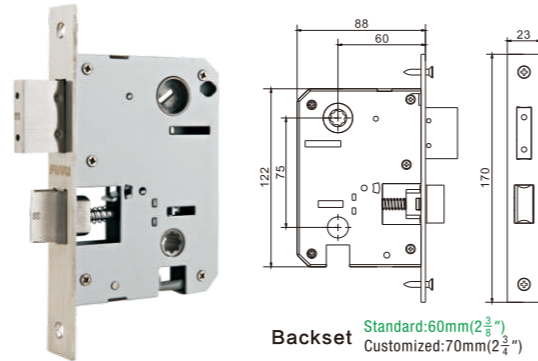
30×85mm  
Roller Latch Lock Case



Series 56 Double Compass  
Bolt Lock Case

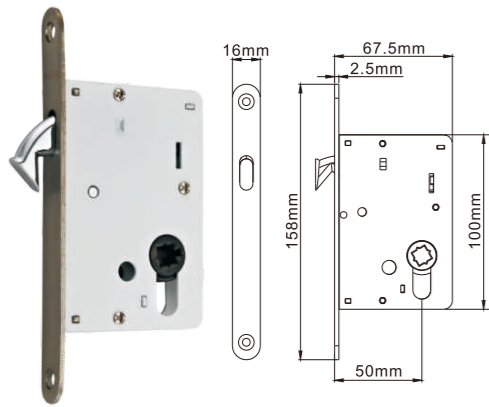


81 Series Lock Case

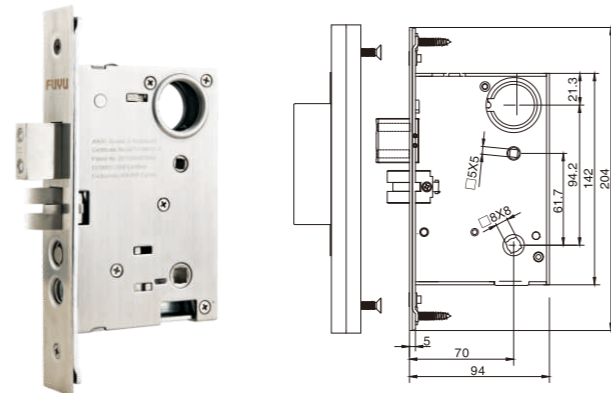


Backset Standard: 60mm (2 3/8")  
Customized: 70mm (2 3/4")

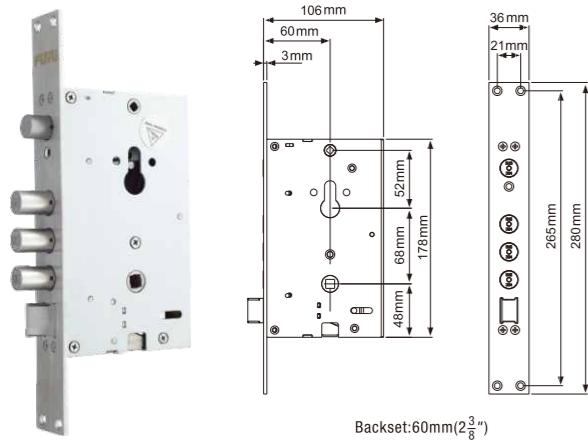
Series 550 Lock Case



Series 82 ANSI/BHMA Grade 2 Lock Case

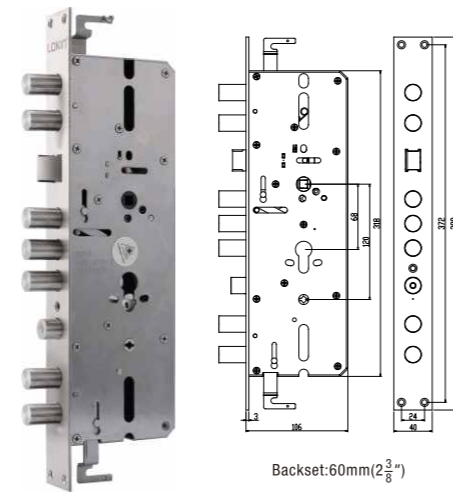


Series 89 Heavy Duty Version Mortise Lock



Backset: 60mm (2 3/8")

Series 89 King Version Mortise Lock



Backset: 60mm (2 3/8")

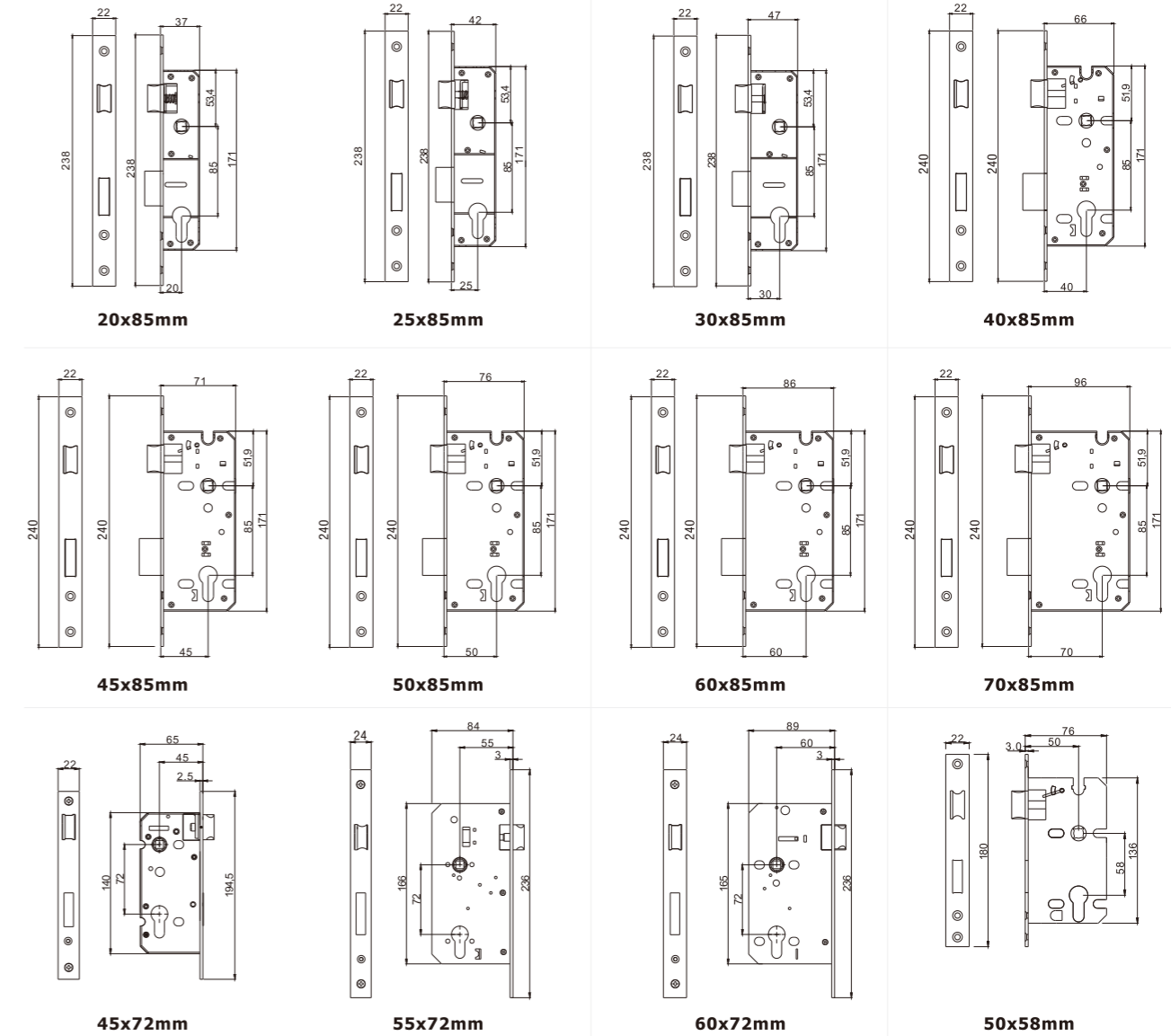
## FIRE-PROOF STAINLESS STEEL MORTISE LOCK CASE

- Investment-casting stainless steel cam, size 8×8mm
- Solid investment-casting stainless steel for latch and bolt
- Solid stainless steel forend (thickness 3.0mm) and strike plate (thickness 1.2mm)
- Stainless steel screws for installation



### Supplying Size

20×85mm	25×85mm	30×85mm	40×85mm
45×85mm	50×85mm	60×85mm	70×85mm
45×72mm	55×72mm	60×72mm	50×58mm



# LATCH AND BOLT

OEM and ODM orders are warmly welcome.

# KEY

**Item No.: L22-BK**  
Backset: 60mm



**Item No.: L22-PS**  
Backset: 60mm



**Item No.: L33**  
Backset: 50mm / 60mm / 70mm



**Item No.: L88**  
Backset: 60mm / 70mm



**Item No.: TL-A**  
Backset: 60-70mm adjustable  
90-100mm adjustable



**Item No.: 4 in 1 Latch**  
Backset: 60-70mm adjustable



**Item No.: D88**  
Backset: 60-70mm adjustable



**Item No.: DL-A**  
Backset: 60-70mm adjustable



**Item No.: 4 in 1 Bolt**  
Backset: 60-70mm adjustable



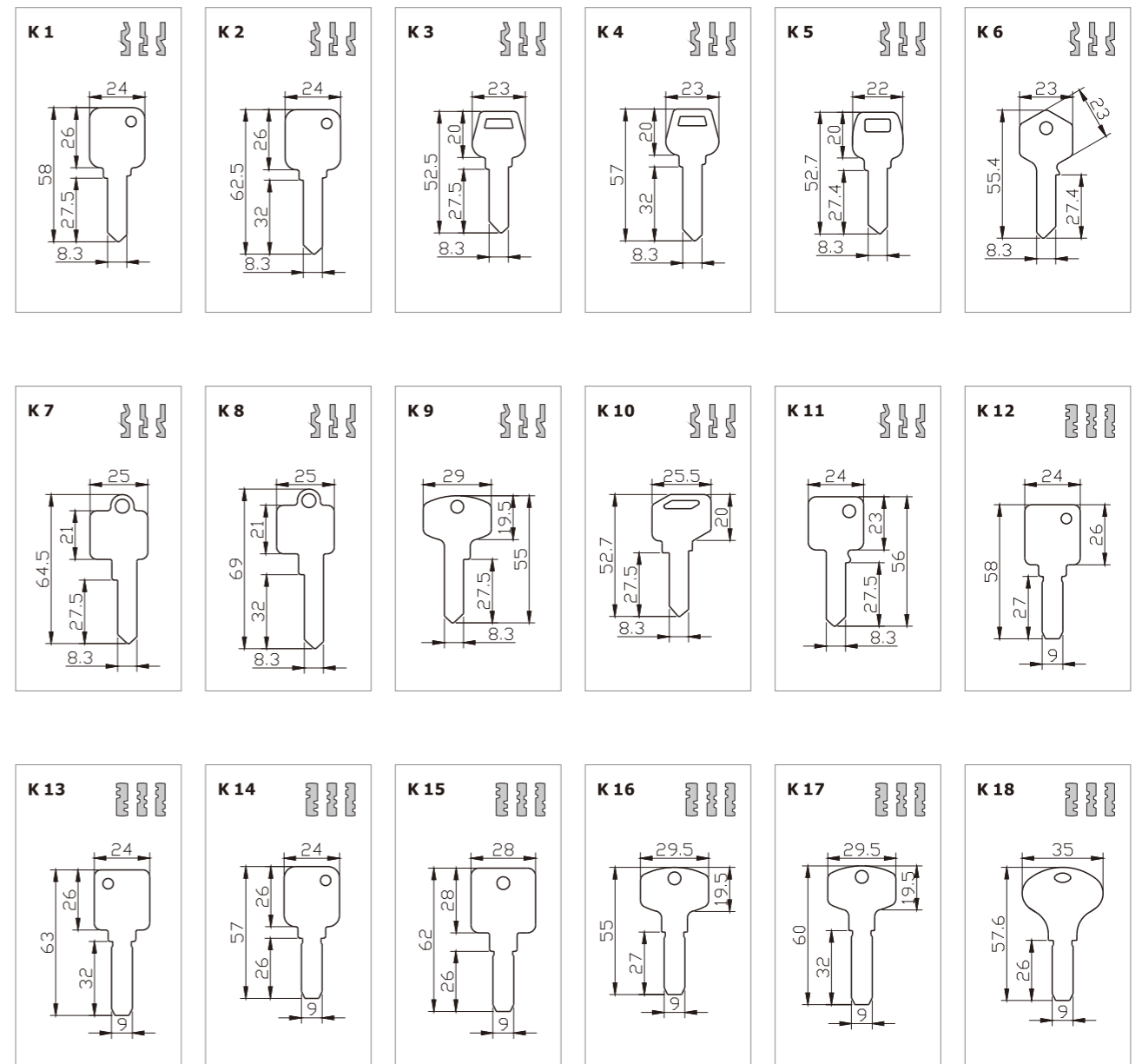
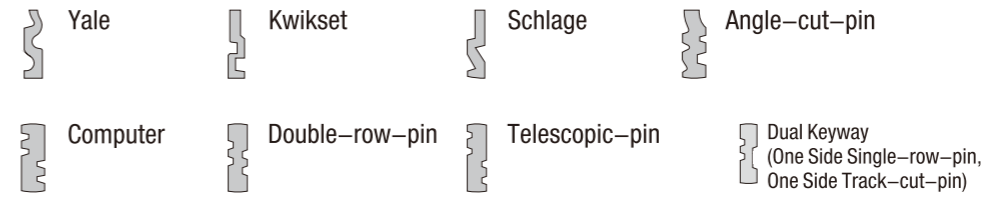
**Item No.: CL-A**  
Backset: 60mm / 70mm / 80mm  
90mm / 100mm / 127mm



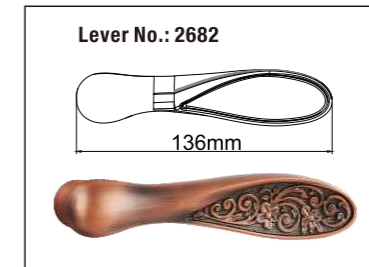
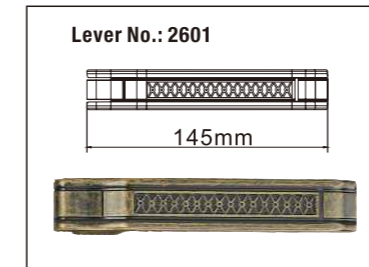
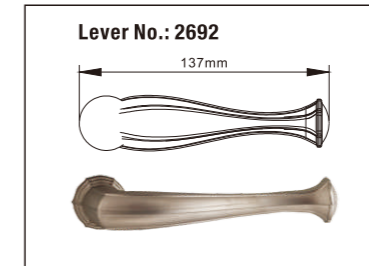
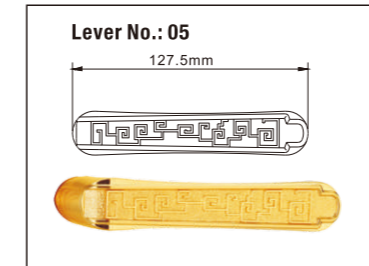
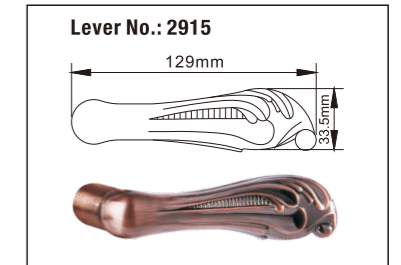
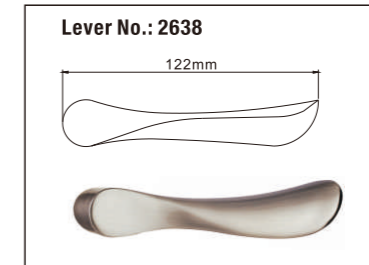
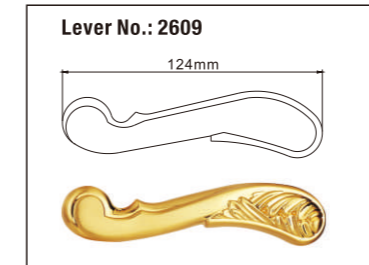
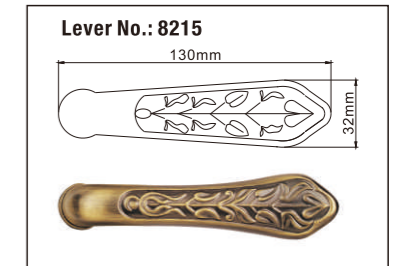
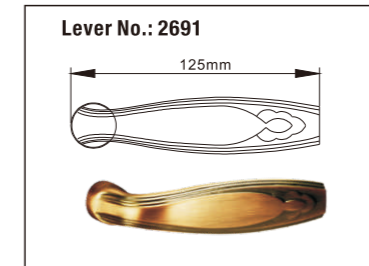
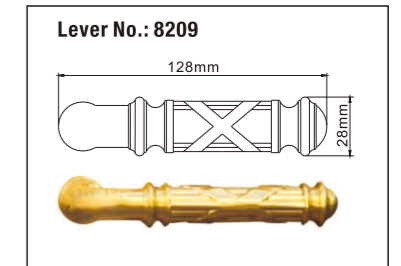
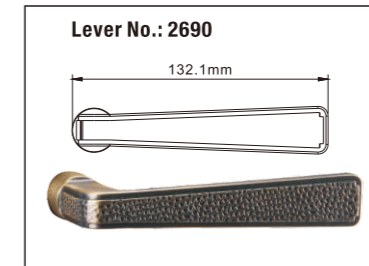
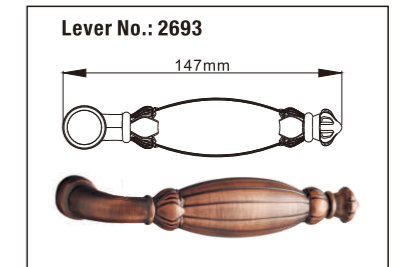
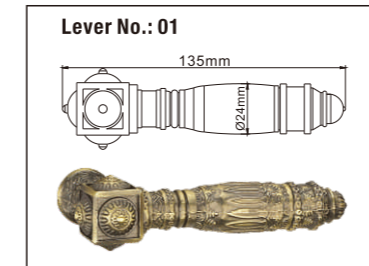
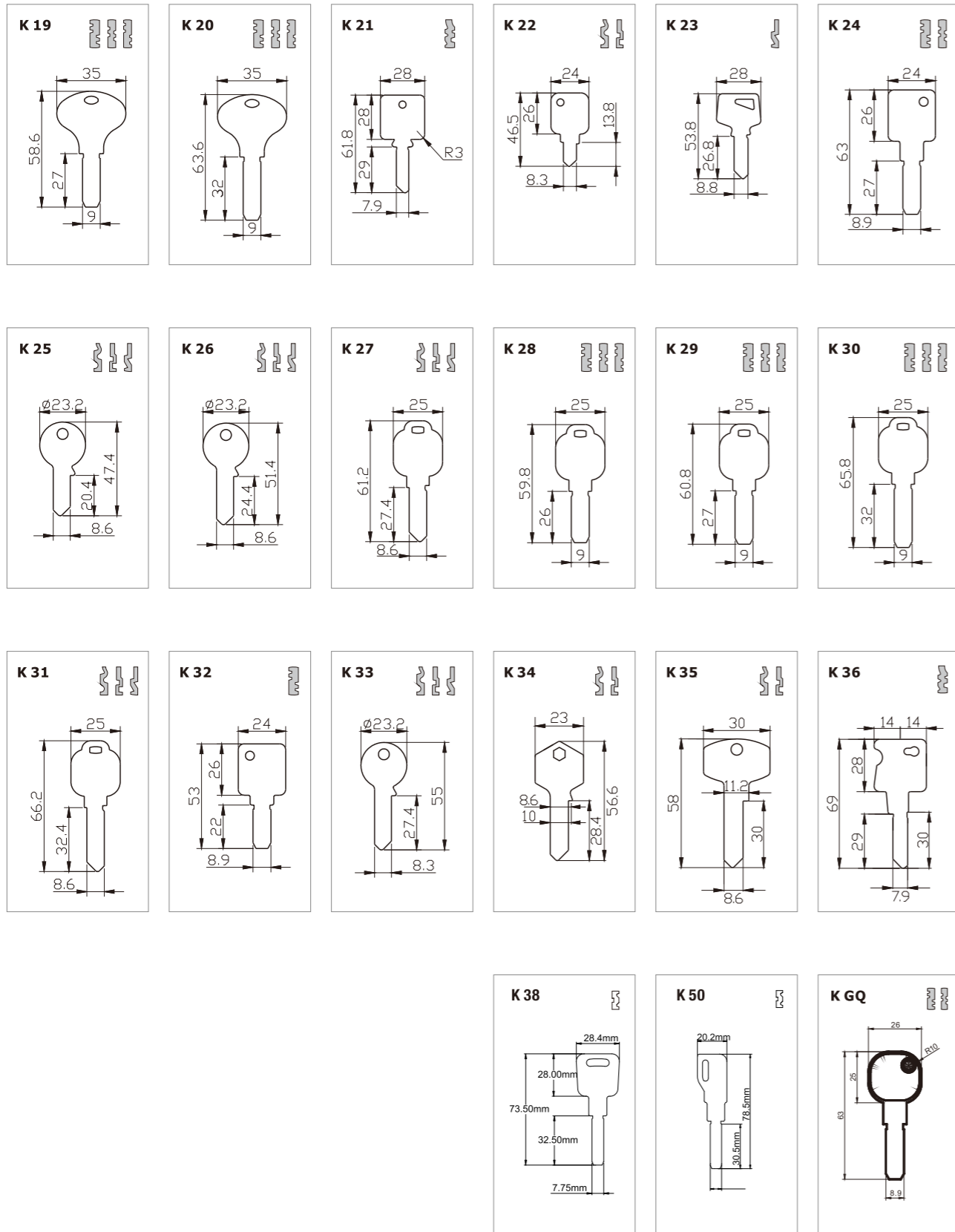
**Item No.: L28**  
Backset: 50mm, 60mm, 70mm



**Item No.: TL-45°**  
Backset: 60-70mm adjustable













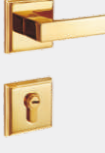



# LEVER STYLE LIST















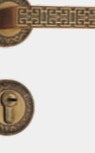


DESIGN COLLOCATION SUGGESTIONS

SOLID FORGED BRASS TRIM

Group No.		1	2	3	4
Entrance Door	81B		81B05-B CCH 	81B08 RG 	81B09 CCH 
	82B	82B03 PVD 	82B05 CCH 	82B08-B RG 	82B09 CCH 
	26B	26B03 PVD 	26B05 CCH 	26B08 RG 	26B09 CCH 
Interior Door	29B	29B03 PVD 	29B05 CCH 	29B08 RG 	29B09 CCH 
	22B	22B03 PVD 	22B05 CCH 	22B08 RG 	22B09 CCH 

DESIGN COLLOCATION SUGGESTIONS




























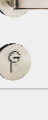

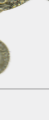










SOLID FORGED BRASS TRIM

5	6	7	8
82B10 DAB 	82B11-B DAB 	82B22-B RG 	82B33-B ACC 
26B10 DAB 	26B11 DAB 	26B22 RG 	26B33 ACC 
29B10 DAB 		29B22 RG 	29B33 ACC 
22B10 DAB 	22B11 DAB 	22B22 RG 	22B33 ACC 












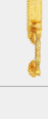

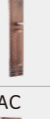


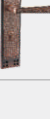



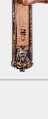








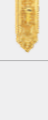
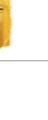
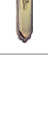


# DESIGN COLLOCATION SUGGESTIONS

## SOLID ZINC ALLOY DIE-CASTING TRIM

Group No.	1	2	3	4	5	6
Entrance Door	81 8103 SN/NP 	8106 DAB 	8109 DAB 	8116 DAB 	8119 SN/NP 	8120 SG 
	82 8203 SN/NP 	8208 DAB 	8211 DAB 	8216 DAB 	8219 SN/NP 	8220 SG 
	86 8603 SN/NP 	8606 DAB 		8616 DAB 	8619 SN/NP 	
	89		8909 DAB 	8916 DAB 	8919 SN/NP 	8920 SG 
	26 2619 SN/NP 	2605 DAB 		2635 DAB 	2638 SN/NP 	2659 SG 
Interior Door	28 2811 SN/NP 				2838 SN/NP 	
	22 2220 SN/NP 	2225 DAB 	2222 DAB 	2225 DAB 	2231 SN 	2225 SG 
	29					2910 SG 
Sliding Door	56 5512 SN 				5502 DAB 	5602 SG 
	550/551 5562 SN 			5563 DAB 	5562 SN 	
	556					

# DESIGN COLLOCATION SUGGESTIONS

## SOLID ZINC ALLOY DIE-CASTING TRIM

7	8	9	10	11	12	13
8122 SG 	8125 SG 	8130 DAC 	8133 SN/NP 	8135 DAC 		
		8230 DAC 	8206 SN 	8235 DAC 		
		8620 DAC 				
8922 SG 	8925 SG 	8930 DAC 		8935 DAC 		
	2683 SG 	2690 DAC 	2612 SN/NP 	2692 DAC 	2608 AB 	2682 DAC 
			2822 SN/NP 		2813 AB 	
2229SG 		2239 DAC 	2219 SN/NP 	2235 DAC 	2216 AB 	2208 DAC 
2901SG 	2920 SG 					
					5603 DAB 	
			5501 SN 			
			5565 SN 		5565 DAB 