

COMPANY PROFILE

公司简介

香港春天家具有限公司是集研发、生产、销售和服务于一体的企业。主营产品有：学校家具系列、办公转椅、公共椅系列、办公配套系列、酒店家具系列、塑料椅系列、餐台、办公沙发等产品。其旗下的品牌有：SPRING FURNITURE, PSB SEATING. 总公司在马来西亚，旗下分公司韩国，中国。

公司主打品牌“SPRING”已享誉国外，在国外市场畅销十年的“SPRING”品牌，营销的市场有：英国、波兰、西班牙、美国、加拿大、澳大利亚、秘鲁、摩洛哥、加纳、南非、阿尔及利亚、马来西亚、韩国、新加坡、印度尼西亚、印度、斯里兰卡、孟加拉、约旦、土耳其、阿拉伯联合酋长国等。

创造完美的质量是“SPRING”的一贯追求，坚持每件产品都使用高标准的原材料、先进的工艺设备和完美的工艺加工，将科学技术与座椅艺术有机融合到生产与设计之中。经过多年的努力，公司以规范的管理，良好的市场信誉，过硬的产品质量，完善的售后服务赢得了国外市场的充分认可。

得益于中国家具市场的高速发展，总公司于2011年在大陆成立了“木偶人家具有限公司”。公司位于“中国家具之都”顺德区龙江镇。木偶人将秉承 SPRING 的精神，坚持创造完美的质量，本着“服务大众，精益求精”的宗旨，不断研发出具有时代特色的新产品、以满足不断发展的国内市场需求。

希望我们每天的努力和付出能得到大家的认可！服务，无限延伸！

HONG KONG SPRING FURNITURE CO.,LTD is a manufacturer integrating professional design, production and sales of office furniture. The products include School furniture, swivel chair, public chair, hotel chair, plastic chair, dinner table, office sofa and so on. The brand is SPRING FURNITURE & PSB SEATING. The head office is in Malaysia, the branch office is in Korean and China.

The main brand SPRING has rich experience around 10 years abroad. The market is in England, Poland, Spain, America, Canada, Australia, Secret-far, Morocco, Ghana, South Africa, Algeria, Malaysia, Korean, Indonesia, India, Sri Lanka, Bengal, Jordan, Turkey, The United Arab Emirates and so on.

Create the perfect quality is “SPRING” consist entpursuit, insist on each product use high standards of raw materials and advanced equipments. After years of efforts, the company with standard management, and good reputation in the market, perfect quality, good after-sales service to win the market's full approval.

Thanks to the rapid development of China Furniture market. In 2011, we founded the “PUPPET FURNITURE CO.,LTD” in China. The company is located in the “CHINA FURNITURE CENTER SHUNDE LONGJIANG”. Puppet furniture will continue to pursue the spirit of SPRING, create good-quality products. Our purpose is “Serving everyone, try do the best”, and constantly develop new products follow the developing China furniture Market.

We work hard and do the best! Service, unlimited extension!

THE OUR COUNTRY TEACHING FACILITIES PRESENT CONDITION

我国教学设施现状

挤不下，坐不正，伸不直 学生课桌椅匹配合格率仅一成“孩子们的整个求学生涯，陪伴他们时间最长的就是课桌椅，如果每天跟他们亲密接触的课桌椅跟他们的身高不匹配，或是没有得到正确使用的话，就会对孩子的视力、颈椎、腰椎等造成直接伤害。”

Our Mission

Our mission is to provide our valued clients the optimum seating solutions offering a wide range of seating systems, architected with intricate design for style, comfort and elegance.

- 1 我国教育事业从开办有规模的学校算起，已有 100 多年历史，学生用的课桌椅一直延续采用传统的杂木制造。改革开放后的 80 年代初，大城市的少数木制品厂学习国外经验，从采用钢木合一制造家具开始，然后采用同样方法生产我国第二代校用学生课桌椅，代替了部分木制品。
- 2 钢木课桌椅虽然经过 20 多年的发展，已采用机械法生产，但因会松钉、易生锈、使用寿命短等多方面弊病，目前还不能完全替代第一代课桌椅。而在中西部大部分地区的农村学校，学生仍大多在使用杂木制造的第一代课桌椅。而多年使用的事实也证明，钢木制造的学生课桌椅的品质并不比被教育界公认的第一代木制课桌椅好多少，所以开发时间里已持续二十多年，发展速度却十分缓慢，目前也还只能作为过渡产品，代替部分木制品。
- 3 科技发展日新月异，国外发达国家的高楼大厦的门窗采用的原料已走过“木—铁—铝合金”三个阶段，10 多年前已开始全部进入以硬塑代替铝合金时期。近几年来，科技人员设计了大批的塑钢零件来代替汽车、火车、轮船、飞机上的木、铁、铝等零件，性能还远远优于前者。以塑代木，以塑代钢，以塑代铜铝已是科技进步的必然趋势，也是今后我国制造业发展的必经之路，课桌椅也不例外。
- 4 未来的课桌椅不仅可以调节高度，还有种连式课桌椅，由可调高度的课桌、课椅和可调节距离的连接板组成，它解决了现有中、小学生课桌椅不能调节桌高、椅高、桌椅距离的问题，适用于各个年龄档次、各种体形的学生使用，可针对每个学生的个体情况调节至完全符合课桌椅卫生标准的状态。



TAKE LEARNING AS
TO
ENJOY !!

Our Vision

To stay ahead of competition by being the leaders in the seating conglomerates by providing high quality products with competitive pricing.

从近年来的监测情况来看，中小学生的课桌椅匹配符合率一直处在一个非常低的水平，合格率都只在一成左右徘徊。课桌椅的匹配符合率为何一直这么低？怎样保证孩子们坐姿健康？

See from the monitor circumstance in recent years, the primary and junior high school living a lesson table chair's matching to match a rate have been being placed in a low-down level, qualified rates all is or so in 10% go back and forth. The lesson table chair matches to match to lead why always so low? How should promise sitting posture health of children?

木偶人学生椅：专注健康座椅

DEVOTE ONE'S MIND A HEALTHY CHAIR

可能有的人以为，椅子上能挤得下屁股就好了，但科学研究告诉我们，对于长时间坐着的学生来说，除了屁股外，把大腿的 2/3—3/4 坐在椅子上是最舒适的。

木偶人专注学生健康座椅，科学化设计，人性化细节。在如今坐着的学习现状下，只有坐得健康，才能坐享知识，坐拥未来。

The person who may have thinks that can push on the chair next bottom like, but science research tells us, the student who sit to the long time comes to say, in addition to bottom, 2/3 of the thigh 3-3/4 sit on the chair is the most comfortable.

The puppet person devotes one's minds a student to healthily sit chair, scientific design, humanize a detail. Under the study present condition sat at present, only sit healthily, so as to sit to enjoy knowledge, sit to hug future.

学海无涯，坐享书香熏染

THE OCEAN OF LEARNING IS LIMITLESS, SIT TO ENJOY FRAGRANCE OF BOOKS SMOKED DYE

古人说：“学海无涯苦作舟”，学习本身是一种繁重的劳动，它需要足够的耐心和吃苦精神。然而时代的今天，我们不应把学习看成一种苦不堪言的事情。木偶人主张“以学为乐”的精神，积极良好的学习精神，带来轻松的学习过程。同样，在学习中，一张适合学生的课桌椅就显得尤为重要。木偶人学生椅，从人性化及人体力学的角度出发设计，坚固牢靠、舒适耐用，尤其适合现代学生身体习性需要。

The ancients says: "The ocean of learning limitless bitterness makes boat", study oneself is a kind of heavy labor, it needs enough patience and bears suffering spirit. However today in ages, we should not see the study as a kind of misery affair. Actively good study spirit puppet person advocates the spirit of "take learning as to enjoy", brings an easy learning process. Equally, in the study, a lesson table that suits a student chair seems to be particularly is importance. The puppet person's student's chair, from humanization and human body mechanics of the angle set out a design, hard firm and reliable and comfortable enduring, particularly suitable modern student's body temperament demand.

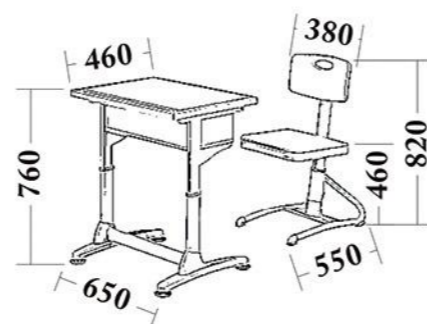


MOR-KZ-01

材料说明 Material Description

桌面板: 欧洲标准E-0级基材, 桌面磁性白板, 环保耐水耐刮易清洁, 可以画画, 主桌面五段式卡槽设计可轻松拉起至固定, 最新设计螺丝紧固可轻松调节桌椅高度, 桌面外套塑胶可防止书本掉落和保护手腕
桌椅脚: 冷轧钢管, 灰白色喷涂
书兜: 铁书斗一次性成型, 尺寸是445x310xH150mm
椅座背: PP胶壳, 椅坐胶壳按人体工学设计, 圆孔透气, 坐起来比较舒适

Table board: Melamine board one-time moulding process with PP edge.
Table & chair frame: Cold rolled steel tube, powder coating in white.
Book drawer: Iron plate, size is 445x310x150mm.
Chair seat & back: High quantity PP, design according to body, comfortable and nice.

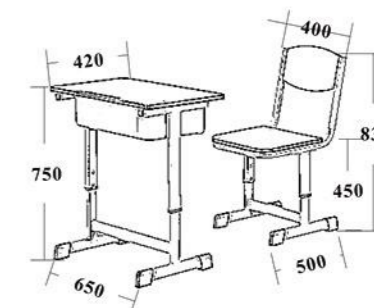


MOR-KZ-02

材料说明 DESCRIPTION

桌面板: 18mm中密度刨花板芯, 三氨面模具注塑成型PP胶封边
桌站脚: 冷轧钢管, 30x60x1.2mm厚, 白色喷涂
书兜: 铁书斗一次性成型, 0.8mm厚, 尺寸是445x310xH150mm
椅座背: 18mm中密度刨花板芯, 三氨面模具注塑成型PP胶封边
椅站脚: 冷轧钢管, 30x60x1.2mm厚, 白色喷涂

Table Top: Melamine board one-time moulding process with PP edge, 18mm thickness.
Table frame: Cold rolled steel tube, size is 60x30, powder coating in white.
Book drawer: One-time moulding process with 0.8mm thickness.
Chair seat & back: Melamine board one-time moulding process with PP edge, 18mm thickness.
Chair frame: Cold rolled steel tube, size is 60x30x1.2mm, powder coating in white.



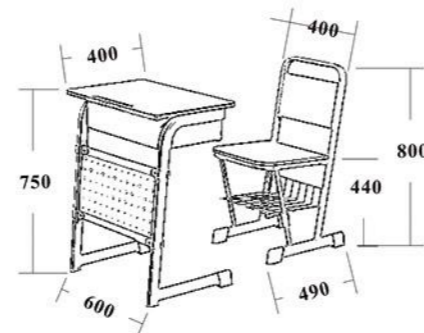


MOR-KZ-03

材料说明 Material Description

桌面板: 18mm 中密度刨花板芯, 三氨面模具注塑成型 PP 胶封边
 桌站脚: 冷轧钢管, 50x25x1.5mm 厚, 灰白色喷涂
 书兜: 铁书兜一次性成型, 0.8mm 厚
 椅座背: 中密度刨花板芯三氨面同色封边
 椅背架: 冷轧钢管, 50x25x1.5mm 厚, 灰白色喷涂
 椅书网: 4mm 冷拉钢丝, 大书网

Table Top: Melamine board one-time moulding process with PP edge, 18mm thickness.
 Table frame: Cold rolled steel tube, size is 50x25x1.5mm, powder coating in light grey.
 Book drawer: One-time moulding process, 0.8mm thickness.
 Chair seat & back: Melamine board, same color edge.
 Chair frame: Cold rolled steel tube 50x25x1.5mm, powder coating in light grey.
 Chair net: Iron wire, ϕ 4mm, big size net.

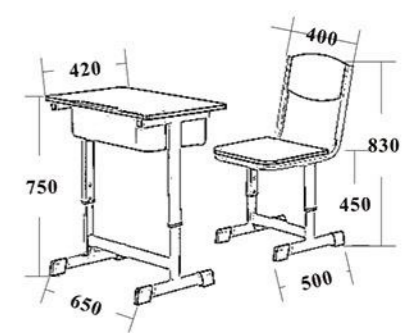


MOR-KZ-04

材料说明 DESCRIPTION

桌面板: 18mm 中密度刨花板芯, 三氨面模具注塑成型 PP 胶封边
 桌站脚: 冷轧钢管, 50x25x1.5mm 厚, 白色喷涂
 前挡板: 铁挡板, 0.8mm 厚
 书兜: 铁书兜一次性成型, 0.8mm 厚
 椅座背: 18mm 中密度刨花板芯, 三氨面模具注塑成型 PP 胶封边
 椅站脚: 冷轧钢管, 50x25x1.2mm 厚, 白色喷涂

able board: Melamine board one-time moulding process with PP edge, 18mm thickness.
 Table frame: Cold rolled steel tube, size is 50x25x1.5mm, powder coating white.
 Table front: Cold rolled steel, 0.8mm thickness.
 Book drawer: One-time moulding process, 0.8mm thickness.
 Chair seat & back: Melamine board one-time moulding process with PP edge, 18mm thickness.
 Chair frame: Cold rolled steel tube, size is 50x25x1.5mm, powder coating in white.



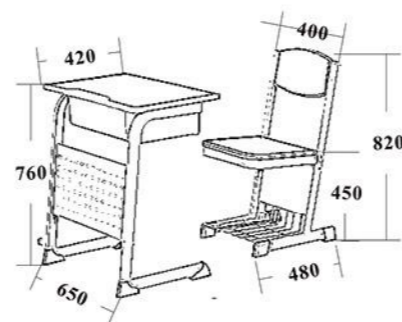


MOR-KZ-05

材料说明 Material Description

桌面板: 18mm 中密度刨花板芯, 三氨面模具注塑成型 PP 胶封边
 桌站脚: 冷轧钢管, 50x25x1.5mm 厚, 白色喷涂
 前挡板: 铁挡板, 0.8mm 厚
 书兜: 铁书兜一次性成型, 0.8mm 厚
 椅座背: 18mm 中密度刨花板芯, 三氨面模具注塑成型 PP 胶封边
 椅站脚: 冷轧钢管, 50x25x1.2mm 厚, 白色喷涂

Table board: Melamine board one-time moulding process with PP edge, 18mm thickness.
 Table frame: Cold rolled steel tube, size is 50x25x1.5mm, powder coating in white.
 Table front: Cold rolled steel, 0.8mm thickness.
 Book drawer: One-time moulding process, 0.8mm thickness.
 Chair seat & back: Melamine board one-time moulding process with PP edge, 18mm thickness.
 Chair frame: Cold rolled steel tube, size is 50x25x1.5mm, powder coating in white

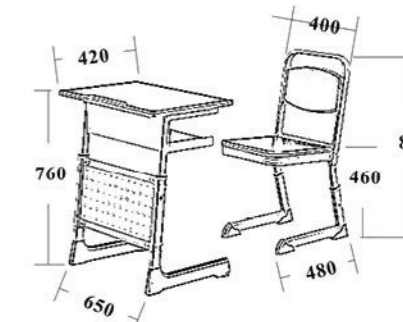


MOR-KZ-06

材料说明 DESCRIPTION

桌面板: 18mm 中密度刨花板芯, 三氨面模具注塑成型 PP 胶封边
 桌站脚: 冷轧钢管, 50x25x1.5mm 厚, 灰白色喷涂
 前挡板: 铁挡板, 0.8mm 厚
 书兜: 铁书兜一次性成型, 0.8mm 厚
 椅座背: 18mm 中密度刨花板芯, 三氨面模具注塑成型 PP 胶封边
 椅站脚: 冷轧钢管, 50x25x1.2mm 厚, 灰白色喷涂

Table board: Melamine board one-time moulding process with PP edge, 18mm thickness.
 Table frame: Cold rolled steel tube, size is 50x25x1.5mm, powder coating in white-grey.
 Table front: Cold rolled steel, 0.8mm thickness.
 Book drawer: One-time moulding process, 0.8mm thickness.
 Chair seat & back: Melamine board one-time moulding process with PP edge, 18mm thickness.
 Chair frame: Cold rolled steel tube, size is 50x25x1.5mm, powder coating in white-grey.



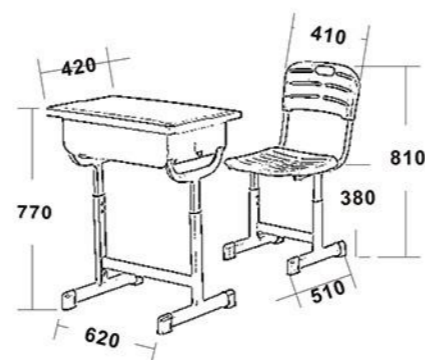


MOR-KZ-07

材料说明 Material Description

桌面板: 优质工程塑料 ABS 胶面板
 桌站脚: 冷轧钢管, 50x25x1.5mm 厚, 白色喷涂
 书兜: 铁书兜一次性成型, 0.8mm 厚
 椅座背: 优质工程塑料 ABS 胶面板, 椭圆孔透气, 坐起来比较舒适
 椅站脚: 冷轧钢管, 50x25x1.2mm 厚, 白色喷涂

Table board: High quantity ABS top table.
 Table frame: Cold rolled steel tube, size is 50x25x1.5mm, powder coating in white.
 Table front: Cold rolled steel, 0.8mm thickness.
 Book drawer: One-time molding process, 0.8mm thickness.
 Chair seat & back: High quantity ABS top table, comfortable and nice.
 Chair frame: Cold rolled steel tube, size is 50x25x1.5mm, powder coating in white.

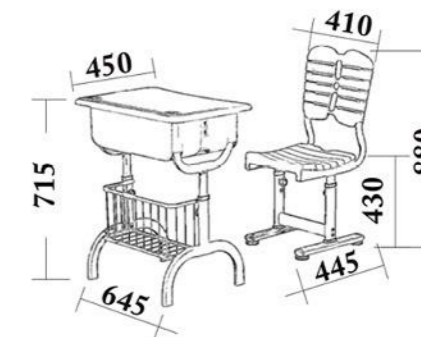


MOR-KZ-08

材料说明 DESCRIPTION

桌面板: 优质工程塑料 ABS 胶面板
 桌站脚: 冷轧钢管, 50x25x1.5mm 厚, 灰色喷涂
 书兜: 铁书兜一次性成型, 0.8mm 厚
 椅座背: 优质工程塑料 ABS 胶面板, 椭圆孔透气, 坐起来比较舒适
 椅站脚: 冷轧钢管, 50x25x1.2mm 厚, 灰色喷涂

Table board: High quantity ABS top table.
 Table frame: Cold rolled steel tube, size is 50x25x1.5mm, powder coating in grey.
 Table front: Cold rolled steel, 0.8mm thickness.
 Book drawer: One-time molding process, 0.8mm thickness.
 Chair seat & back: High quantity ABS top table, comfortable and nice.
 Chair frame: Cold rolled steel tube, size is 60x30x1.2mm, powder coating in grey.



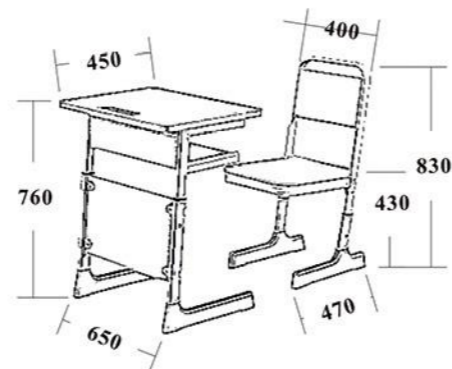


MOR-KZ-09

材料说明 Material Description

桌面板: 高密度刨花板芯, 三氨面, 同色封边
 桌站脚: 冷轧钢管, 50x25x1.2mm 厚, 白色喷涂
 书兜: 高密度刨花板芯, 三氨面, 同色封边, 16mm 厚
 椅座背: 高密度刨花板芯, 三氨面, 同色封边
 椅背架: 冷轧钢管, 50x25x1.2mm 厚, 白色喷涂

Table Top: High quality melamine board, same color edge.
 Table frame: Cold rolled steel tube, size is 50x25x1.2mm, powder coating in white.
 Book drawer: High quality melamine board, same color edge.
 Chair seat & back: High quality melamine board, same color edge.
 Chair frame: Cold rolled steel tube 50x25x1.5mm, powder coating in white.

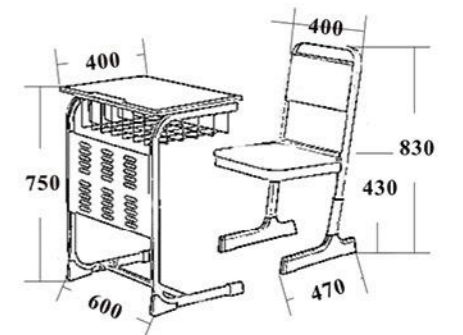


MOR-KZ-10

材料说明 DESCRIPTION

桌面板: 18mm 中密度刨花板芯, 三氨面模具注塑成型 PP 胶封边
 桌站脚: 冷轧钢管, 40x20x1.2mm 厚, 灰色喷涂
 书兜: 4mm 冷拉钢丝, 大书网
 前挡板: 铁挡板冲孔网, 0.8mm 厚
 椅座背: 高密度刨花板芯, 三氨面, 同色封边
 椅站脚: 冷轧钢管, 40x20x1.2mm 厚, 白色喷涂

Table board: Melamine board one-time moulding process with PP edge, 18mm thickness.
 Table frame: Cold rolled steel tube, size is 40x22x1.2mm, powder coating in grey.
 Book drawer: Iron wire, ϕ 4mm, big size net.
 Table front: Cold rolled steel, 0.8mm thickness.
 Chair seat & back: High quality melamine board, same color edge.
 Chair frame: Cold rolled steel tube, size is 40x20x1.2mm, powder coating in white.



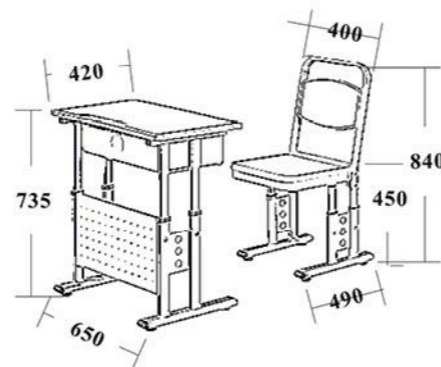


MOR-KZ-11

材料说明 Material Description

桌面板: 18mm 中密度刨花板芯, 三氨面模具注塑成型 PP 胶封边
 桌站脚: 冷轧钢管, 尺寸是 25x25x1.2mm 厚, 白色喷涂
 书兜: 铁书斗一次性成型, 0.8mm 厚
 前挡板: 铁挡板, 0.8mm 厚
 椅座背: 18mm 中密度刨花板芯, 三氨面模具注塑成型 PP 胶封边
 椅架: 25mm 直径铁管, 1.2mm 厚, 白色喷涂

Table board: Melamine board one-time moulding process with PP edge, 18mm thickness.
 Table frame: Cold rolled steel tube, size is 25x25x1.2mm, powder coating in white.
 Book drawer: One-time moulding process with 0.8mm thickness.
 Table front: Cold rolled steel, 0.8mm thickness.
 Chair seat & back: Melamine board one-time moulding process with PP edge, 18mm thickness.
 Chair frame: Cold rolled steel tube, ϕ 25x1.2mm thickness, powder coating in white.

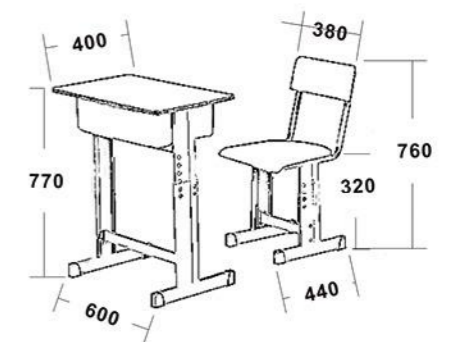


MOR-KZ-12

材料说明 DESCRIPTION

桌面板: 高密度夹板贴防火面, 尺寸是 600x400x16mm 厚
 桌站脚: 冷轧钢管, 尺寸是 25x50x1.2mm 厚, 灰色喷涂
 书兜: 铁书斗一次性成型, 0.8mm 厚
 椅座背: 高密度夹板贴防火面, 油漆封边
 椅背架: 22mm 直径铁管, 1.0mm 厚, 灰色喷涂
 椅脚: 冷轧钢管, 尺寸是 50x25x1.2mm 厚

Table board: High density plywood with fireproof board, size is 600x400x16mm thickness.
 Table frame: Cold rolled steel tube, size is 25x25x1.2mm, powder coating in grey.
 Book drawer: One-time moulding process with 0.8mm thickness.
 Chair seat & back: High density plywood with fireproof board.
 Chair frame: Cold rolled steel tube, 25x50x1.2mm, powder coating in grey.
 Chair leg: Cold rolled steel tube, ϕ 22mmx1.0mm thickness, powder coating in grey.



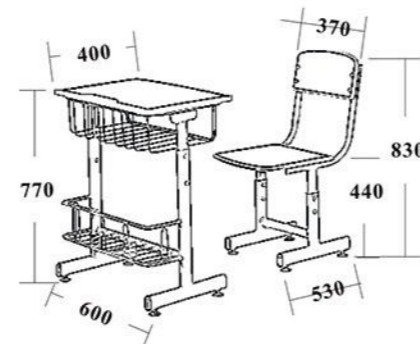


MOR-KZ-13

材料说明 Material Description

桌面板: 18mm 中密度刨花板芯, 三氨面模具注塑成型 PP 胶封边
 桌站脚: 冷轧钢管, 尺寸是 60x30x1.2mm 厚, 灰色喷涂
 书网: 4mm 冷拉钢丝, 大书网
 椅座背: 18mm 中密度刨花板芯, 三氨面模具注塑成型 PP 胶封边
 椅背架: 冷轧钢管, 尺寸是 60x30x1.2mm 厚, 灰色喷涂

Table board: Melamine board one-time moulding process with PP edge, 18mm thickness.
 Table frame: Cold rolled steel tube, size is 30x60x1.2mm, powder coating in grey.
 Book net: Iron wire, ϕ 4mm, big size net.
 Chair seat & back: Melamine board one-time moulding process with PP edge, 18mm thickness.
 Chair frame: Cold rolled steel tube, size is 60x30x1.2mm thickness, powder coating in grey.

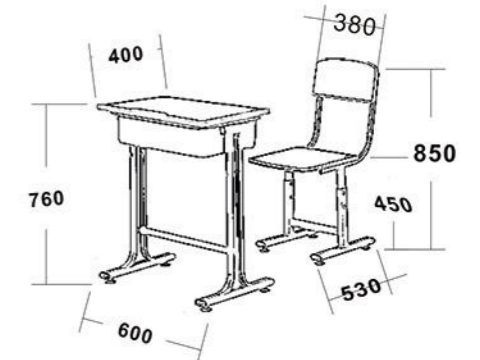


MOR-KZ-14

材料说明 DESCRIPTION

桌面板: 18mm 中密度刨花板芯, 三氨面模具注塑成型 PP 胶封边
 桌站脚: 冷轧钢管, 尺寸是 40x20x1.2mm 厚, 灰色喷涂
 书网: 铁书斗一次性成型, 0.8mm 厚
 椅座背: 18mm 中密度刨花板芯, 三氨面模具注塑成型 PP 胶封边
 椅背架: 冷轧钢管, 尺寸是 60x30x1.2mm 厚, 灰色喷涂

Table board: Melamine board one-time moulding process with PP edge, 18mm thickness.
 Table frame: Cold rolled steel tube, size is 40x20x1.2mm, powder coating in grey.
 Book net: One-time moulding process with 0.8mm thickness.
 Chair seat & back: Melamine board one-time moulding process with PP edge, 18mm thickness.
 Chair frame: Cold rolled steel tube, size is 60x30x1.2mm thickness, powder coating in grey.



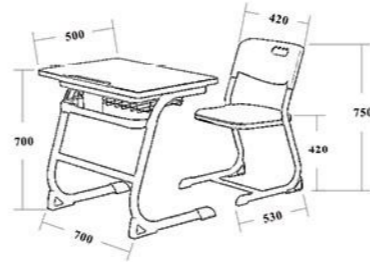


MOR-KZ-15

材料说明 Material Description

桌面板: 18mm 中密度刨花板芯, 三氯面模具注塑成型 PP 胶封边
 桌站脚: 冷轧钢管, 尺寸是 25x50x1.5mm 厚, 蓝色喷涂
 书 网: 实心铁丝网, 7mm 厚
 椅座背: 优质中空吹塑胶 HDPE 面板
 椅 架: 冷轧钢管, 20x40mm, 1.5mm 厚, 蓝色喷涂

Table board: Melamine board one-time moulding process with PP edge, 18mm thickness.
 Table frame: Cold rolled steel tube, size is 25x50x1.5mm thickness, powder coating in blue.
 Book net: Solid iron wire, thickness is 7mm.
 Chair seat & back: High quality blow moulded HDPE shell.
 Chair frame: Cold rolled steel tube, 20x40x1.5mm thickness, powder coating in blue.



MOR-KZ-16

材料说明 Material Description

桌面板: 18mm 中密度刨花板芯, 三氯面模具注塑成型 PP 胶封边
 桌站脚: 冷轧钢管, 尺寸是 25x50x1.5mm 厚, 蓝色喷涂
 书 网: 实心铁丝网, 7mm 厚
 椅座背: 优质中空吹塑胶 HDPE 面板
 椅 架: 冷轧钢管, 20x40mm, 1.5mm 厚, 蓝色喷涂

Table board: Melamine board one-time moulding process with PP edge, 18mm thickness.
 Table frame: Cold rolled steel tube, size is 25x50x1.5mm thickness, powder coating in blue.
 Book net: Solid iron wire, thickness is 7mm.
 Chair seat & back: High quality blow moulded HDPE shell.
 Chair frame: Cold rolled steel tube, 20x40x1.5mm thickness, powder coating in blue.

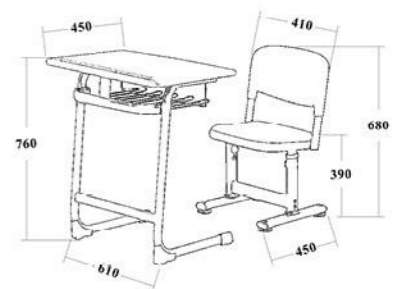


MOR-KZ-18

材料说明 Material Description

桌面板: 优质 HDPE 胶中空吹塑面板
 桌站脚: 冷轧钢管, 尺寸是 20x40x1.2mm 厚, 灰色喷涂
 书 网: 实心铁网, 6mm 厚
 椅座背: 优质 HDPE 胶中空吹塑板
 椅架子: 冷轧钢管, 30x60x1.2mm 厚, 灰色喷涂

Table board: High quality blow moulded HDPE top table.
 Table frame: Cold rolled steel tube, size is 20x40x1.2mm thickness, powder coating in grey.
 Book net: Solid iron wire, thickness is 6mm.
 Chair seat & back: High quality blow moulded HDPE shell.
 Chair frame: Cold rolled steel tube, 30x60x1.2mm thickness, powder coating in grey.

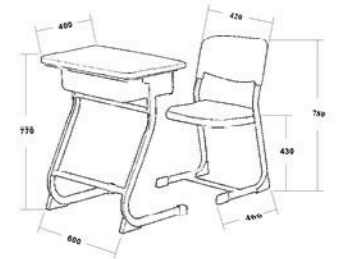


MOR-KZ-17

材料说明 Material Description

桌面板: 优质 ABS 胶注塑面板, 尺寸是 600x400mm
 桌站脚: 冷轧钢管, 尺寸是 20x40x1.2mm 厚
 书 兜: 铁书斗一次性成型, 0.8mm 厚
 椅座背: 优质中空吹塑胶 HDPE 面板
 椅 架: 冷轧钢管, 20x40x1.0mm 厚

Table board: High quality moulded ABS top table, size is 600x400mm.
 Table frame: Cold rolled steel tube, size is 20x40x1.2mm thickness, powder coating in grey.
 Book drawer: One-time moulding process with 0.8mm thickness.
 Chair seat & back: High quality moulded HDPE shell.
 Chair frame: Cold rolled steel tube, 20x40x1.0mm thickness, powder coating in grey.





MOR-KZ-19

材料说明 Material Description

桌面板:夹板芯贴三氨面,尺寸是 600x400x16mm 厚
 桌站脚:冷轧钢管,30x70x1.2mm 厚,灰白色喷涂
 书兜:铁书斗冲压成型,0.6mm 厚
 椅座背:夹板成型板,贴防火面,13mm 厚
 椅背架:22mm 直径铁管,1.2mm 厚,灰白色喷涂
 书网:4mm 厚冷拉钢丝,大书网

Table board:Plywood with melamine board,size is 600x400x16mm thickness.
 Table frame: Cold rolled steel tube,size is 30x70x1.2mm thickness,powder coating in grey.
 Book drawer:Iron plate,thickness is 0.6mm.
 Chair seat & back:High quality plywood with fireproof board,thickness is 13mm.
 Chair frame:Cold rolled steel tube,φ 22x1.2mm thickness,powder coating in grey.
 Book net:Solid iron wire,thickness is 4mm.

MOR-KZ-20

材料说明 Material Description

桌面板:优质工程塑料 ABS 胶面板,尺寸是 600x400mm
 桌站脚:冷轧钢管,尺寸是 30x70x1.2mm 厚,金色喷涂
 书兜:铁书斗一次性成型,0.8mm 厚
 椅座背:优质工程塑料 ABS 胶面板
 椅架子:冷轧钢管,30x70x1.2mm 厚,金色喷涂



MOR-KZ-21

材料说明 Material Description

桌面板:优质工程塑料 ABS 胶面板,尺寸是 600x400mm
 桌站脚:冷轧钢管,尺寸是 30x60x1.2mm 厚,灰白色喷涂
 书兜:铁书斗一次性成型,0.8mm 厚
 椅座背:优质工程塑料 ABS 胶面板
 椅架子:冷轧钢管,φ 20x1.2mm 厚,灰白色喷涂



MOR-KZ-22

材料说明 Material Description

桌面板:优质工程塑料 ABS 胶面板,尺寸是 600x400mm
 桌站脚:冷轧钢管,30x60x1.2mm 厚,灰白色喷涂
 书兜:铁书斗一次性成型,0.8mm 厚
 椅座背:优质工程塑料 ABS 胶面板
 椅架:冷轧钢管,20x20x1.2mm 厚,灰白色喷涂



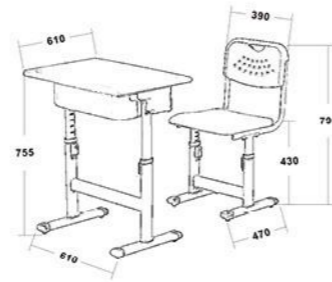


MOR-KZ-23

材料说明 Material Description

桌面板: 优质 HDPE 胶中空吹塑面板, 尺寸 610x455mm
 桌站脚: 冷轧钢管, 30x60x1.2mm 厚, 白色喷涂
 书兜: 铁书斗一次性成型, 0.8mm 厚
 椅座背: 优质 HDPE 胶中空吹塑面板
 椅架: 冷轧钢管, 30x60x1.2mm 厚, 白色喷涂

Table board: High quantity blow moulded HDPE shell, size is 610x455mm.
 Table frame: Cold rolled steel tube, size is 30x60x1.2mm, powder coating in white.
 Book drawer: One-time molding process with 0.8mm thickness.
 Chair seat & back: High quantity blow moulded HDPE shell.
 Chair frame: Cold rolled steel tube, 30x60x1.2mm thickness, powder coating in white.



MOR-KZ-25

材料说明 Material Description

桌面板: 18mm 中密度刨花板芯, 三氨面模具注塑成型 PP 胶封边
 桌站脚: 冷轧钢管, 尺寸: 30x60x1.4mm 厚, 灰色喷涂
 书兜: 铁书斗一次性成型, 0.6mm 厚
 椅座背: 优质 HDPE 胶中空吹塑面板
 椅架: 冷轧钢管, 20x40x1.2mm 厚, 灰色喷涂

Table board: Melamine board one-time moulding process with PP edge, 18mm thickness.
 Table leg: Cold rolled steel tube, size is 30x60x1.4mm, powder coating in grey.
 Book drawer: One-time molding process with 0.6mm thickness.
 Chair seat & back: High quality blow moulded HDPE shell.
 Chair frame: Cold rolled steel tube, 20x40x1.2mm thickness, powder coating in grey.



MOR-KZ-24

材料说明 Material Description

桌面板: 18mm 中密度刨花板芯, 三氨面模具注塑成型 PP 胶封边
 桌站脚: 冷轧钢管, 且管 30x60x1.2mm 厚, 灰色喷涂
 书兜: 铁书斗冲孔成型, 0.8mm 厚
 椅座背: 优质 HDPE 胶中空吹塑面板
 椅背架: 且管 30x60x1.2mm 厚, 灰色喷涂

Table board: Melamine board one-time moulding process with PP edge, 18mm thickness.
 Table frame: Cold rolled steel tube, size is 30x60x1.2mm, powder coating in grey.
 Book drawer: Iron plate, thickness is 0.8mm.
 Chair seat & back: High quality blow moulded HDPE shell.
 Chair frame: Cold rolled steel tube, 30x60x1.2mm thickness, powder coating in grey.

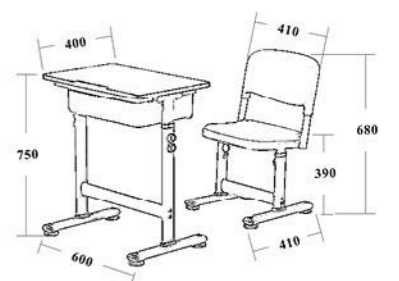


MOR-KZ-26

材料说明 Material Description

桌面板: 18mm 中密度刨花板芯, 三氨面模具注塑成型 PP 胶封边
 桌站脚: 冷轧钢管, 尺寸: 30x60x1.2mm 厚, 灰色喷涂
 书兜: 铁书斗一次性成型, 0.6mm 厚
 椅座背: 优质 HDPE 胶中空吹塑面板
 椅背架: 冷轧钢管, 尺寸: 30x60x1.2mm 厚, 灰色喷涂

Table board: Melamine board one-time moulding process with PP edge, 18mm thickness.
 Table leg: Cold rolled steel tube, size is 30x60x1.2mm, powder coating in grey.
 Book drawer: One-time molding process with 0.6mm thickness.
 Chair seat & back: High quality blow moulded HDPE shell.
 Chair back support: Cold rolled steel tube, size is 30x60x1.2mm, powder coating in grey.





MOR-KZ-27

材料说明 Material Description

桌面板: 优质工程塑料 ABS 胶面板, 尺寸 600x400mm
 桌站脚: 冷轧钢管, 20x40x1.2mm 厚, 灰色喷涂
 书兜: 铁书斗一次性成型, 0.6mm 厚
 椅坐背: 优质工程塑料 ABS 胶
 椅背架: 冷轧钢管, 尺寸 40x20x1.2mm 厚, 灰色喷涂

Table board: High quality moulded ABS top table, size is 600x400mm
 Table leg: Cold rolled steel tube, size is 20x40x1.2mm, powder coating grey.
 Book drawer: One-time molding process with 0.6mm thickness.
 Chair seat & back: High quality moulded ABS shell.
 Chair frame: Cold rolled steel tube, 20x40x1.2mm thickness, powder coating in grey.

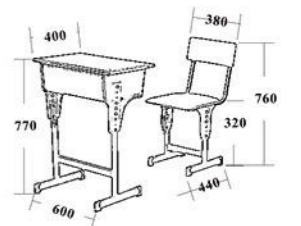


MOR-KZ-29

材料说明 Material Description

桌面板: 高密度防火板, 尺寸 600x400mmx18mm 厚
 桌站脚: 冷轧钢管, 20x50x1.2mm 厚, 灰色喷涂
 书网: 厚 0.6mm, 445x310x150mm
 椅座背: 成型夹板贴防火面
 椅背架: 冷轧钢管, 25x50x1.2mm 厚, 灰色喷涂

Table board: High quality fireproof plywood board, size is 600x400x18mm.
 Table leg: Cold rolled steel tube, size is 20x50x1.2mm, powder coating in grey.
 Book drawer: Iron plate, thickness is 0.6mm, size is 445x310x150mm.
 Chair seat & back: High quality fireproof plywood board.
 Chair frame: Cold rolled steel tube, 25x50x1.2mm thickness, powder coating in grey.

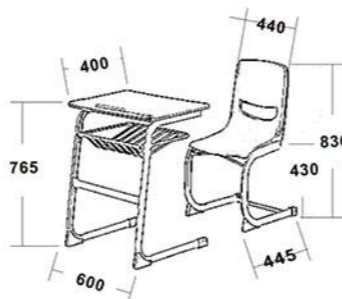


MOR-KZ-28

材料说明 Material Description

桌面板: 优质 HDPE 胶中空吹塑面板, 尺寸 600x400mm
 桌站脚: 冷轧钢管, 20x40x1.2mm 厚, 灰色喷涂
 书网: ϕ 17mm 冷拉钢丝
 椅座背: 优质工程塑料 ABS 胶面板
 椅背架: 冷轧钢管, 20x40x1.2mm 厚, 灰色喷涂

Table board: High quality blow moulded HDPE top table, size is 600x400mm.
 Table leg: Cold rolled steel tube, size is 20x40x1.2mm, powder coating grey, steel tube, ϕ 17mmx1.0mm thickness.
 Chair seat & back: High quality moulded ABS shell.
 Chair frame: Cold rolled steel tube, 20x40x1.2mm thickness, powder coating in grey.

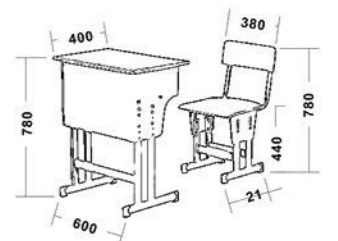


MOR-KZ-30

材料说明 Material Description

桌面板: 高密度夹板, 尺寸 600x400mmx18mm 厚
 桌站脚: 冷轧钢管, 20x50x1.2mm 厚, 灰色喷涂
 书网: 铁皮大书兜
 椅座背: 成型夹板贴防火面
 椅背架: 冷轧钢管, 20x50x1.2mm 厚, 灰色喷涂

Table board: High quality fireproof plywood board, size is 600x400x18mm.
 Table leg: Cold rolled steel tube, size is 20x50x1.2mm, powder coating grey.
 Book drawer: Iron plate, thickness is 0.6mm.
 Chair seat & back: High quality fireproof plywood board.
 Chair frame: Cold rolled steel tube, size is 20x50x1.2mm, powder coating grey.



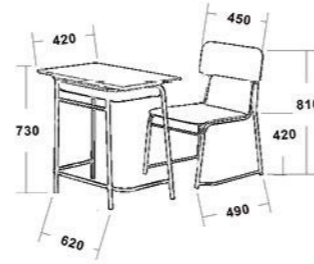


MOR-KZ-31

材料说明 Material Description

桌面板: 夹板心贴三氨面, 尺寸 620x420mmx20mm 厚
 桌站脚: 冷轧钢管, 22 圆管, 1.2mm 厚
 书网: 铁书斗一次性成型, 0.8mm 厚
 椅座背: 成型夹板, 贴防火面
 椅背架: 冷轧钢管, 22 圆管, 1.2mm 厚
 喷涂: 黑色喷涂

Table board: High quality plywood with melaine wood, size is 420x620x20mm.
 Table leg: Cold rolled steel tube, ϕ 22mm tube, 1.2mm thickness, powder coating in black.
 Book drawer: One-time molding process with 0.8mm thickness.
 Chair back & seat: High quality plywood with fireproof.
 Chair frame: Cold rolled steel tube, ϕ 22mm tube, 1.2mm thickness, powder coating in black.

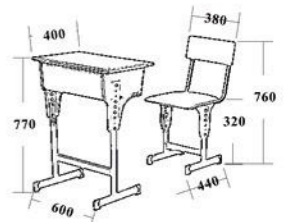


MOR-KZ-33

材料说明 Material Description

桌面板: 优质工程塑料 ABS 胶面板, 尺寸 600x400mm
 桌站脚: 冷轧钢管, 22 圆管, 1.2mm 厚, 黑色喷涂
 书网: 铁书斗一次性成型, 0.8mm 厚
 椅座背: 优质 HDPE 胶中空吹塑面板
 椅背架: 冷轧钢管, 22 圆管, 1.2mm 厚, 黑色喷涂

Table board: High quality moulded ABS shell, size is 600x400mm.
 Table leg: Cold rolled steel tube, ϕ 22mm tube, 1.2mm thickness, powder coating in black.
 Book drawer: One-time molding process with 0.8mm thickness.
 Chair back & seat: High quantity blow moulded HDPE shell.
 Chair frame: Cold rolled steel tube, ϕ 22mm tube, 1.2mm thickness, powder coating in black.

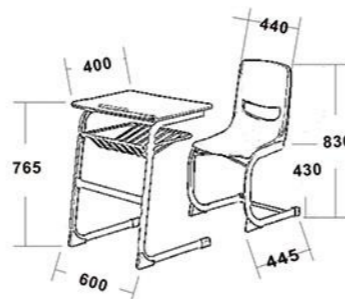


MOR-KZ-32

材料说明 Material Description

桌面板: 夹板心贴三氨面, 尺寸 600x400mmx18mm 厚
 桌站脚: 冷轧钢管, 22 圆管, 1.2mm 厚
 书网: 4mm 冷拉钢丝
 椅座背: 成型夹板, 贴防火面
 椅背架: 冷轧钢管, 22 圆管, 1.2mm 厚
 喷涂: 黑色喷涂

Table board: Melamine Board, size is 600x400x18mm
 Chair seat and back: High quality plywood with fireproof top.
 Chair frame: Cold rolled steel tube, ϕ 22x1.2mm
 Painting color: Black color.
 Table leg: Cold rolled steel tube, ϕ 22x1.2mm

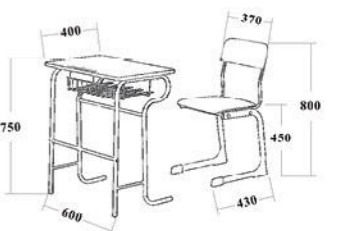


MOR-KZ-34

材料说明 Material Description

桌面板: 18mm 中密度刨花板芯, 三氨面模具注塑成型 PP 胶封边
 桌站脚: 冷轧钢管, 25 圆管, 1.2mm 厚, 红色喷涂
 书网: 4mm 冷拉钢丝
 椅座背: 成型夹板, 贴防火面
 椅背架: 冷轧钢管, 25 圆管, 1.2mm 厚, 蓝色喷涂

Table board: Melamine board one-time moulding process with PP edge, 18mm thickness.
 Table leg: Cold rolled steel tube, ϕ 25mm tube, 1.2mm thickness, powder coating in red.
 Book drawer: Solid iron wire, ϕ 4mm.
 Chair back & seat: High quality plywood with fireproof top.
 Chair frame: Cold rolled steel tube, ϕ 25mm tube, 1.2mm thickness, powder coating in blue.



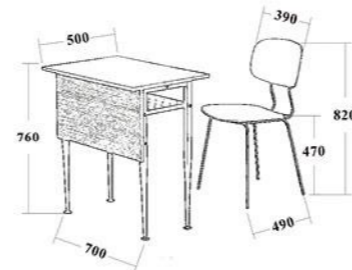


MOR-KZ-35

材料说明 Material Description

桌面板: 刨花板贴三氨面, 尺寸 700x500mmx20mm 厚
 桌站脚: 冷轧钢管, 30 锥形管, 1.2mm 厚, 红色喷涂
 椅座背: 成型夹板, 贴防火面
 椅背架: 冷轧钢管, ϕ 10x1.2mm 厚, 银色喷涂

Table board: High quality melamine board, size is 700x500x20mm.
 Table frame: Cold rolled steel tube, 30x30x1.2mm thickness, powder coated in red.
 Chair backrest: High quality plywood with fireproof top.
 Chair back support: Cold-rolled steel tube, ϕ 10x1.2mm, powder coated in silvery.

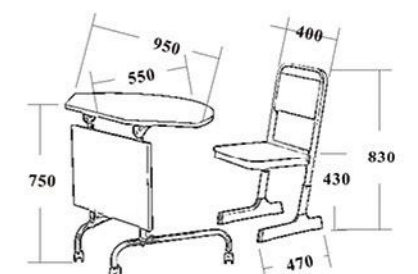


MOR-KZ-37

材料说明 Material Description

桌面板: 高密度刨花板芯, 三氨面, 同色封边
 桌站脚: 冷轧钢管, ϕ 30x1.2mm 厚, 灰色和蓝色喷涂
 前挡板: 高密度刨花板芯, 三氨面, 同色封边, 600x400x25mm
 椅座背: 高密度刨花板芯, 三氨面, 同色封边
 椅背架: 冷轧钢管, 50x25x1.2mm 厚, 白色喷涂

Table Top: High quality melamine board, same color edge.
 Table frame: Cold rolled steel tube, ϕ 30x1.2mm, powder coating in grey and blue.
 Table front: High quality melamine board, same color edge, size 600x400x25mm.
 Chair seat&back: High quality melamine board, same color edge.
 Chair frame: Cold rolled steel tube 50x25x1.5mm, powder coating in white.

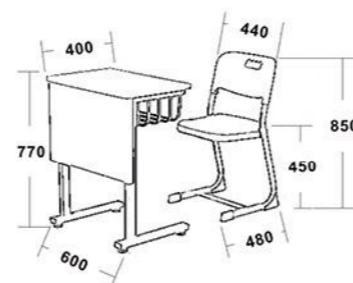


MOR-KZ-36

材料说明 Material Description

桌面板: 刨花板贴三氨面, 尺寸 600x400mmx25mm 厚
 桌站脚: 冷轧钢管, 50X30X1.2mm 厚, 红色喷涂
 椅座背: 优质 HDPE 胶中空注塑面板
 椅背架: 冷轧钢管, 40X20X1.2mm 厚, 灰色喷涂

Table board: High quality melamine board, size is 600x400x25mm.
 Table frame: Cold rolled steel tube, 50x30x1.2mm thickness, powder coated in red.
 Chair backrest: High quality blow moulded HDPE shell.
 Chair back support: Cold-rolled steel tube, 40x20x1.2mm, powder coated in grey.



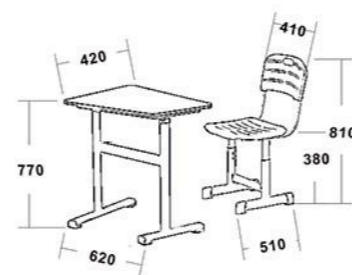


MOR-KZ-38

材料说明 Material Description

桌面板: 刨花板贴三氨面, 黑色胶封边
 桌站脚: 冷轧钢管, 60X30X1.2mm 厚, 红色喷涂
 椅座背: 优质工程塑料 ABS 胶面板, 椭圆孔透气, 坐起来比较舒适
 椅背架: 冷轧钢管, 50x25x1.2mm 厚, 白色喷涂

Table board: High quality melamine board, size is 600x400x25mm.
 Table frame: Cold rolled steel tube, 60x30x1.2mm thickness, powder coated in red.
 Chair backrest: High quantity ABS top table, comfortable and nice.
 Chair back support: Cold rolled steel tube, size is 50x25x1.5mm, powder coating in white.



MOR-KZ-39

材料说明 Material Description

桌面板: 优质工程塑料 ABS 胶面板, 尺寸 600x400mm
 桌站脚: 冷轧钢管, $\phi 25$ 圆管, 1.2mm 厚, 灰色喷涂
 书网: 4mm 实心冷拉丝
 椅座背: 优质 HDPE 胶中空吹塑面板
 椅背架: 冷轧钢管, 40X20X1.2mm 厚, 灰色喷涂

Table board: High quantity ABS top table, size is 400x600mm.
 Table leg: Cold rolled steel tube, $\phi 25 \times 1.2$ mm, powder coated grey.
 Book net: 4mm thickness, solid iron wire.
 Chair seat & back: High quality blow moulded HDPE shell.
 Chair frame: Cold rolled steel tube, 40x20x1.2mm, powder coated grey.



MOR-KZ-40

材料说明 Material Description

桌面板: 高密度防火板, 尺寸 600x400mmx18mm 厚
 桌站脚: 冷轧钢管, $\phi 20 \times 1.2$ mm 厚, 灰色喷涂
 书网: 厚 0.6mm, 445x310x150mm
 椅座背: 成型夹板贴防火面
 椅背架: 冷轧钢管, $\phi 20 \times 1.2$ mm 厚, 灰色喷涂

Table board: High quality fireproof plywood board, size is 600x400x18mm.
 Table leg: Cold rolled steel tube, $\phi 20 \times 1.2$ mm, powder coating in grey.
 Book drawer: Iron plate, thickness is 0.6mm, size is 445x310x150mm.
 Chair seat & back: High quality fireproof plywood board.
 Chair frame: Cold rolled steel tube, $\phi 20 \times 1.2$ mm, powder coating in grey.

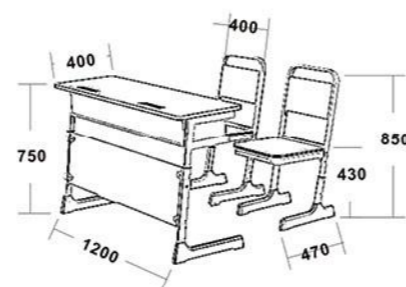


MOR-KZ-41

材料说明 Material Description

桌面板:刨花板芯三氨面,尺寸是 1200mmx400mmx25mm 厚
桌站脚:冷轧钢管,50x25x1.4mm 厚,白色喷涂
前挡板:刨花板芯三氨面,1065x300x018mm 厚
书兜:铁板冲压成型,0.6mm 厚
椅座背:刨花板芯三氨面,PP 封边
椅架:冷轧钢管,50x25x1.4mm 厚,白色喷涂

Table board: High quality melamine board, size is 1200x400x25mm.
Table frame: Cold rolled steel tube, size is 25x25x1.4mm, powder coating in white.
Table front: High quality melamine board, size is 1065x300x18mm.
Book drawer: Iron plate, thickness is 0.6mm.
Chair seat & back: High quality melamine board, black PP edge.
Chair frame: Cold rolled steel tube, size is 25x25x1.4mm, powder coating in white.

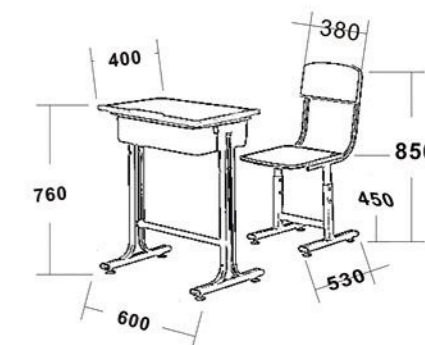


MOR-KZ-42

材料说明 DESCRIPTION

桌面板:刨花板芯三氨面,尺寸是 1200x400x25mm
桌站脚:冷轧钢管,30x70x1.2mm 厚,灰色喷涂
书兜:铁板冲压成型,0.6mm 厚
椅座背:成型夹板贴防火板
椅背架:冷轧钢管,30x70x1.2mm 厚,灰色喷涂

Table board: High quality melamine board, size is 1200x400x25mm.
Table frame: Cold rolled steel tube, size is 30x70x1.2mm, powder coating in grey.
Book drawer: Iron plate, thickness is 0.6mm.
Chair seat & back: Plywood with fireproof board.
Chair Frame: Cold rolled steel tube, size is 30x70x1.2mm, powder coating in grey.



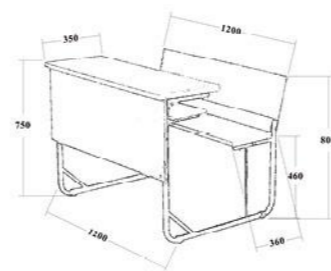


MOR-KZ-43

材料说明 Material Description

桌面板:刨花板芯贴三胺面,尺寸是 1200X400X25mm 厚
 桌椅脚:冷轧钢管,φ30X1.4mm 厚,黑色喷涂
 二层板:刨花板芯贴三胺面,尺寸是 1100X250X16mm 厚
 前挡板:刨花板芯贴三胺面,尺寸是 1100X400X16mm 厚
 座板:刨花板芯贴三胺面,尺寸:1200X300X25mm 厚
 背板:刨花板芯贴三胺面,尺寸是 1200X200X25mm 厚

Table board:Particle board with melamine board, ,size is 1200x400x25mm.
 Table frame:Cold rolled steel tube, φ30x1.4mm thickness.
 Second board:Particle board with melamine board, ,size is 1100x250x16mm.
 Table front:Particle board with melamine board, ,size is 1100x400x16mm.
 Seat:Particle board with melamine board, ,size is 1200x300x25mm.
 Backrest:Particle board with melamine board, ,size is 1200x200x25mm.



MOR-KZ-44

材料说明 Material Description

桌面板:刨花板芯贴三氨面,尺寸是 1200X400X25mm 厚
 桌椅脚:冷轧钢管,φ30X1.4mm 厚,黑色喷涂
 二层板:刨花板芯贴三氨面,尺寸是 1100X250X16mm 厚
 座板:刨花板芯贴三氨面,尺寸:1200X300X25mm 厚
 背板:刨花板芯贴三氨面,尺寸是 1200X200X25mm 厚

Table board:Particle board with melamine board, ,size is 1200x400x25mm.
 Table frame:Cold rolled steel tube, φ30x1.2mm thickness,powder coated in black.
 Second board:Particle board with melamine board, ,size is 1100x250x16mm.
 Table front:Particle board with melamine board, ,size is 1100x400x16mm.
 Seat:Particle board with melamine board, ,size is 1200x300x25mm.
 Backrest:Particle board with melamine board,size is 1200x200x25mm.



MOR-KZ-45

材料说明 Material Description

桌面板:夹板成型 PP 胶封边,尺寸是 1200x400x20mm
 桌站脚:冷轧钢管,30x60x1.4mm 厚,灰色喷涂
 书兜:铁板,0.6mm 厚,尺寸是 445x310xH150mm
 椅座背:优质工程塑料 ABS 胶面板
 椅架子:冷轧钢管,30x60x1.4mm 厚,灰色喷涂

Table board: Plywood one-time moulding process with PP edge,Size is 1200X400x20mm.
 Table leg:cold-rolled steel,30x60x1.4mm thickness,powder coating in grey.
 Book drawer:iron plate,0.6mm thickness.Size is 445x310xH150mm thickness.
 Chair seat&back:High quality ABS shell.
 Chair frame:Cold-rolled steel,30x60x1.4mm thickness,powder coating in grey.

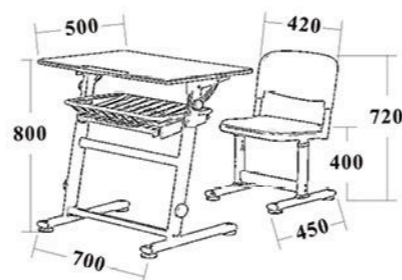


MOR-KZ-46

材料说明 Material Description

桌面板: 优质夹板, 尺寸是 700x500x20mm, 台面可翻动, 画板
桌站脚: 冷轧钢管, 30x60x1.4mm 厚, 灰色喷涂
书网: 5mm 厚实心冷拉钢丝

Table board: high quality Plywood, Size is 700x500x20mm.
Table frame: cold-rolled steel, 30x60x1.4mm thickness, powder coated in grey.
Book drawer: 5mm thickness solid iron wire.

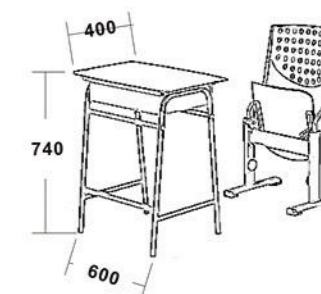


MOR-KZ-47

材料说明 DESCRIPTION

桌面板: 优质工程塑料 ABS 胶面板, 尺寸是 600x400mm
桌站脚: 冷轧钢管, 20x1.2mm 直径方管, 黑色和灰色喷涂
书兜: 铁板冲孔网 0.6mm 厚, 尺寸是 445x310xH150mm
椅座背: 优质工程塑料 ABS 胶面板
椅架: 冷轧钢, 60x30x1.2mm 厚, 灰色喷涂

Table board: High quality ABS top table, Size is 600x400mm.
Table frame: cold-rolled steel, ϕ 20x1.2mm thickness, powder coated in black and grey.
Book drawer: iron plate, 0.6mm thickness. Size is 445x310xH150mm.
Chair seat&back: High quality ABS shell.
Chair frame: cold-rolled steel, ϕ 22x1.2mm thickness, powder coating in grey.



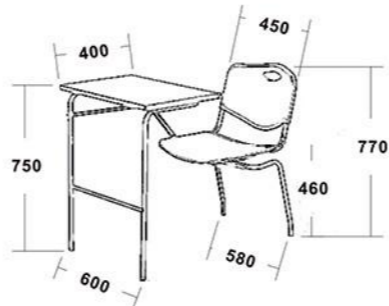


MOR-KZ-48

材料说明 Material Description

桌面板: 优质夹板, 尺寸是 600x400x20mm 厚
 桌站脚: 冷轧钢管, 25 直径圆管
 椅座背: 优质工程塑料 ABS 胶
 椅架: 冷轧钢管, 20 圆管, 1.2mm 厚
 喷涂: 红色

Table board: high quality plywood shell, Size is 600x400x20mm.
 Table frame: cold-rolled steel, ϕ 25x1.2mm thickness.
 Chair seat&back: High quality ABS shell.
 Chair frame: cold-rolled steel, ϕ 20x1.2mm thickness.
 Painting: power coating in red.

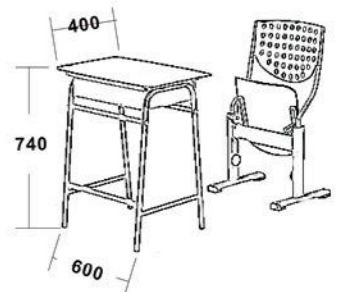


MOR-KZ-49

材料说明 DESCRIPTION

桌面板: 优质工程塑料 PP 胶面板, 尺寸是 600x400mm
 桌站脚: 冷轧钢管, 30x70x1.4mm 厚, 白色喷涂
 书兜: 铁板, 0.6mm 厚, 尺寸 445x310xH150mm
 椅座背: 优质 HDPE 胶中空吹塑座背板
 椅架: 冷轧钢管, 40x20x1.2mm 厚, 灰色喷涂

Table board: High quantity ABS top table, size is 400x600mm.
 Table frame: Cold-rolled steel, 30x70x1.4mm, powder coated white.
 Book drawer: One-time molding process with 0.6mm thickness.
 Chair seat&back: High quantity blow moulded HDPE shell.
 Chair frame: Cold-rolled steel, 40x20x1.2mm, powder coated white.

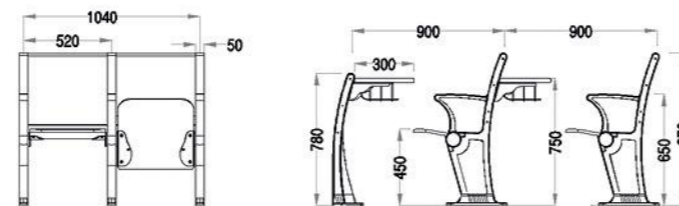




JT-01L

材料说明 Material Description

椅背：采用金属框架，内板用多层旋切木板，高回弹海绵，面覆麻绒。
 椅座：内板采用优质多层旋切木板，高回弹海绵，面覆麻绒。
 站脚：采用铝合金一体压铸成型，表面喷涂处理。
 台面板（写字台）：采用中纤板面压防火板。
 书网架：采用优质冷拉钢丝，采用静电喷涂处理。
 回复机构：采用重力回复机构。

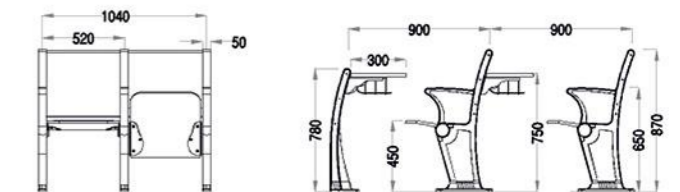


Backrest: Metal frame, Boardtop is made of multilayer spin-cut wood covered with fireproofing board.
 Seat: Multi-layer spin-cut woodskin is hot-pressed by mould, with surface covered by fireproofing board. Seat board is connected with a penetrating angle plate. Boardtop is fitted with stainless steel screw.
 Leg: Moulded die-cast aluminium alloy, with surface painted.
 Table Board: MDF Board covered with fireproofing board.
 Book Shelf: Supreme cold-drawn steel with surface painted.
 Reposition: Tip-up seat is driven by gravity.

JT-02L

材料说明 Material Description

椅背：采用网孔钢板冲压焊接成型，表面经喷涂处理。
 椅座：采用优质多层旋切木皮经模具热压成型并面压防火板，座板与角码采用穿透方式连接，板面配制不锈钢螺套。
 站脚：采用铝合金经一体压铸成型，带扶手，表面经喷涂处理。
 台面板（写字台）：采用中纤板面压防火板。
 书网架：采用优质冷拉钢丝，采用静电喷涂处理。
 回复机构：采用重力回复机构。



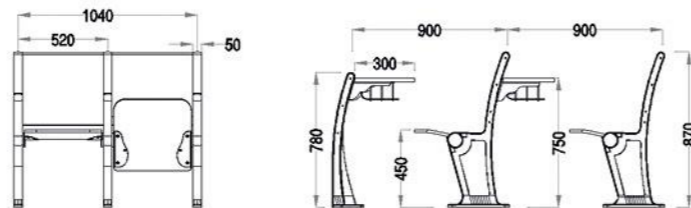
Back: Welded die-cast steel netted-plate, with surface painted.
 Seat: Supreme multi-layer spin-cut woodskin is hot-pressed by mould, with surface covered by fireproofing board. Seat board is connected with a penetrating angle plate. Boardtop is fitted with stainless steel screw.
 Leg: Moulded die-cast aluminium alloy, with surface painted. With arms.
 Table Board: MDF Board covered with fireproofing board.
 Book Shelf: Supreme cold-drawn steel with surface painted.
 Reposition: Tip-up seat is driven by gravity.



JT-03L

材料说明 Material Description

椅背：采用网孔钢板冲压焊接成型，表面经喷涂处理。
 椅座：采用优质多层旋切木皮经模具热压成型并面压防火板，座板与角码采用穿透方式连接，板面配制不锈钢螺套。
 站脚：采用铝合金经一体压铸成型，带扶手，表面经喷涂处理。
 台面板（写字台）：采用中纤板面压防火板。
 书网架：采用优质冷拉钢丝，采用静电喷涂处理。
 回复机构：采用重力回复机构。

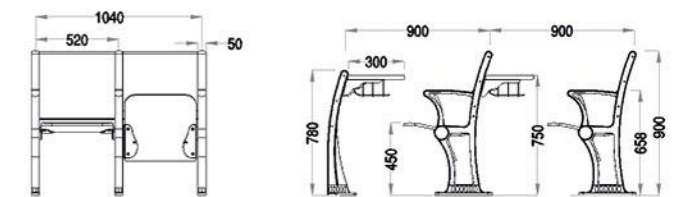


Back: Welded die-cast steel netted-plate, with surface painted.
 Seat: Supreme multi-layer spin-cut woodskin is hot-pressed by mould, with surface covered by fireproofing board. Seat board is connected with a penetrating angle plate. Boardtop is fitted with stainless steel screw.
 Leg: Moulded die-cast aluminium alloy, with surface painted. With arms.
 Table Board: MDF Board covered with fireproofing board.
 Book Shelf: Supreme cold-drawn steel with surface painted.
 Reposition: Tip-up seat is driven by gravity.

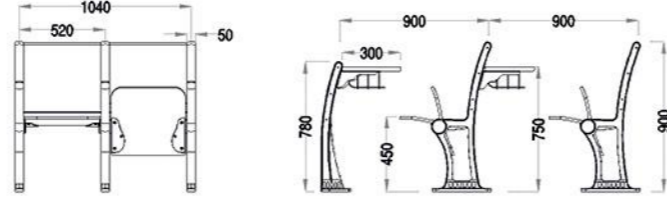
JT-04L

材料说明 Material Description

椅背：采用网孔钢板冲压焊接成型，表面经喷涂处理。
 椅座：采用优质多层旋切木皮经模具热压成型并面压防火板，座板与角码采用穿透方式连接，板面配制不锈钢螺套。
 站脚：采用铝合金经一体压铸成型，带扶手，表面经喷涂处理。
 台面板（写字台）：采用中纤板面压防火板。
 书网架：采用优质冷拉钢丝，采用静电喷涂处理。
 回复机构：采用重力回复机构。



Back: Welded die-cast steel netted-plate, with surface painted.
 Seat: Supreme multi-layer spin-cut woodskin is hot-pressed by mould, with surface covered by fireproofing board. Seat board is connected with a penetrating angle plate. Boardtop is fitted with stainless steel screw.
 Leg: Moulded die-cast aluminium alloy, with surface painted. With arms.
 Table Board: MDF Board covered with fireproofing board.
 Book Shelf: Supreme cold-drawn steel with surface painted.
 Reposition: Tip-up seat is driven by gravity.



JT-06L

材料说明 Material Description

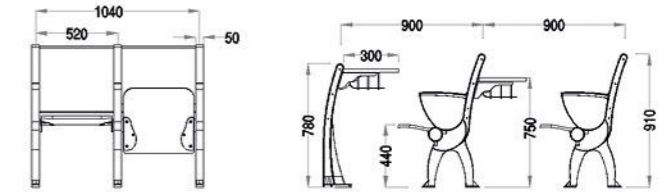
椅背：采用金属框架，面板用多层旋切木板面压防火板。
 椅座：采用优质多层旋切木皮经模具热压成型并面压防火板，座板与角码采用穿透方式连接，板面配制不锈钢螺套。
 站脚：采用铝合金经一体压铸成型，带扶手，表面经喷涂处理。
 台面板（写字台）：采用中纤板面压防火板。
 书网架：采用优质冷拉钢丝，采用静电喷涂处理。
 回复机构：采用重力回复机构。

Backrest: Metal frame, Boardtop is made of multilayer spin-cut wood covered with fireproofing board.
 Seat: Supreme multi-layer spin-cut woodskin is hot-pressed by mould, with surface covered by fireproofing board. Seat board is connected with a penetrating angle plate. Boardtop is fitted with stainless steel screw.
 Leg: Moulded die-cast aluminium alloy, with surface painted.
 Table Board: MDF Board covered with fireproofing board.
 Book Shelf: Supreme cold-drawn steel with surface painted. With arms.
 Reposition: Tip-up seat is driven by gravity.

JT-07-1

材料说明 Material Description

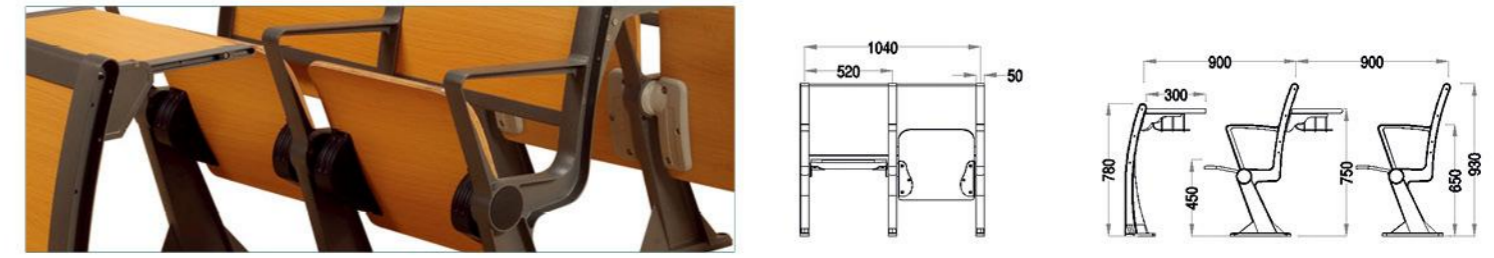
椅背：采用金属框架，内板用多层旋切木板，高回弹海绵，面覆麻绒。
 椅座：内板采用优质多层旋切木板，高回弹海绵，面覆麻绒。
 站脚：采用铝合金一体压铸成型，表面喷涂处理。
 台面板（写字台）：采用中纤板面压防火板。
 书网架：采用优质冷拉钢丝，采用静电喷涂处理。
 回复机构，采用重力回复机构。



JT-07L



JT-08L-1



JT-08L

材料说明 Material Description

椅背：采用金属框架，面板用多层旋切木板面压防火板。
 椅座：采用优质多层旋切木皮经模具热压成型并面压防火板，座板与角码采用穿透方式连接，板面配制不锈钢螺套。
 站脚：采用铝合金经一体压铸成型，带扶手，表面经喷涂处理。
 台面板（写字台）：采用中纤板面压防火板。
 书网架：采用优质冷拉钢丝，采用静电喷涂处理。
 回复机构：采用重力回复机构。

Backrest: Metal frame, Boardtop is made of multilayer spin-cut wood covered with fireproofing board.
 Seat: Supreme multi-layer spin-cut woodskin is hot-pressed by mould, with surface coverde by fireproofing board. Seat board is connected with a penetrating angle plate. Boardtop is fitted with stainless steel screw.
 Leg: Moulded die-cast aluminium alloy, with surface painted.
 Table Baoard: MDF Board covered with fireproofing board..
 Book Shelf: Supreme cold-drawn steel with surface painted. With arms.
 Reposition: Tip-up seat is driven by gravity.



JT-09L

材料说明 Material Description

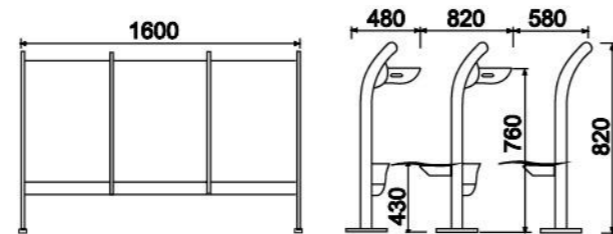
椅背：采用金属框架，面板用多层旋切木板面压防火板。
 椅座：采用优质多层旋切木皮经模具热压成型并面压防火板，座板与角码采用穿透方式连接，板面配制不锈钢螺套。
 站脚：采用铝合金经一体压铸成型，带扶手，表面经喷涂处理。
 台面板（写字台）：采用中纤板面压防火板。
 书网架：采用优质冷拉钢丝，采用静电喷涂处理。
 回复机构：采用重力回复机构。

Backrest: Metal frame, Boardtop is made of multilayer spin-cut wood covered with fireproofing board.
 Seat: Supreme multi-layer spin-cut woodskin is hot-pressed by mould, with surface coverde by fireproofing board. Seat board is connected with a penetrating angle plate. Boardtop is fitted with stainless steel screw.
 Leg: Moulded die-cast aluminium alloy, with surface painted.
 Table Baoard: MDF Board covered with fireproofing board..
 Book Shelf: Supreme cold-drawn steel with surface painted. With arms.
 Reposition: Tip-up seat is driven by gravity.


JT-01W
材料说明 Material Description

站脚: 冷轧钢管, 80x30x1.2mm 厚, 黑色喷涂
 横梁: 冷轧钢管, 80x40x1.5mm 厚
 椅背: 成型夹板, 贴防火面, 10mm 厚
 椅座: 中纤板心贴榉木防火板面, 45x38.5x16mm 厚
 书网: 6mm 实心冷拉钢
 写板: 活动后写板, 可折叠, 夹板心, 三氨面, 12mm 厚
 回复: 慢回弹

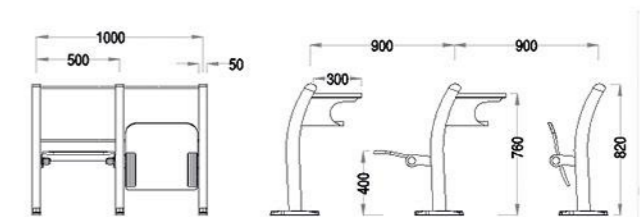
Leg: Cold rolled steel tube, 80x30x1.2mm thickness,
 Black color powder coating
 Beam: Cold rolled steel tube, 80x40x1.5mm thickness
 Chair back: Moulded plywood with fireproof surface, 10mm thickness
 Chair seat: MDF board with fireproof surface, 45x38.5x16mm
 Book net: 6mm thickness solid steel
 Writing Tablet: Movable and foldable writing tablet, plywood with melamine surface, 12mm thickness
 Tip-up Mechanism: Heavy duty spring coil


JT-02S-1

JT-02S-2

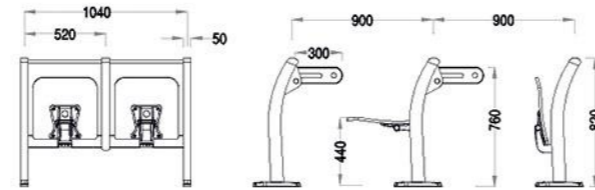
JT-02S
材料说明 Material Description

站脚: 冷轧钢管, 80x35x1.2mm 厚
 横梁: 冷轧钢管, 80x40x1.5mm 厚
 椅背: 冷轧钢板, 铁冲孔网, 1.2mm 厚
 椅座: 铁冲孔网板, 1.2mm 厚
 书网: 6mm 实心冷拉钢
 写板: 活动后写板, 可折叠, 夹板心, 三氨面, 12mm 厚
 回复: 慢回弹



材料说明 Material Description

站脚: 冷轧钢管, 80x30x1.2mm 厚, 黑色喷涂
 横梁: 冷轧钢管, 80x40x1.5mm 厚
 椅背: 成型夹板, 贴防火面, 10mm 厚
 椅座: 中纤板心贴榉木防火板面, 45x38.5x16mm 厚
 书网: 6mm 实心冷拉钢
 写板: 活动后写板, 可折叠, 夹板心, 三氨面, 12mm 厚
 回复: 慢回弹


JT-03W
材料说明 Material Description

站脚: 冷轧钢管, 80x35x1.2mm 厚
 横梁: 冷轧钢管, 80x40x1.5mm 厚
 椅背: 冷轧钢板, 铁冲孔网, 1.2mm 厚
 椅座: 铁冲孔网板, 1.2mm 厚
 书网: 6mm 实心冷拉钢
 写板: 活动后写板, 可折叠, 夹板心, 三氨面, 12mm 厚
 回复: 慢回弹

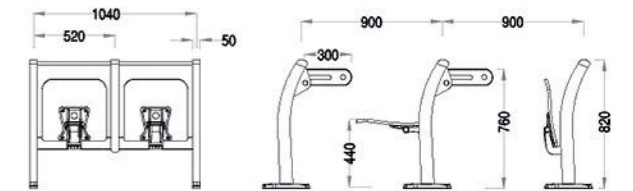
Leg: Cold rolled steel tube, 80x35x1.2mm thickness
 Beam: Cold rolled steel tube, 80x40x1.5mm thickness
 Chair back: Cold rolled steel plate, netted steel plate, 1.2mm thickness
 Chair seat: Netted steel plate, 1.2mm thickness
 Book net: 6mm thickness solid steel
 Writing Tablet: Movable and foldable writing tablet, plywood with melamine surface, 12mm thickness
 Tip-up Mechanism: Heavy duty spring coil


JT-03S

JT-03F
材料说明 Material Description

站脚: 冷轧钢管, 80x35x1.2mm 厚
 横梁: 冷轧钢管, 80x40x1.5mm 厚
 椅背: 成型夹板, 10mm 厚, 外贴海绵 + 绒布
 椅座: 中纤板心, 45x38.5x16mm 厚, 外贴海绵 + 绒布
 书网: 6mm 实心冷拉钢
 写板: 活动后写板, 可折叠, 夹板心, 三氨面, 12mm 厚
 回复: 慢回弹

Leg: Cold rolled steel tube, 80x35x1.2mm thickness
 Beam: Cold rolled steel tube, 80x40x1.5mm thickness
 Chair back: Moulded plywood, 10mm thickness, with sponge and fabric surface.
 Chair seat: MDF board, 45x38.5x16mm, with sponge and fabric surface.
 Book net: 6mm thickness solid steel
 Writing Tablet: Movable and foldable writing tablet, plywood with melamine surface, 12mm thickness
 Tip-up Mechanism: Heavy duty spring coil

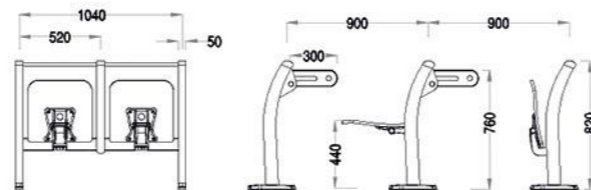




JT-04W

材料说明 Material Description

站脚: 冷轧钢管, 80x30x1.2mm 厚, 黑色喷涂
 横梁: 冷轧钢管, 80x40x1.5mm 厚
 椅背: 成型夹板, 贴防火面, 10mm 厚
 椅座: 中纤板心贴样木防火板面, 45x38.5x16mm 厚
 书网: 6mm 实心冷拉钢
 写板: 活动后写板, 可折叠, 夹板心, 三氨面, 12mm 厚
 回复: 慢回弹

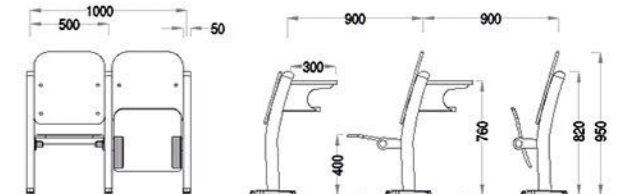


Leg: Cold rolled steel tube, 80x30x1.2mm thickness, black color powder coating
 Beam: Cold rolled steel tube, 80x40x1.5mm thickness
 Chair back: Moulded plywood with fireproof surface, 10mm thickness
 Chair seat: MDF board with fireproof surface, 45x38.5x16mm
 Book net: 6mm thickness solid steel
 Writing Tablet: Movable and foldable writing tablet, plywood with melamine surface, 12mm thickness
 Tip-up Mechanism: Heavy duty spring coil

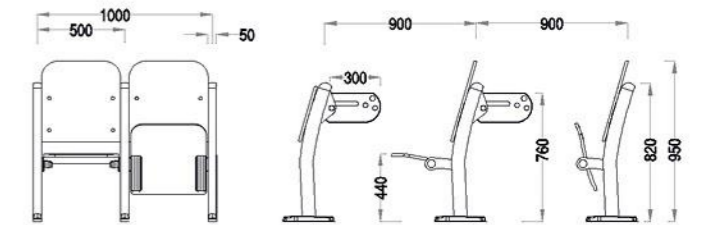
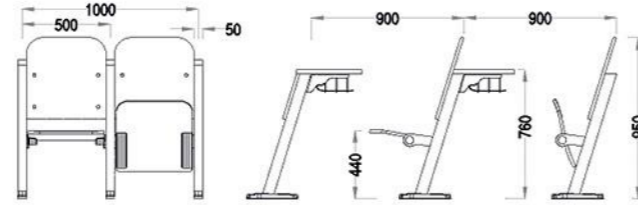
JT-05W

材料说明 Material Description

站脚: 冷轧钢管, 60x30x1.2mm 厚
 椅背: 座背夹板成型板, 贴防火面, 13mm 厚
 椅座: 座背夹板成型板, 贴防火面, 13mm 厚
 台面: 夹板心贴防火面, 1040x350x18mm 厚
 前挡板: 夹板心贴防火面, 1040x400x10mm 厚



Leg: Cold rolled steel tube, 60x30x1.2mm thickness
 Chair back: Moulded plywood with fireproof surface, 13mm thickness
 Chair seat: Moulded plywood with fireproof surface, 13mm thickness
 Desk Board: Plywood with fireproof surface, 1040x350x18mm
 Front baffle: Plywood with fireproof surface, 1040x400x10mm
 Tip-up Mechanism: Counter balanced weight



JT-06W

材料说明 Material Description

站脚：冷轧钢管，80x30x1.2mm 厚
 椅背：座背夹板成型板，贴防火面，尺寸 380x470x13mm 厚
 椅座：座背夹板成型板，贴防火面，尺寸 420x450x13mm 厚
 台面：夹板心贴防火面，1040x350x25mm 厚
 前挡板：夹板心贴防火面，1040x400x16mm 厚
 回复：重力回复

Leg: Cold rolled steel tube, 80x30x1.2mm thickness
 Chair back: Moulded plywood with fireproof surface, 380x470x13mm
 Chair seat: Moulded plywood with fireproof surface, 420x450x13mm
 Desk Board: Plywood with fireproof surface, 1040x350x25mm
 Front baffle: Plywood with fireproof surface, 1040x400x16mm
 Tip-up Mechanism: Counter balanced weight

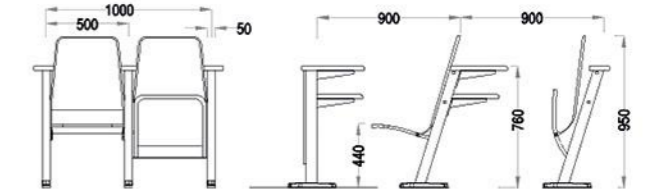
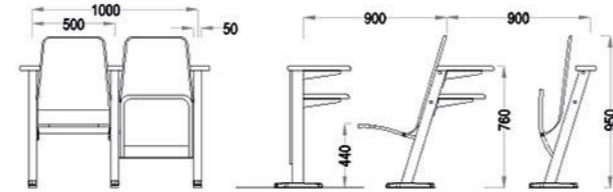


JT-07W

材料说明 Material Description

站脚：冷轧钢管，80x30x1.2mm 厚
 椅背：座背夹板成型板，贴防火面，尺寸 380x470x13mm 厚
 椅座：座背夹板成型板，贴防火面，尺寸 420x450x13mm 厚
 台面：夹板心贴防火面，1040x350x25mm 厚
 前挡板：夹板心贴防火面，1040x400x16mm 厚
 回复：重力回复

Leg: Cold rolled steel tube, 80x30x1.2mm thickness
 Chair back: Moulded plywood with fireproof surface, 380x470x13mm
 Chair seat: Moulded plywood with fireproof surface, 420x450x13mm
 Desk Board: Plywood with fireproof surface, 1040x350x25mm
 Front baffle: Plywood with fireproof surface, 1040x400x16mm
 Tip-up Mechanism: Counter balanced weight



JT-08F

材料说明 Material Description

站脚: 冷轧钢管, 80x30x1.2mm 厚
 座板下面铁架: 冷轧钢管, 25x25x1.2mm 厚
 椅背: 座背夹板成型板, 贴海绵+绒布, 16mm 厚
 椅座: 座背夹板成型板, 贴海绵+绒布, 16mm 厚
 台面: 刨花板心贴三氨面, 1150x350x25mm 厚
 二层写板: 刨花板心贴三氨面, 1150x250x16mm 厚
 前挡板: 刨花板心贴三氨面, 1150x600x16mm 厚
 回复: 手动翻动

Leg: Cold rolled steel tube, 80x30x1.2mm
 Frame: Cold rolled steel tube, 25x25x1.2mm
 Chair back: Moulded plywood, with sponge+fabric, 16mm thickness
 Chair seat: Moulded plywood, with sponge+fabric, 16mm thickness
 Desk Board: Melamine board, 1150x350x25mm
 Writing tablet: Melamine board, 1150x250x16mm
 Front baffle: Melamine board, 1150x600x16mm
 Tip-up Mechanism: Manual rebound system



JT-08W

材料说明 Material Description

站脚: 冷轧钢管, 80x30x1.2mm 厚
 座板下面铁架: 冷轧钢管, 25x25x1.2mm 厚
 椅背: 座背夹板成型板, 贴三氨面, 16mm 厚
 椅座: 座背夹板成型板, 贴三氨面, 16mm 厚
 台面: 刨花板心贴三氨面, 1150x350x25mm 厚
 二层写板: 刨花板心贴三氨面, 1150x250x16mm 厚
 前挡板: 刨花板心贴三氨面, 1150x600x16mm 厚
 回复: 手动翻动

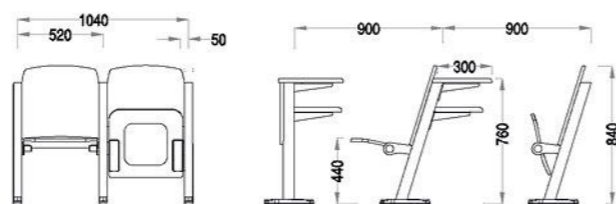
Leg: Cold rolled steel tube, 80x30x1.2mm
 Frame: Cold rolled steel tube, 25x25x1.2mm
 Chair back: Moulded plywood, 16mm thickness
 Chair seat: Moulded plywood, 16mm thickness
 Desk Board: Melamine board, 1150x350x25mm
 Writing tablet: Melamine board, 1150x250x16mm
 Front baffle: Melamine board, 1150x600x16mm
 Tip-up Mechanism: Manual rebound system



JT-09P

材料说明 Material Description

站脚：冷轧钢管，80x35x1.2mm厚，活动脚带平衡调节脚垫
 椅背：中空吹塑胶，化学名称聚丙烯，硬度耐热性高，可在100度环境下使用
 椅座：中空吹塑胶，化学名称聚丙烯，硬度耐热性高，可在100度环境下使用
 台面：刨花板心贴防火板面，圆边，1150x350x25mm厚
 二层书网：铁板冲孔网
 前挡板：刨花板心贴三氨面，1150x400x16mm厚
 回复：重力回复



JT-09P-1



TZ-01



TZ-02



TZ-03



TZ-04



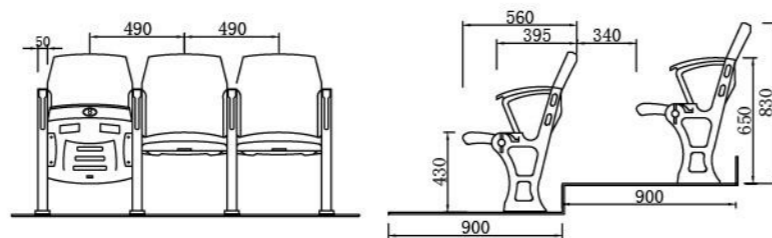


QC-01

材料说明 Material Description

座背: 全新料聚乙烯吹塑成型。
 支架: 优质冷轧钢板
 站脚: 铝合金压铸成型, 表面喷涂。
 中对中距离: 450mm.

Plastic shell: high density polyethylene blow mold shell.
 Frame: made by cold rolled steel plate.
 Leg: powder coated die-casting aluminum.
 Size: the center to center size is 450mm.

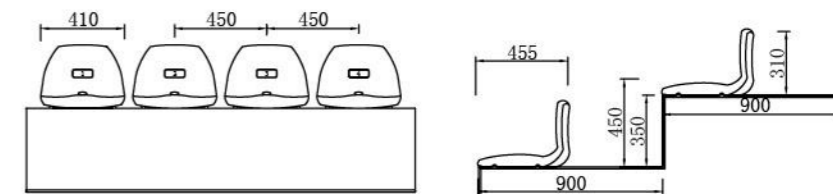


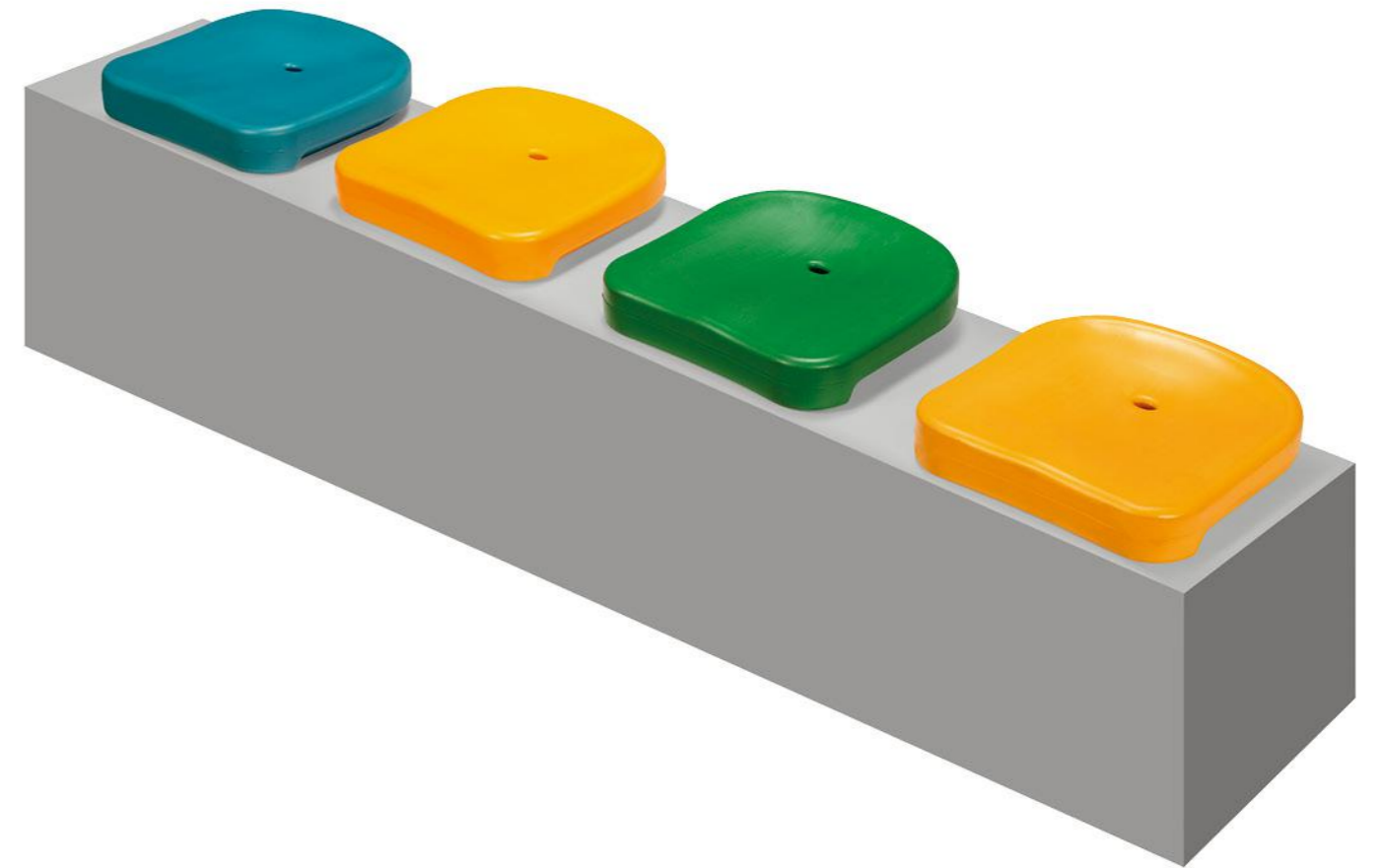
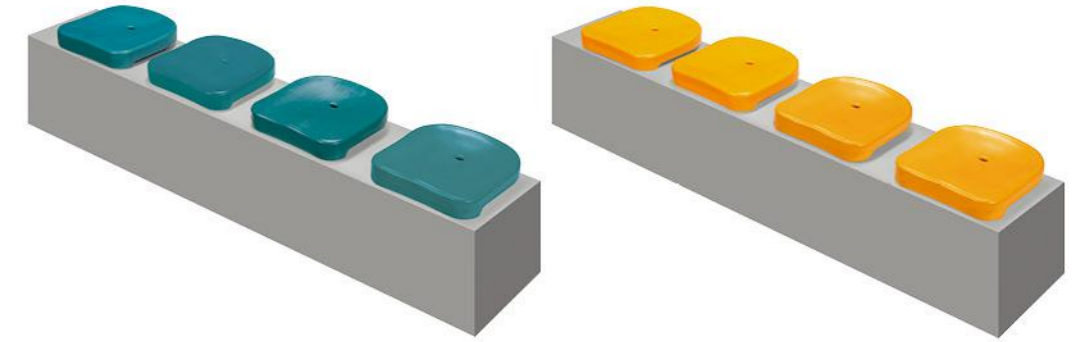
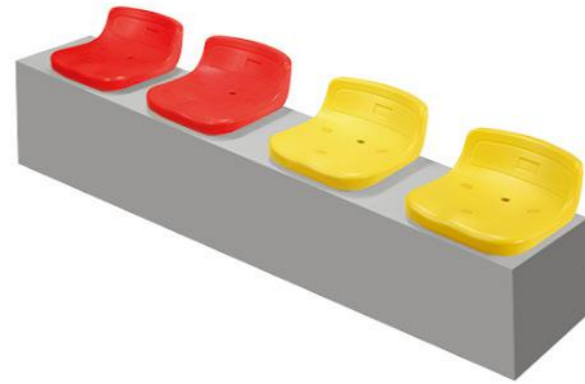
QC-02

材料说明 Material Description

座背: 全新料聚乙烯吹塑成型。
 支架: 几字型支架, 采用厚度为 4MM 的钢板制成, 适合水泥台阶看台。

Plastic shell: high density polyethylene blow mold bucket (on bench) shell.
 Frame: made by cold rolled steel plate, thickness is 4mm. it is suitable for Cement ground.



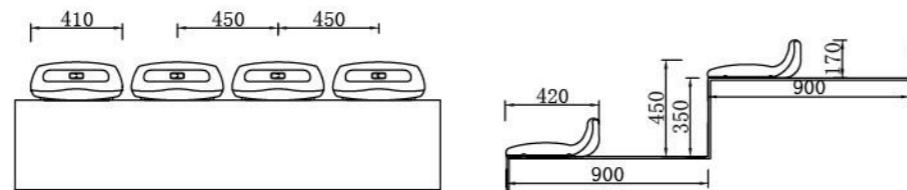


QC-03

材料说明 Material Description

座背: 全新料聚乙烯吹塑成型。
 支架: 几字型支架, 采用厚度为 4MM 的钢板制成, 适合水泥台阶看台。

Plastic shell: high density polyethylene blow mold bucket(on bench) shell.
 Frame: made by cold rolled steel plate, thickness is 4mm. it is suitable for Cement ground.

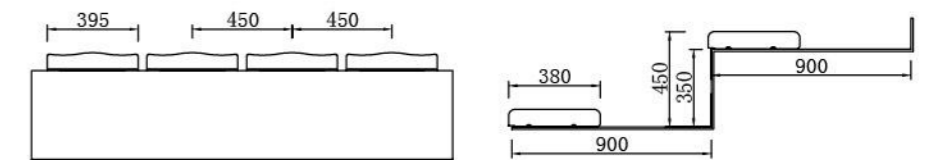


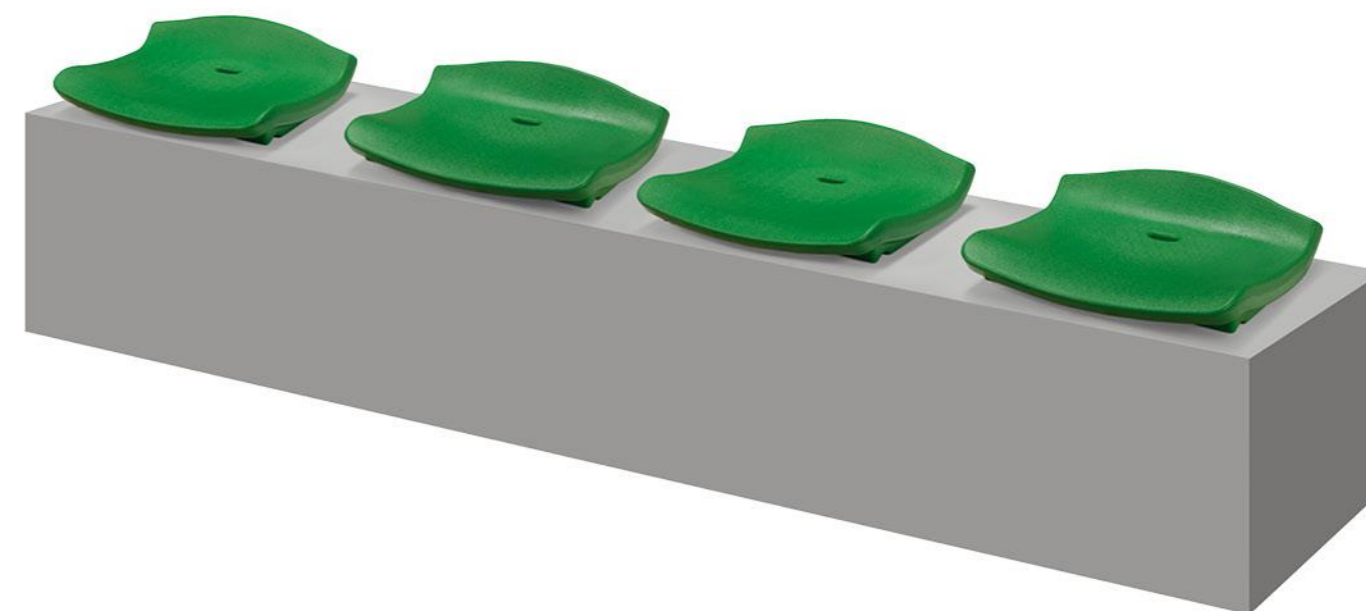
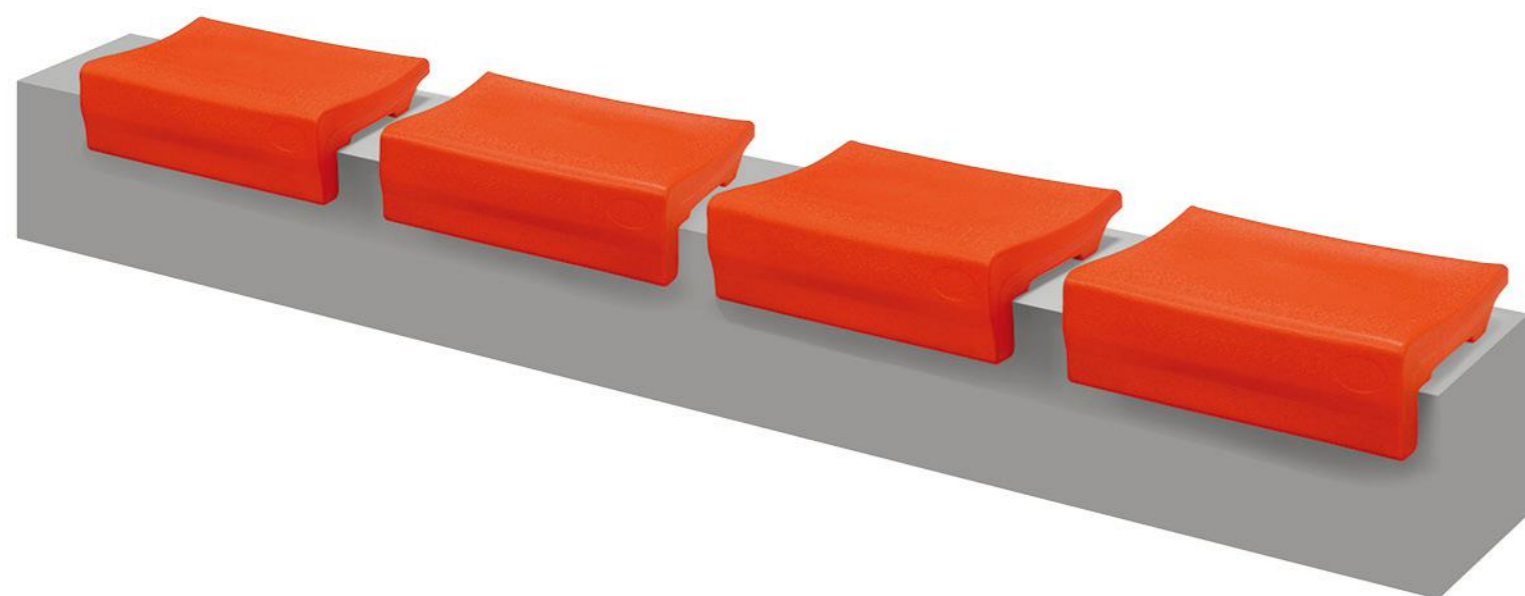
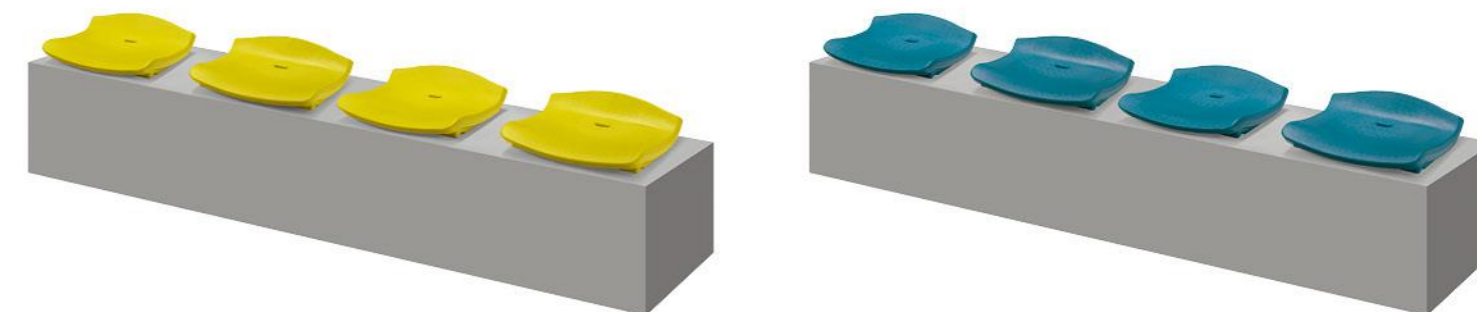
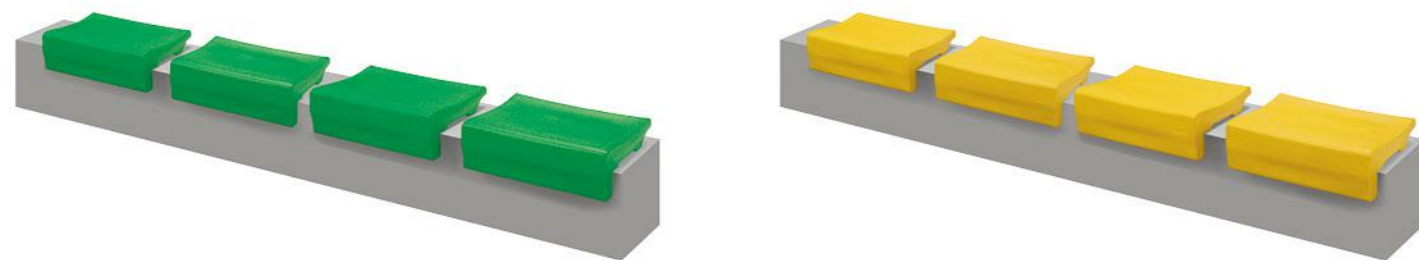
QC-04

材料说明 Material Description

座背: 全新料聚乙烯吹塑成型。
 支架: 几字型支架, 采用厚度为 4MM 的钢板制成, 适合水泥台阶看台。

Plastic shell: high density polyethylene blow mold bucket(on bench) shell.
 Frame: made by cold rolled steel plate, thickness is 4mm. it is suitable for Cement ground.



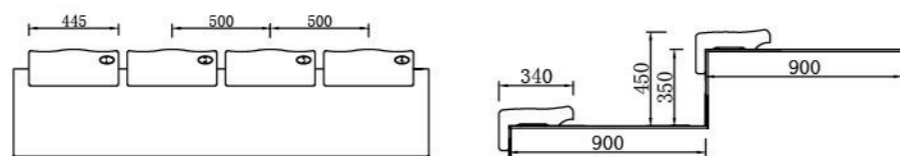


QC-05

材料说明 Material Description

座背: 全新料聚乙烯吹塑成型。
 支架: 几字型支架, 采用厚度为 4MM 的钢板制成, 适合水泥台阶看台。

Plastic shell: high density polyethylene blow mold bucket(on bench) shell.
 Frame: made by cold rolled steel plate, thickness is 4mm. it is suitable for Cement ground.

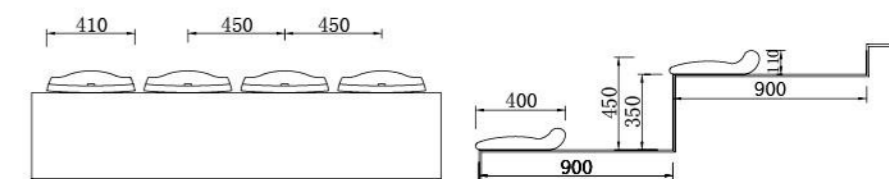


QC-06

材料说明 Material Description

座背: 全新料聚乙烯吹塑成型。
 支架: 几字型支架, 采用厚度为 4MM 的钢板制成, 适合水泥台阶看台。

Plastic shell: high density polyethylene blow mold bucket(on bench) shell.
 Frame: made by cold rolled steel plate, thickness is 4mm. it is suitable for Cement ground.



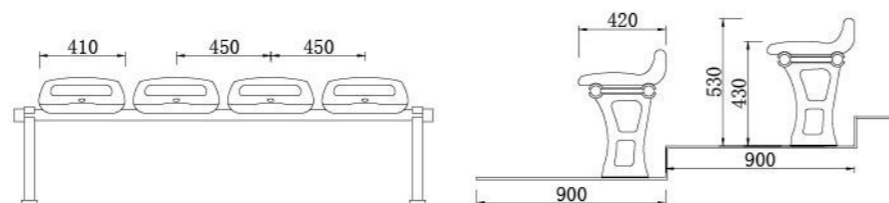


QC-07

材料说明 Material Description

座背: 全新料聚乙烯吹塑成型。
 支架: 优质冷轧钢板
 站脚: 铝合金压铸成型, 表面喷涂。
 中对中距离: 450mm.

Plastic shell: high density polyethylene blow mold shell.
 Frame: made by cold rolled steel plate.
 Leg: powder coated die-casting aluminum.
 Size: the center to center size is 450mm.

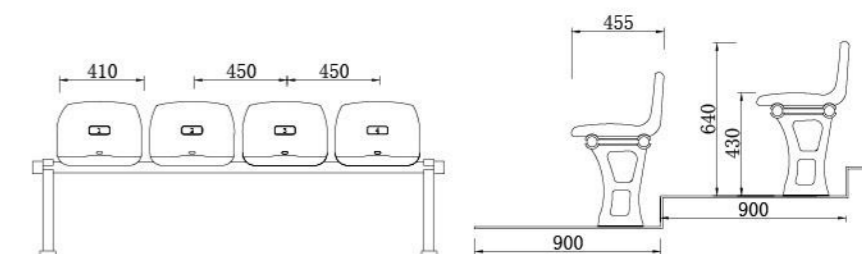


QC-08

材料说明 Material Description

座背: 全新料聚乙烯吹塑成型。
 支架: 优质冷轧钢板
 站脚: 铝合金压铸成型, 表面喷涂。
 中对中距离: 450mm.

Plastic shell: high density polyethylene blow mold shell.
 Frame: made by cold rolled steel plate.
 Leg: powder coated die-casting aluminum.
 Size: the center to center size is 450mm.



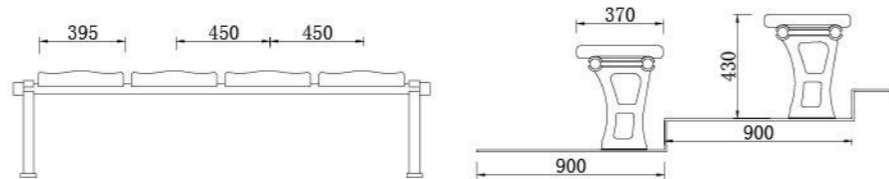


QC-09

材料说明 Material Description

座背: 全新料聚乙烯吹塑成型。
 支架: 优质冷轧钢板
 站脚: 铝合金压铸成型, 表面喷涂。
 中对中距离: 450mm.

Plastic shell: high density polyethylene blow mold shell.
 Frame: made by cold rolled steel plate.
 Leg: powder coated die-casting aluminum.
 Size: the center to center size is 450mm.

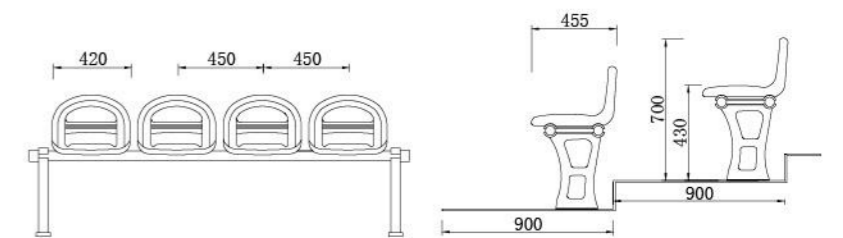


QC-10

材料说明 Material Description

座背: 全新料聚乙烯吹塑成型。
 支架: 优质冷轧钢板
 站脚: 铝合金压铸成型, 表面喷涂。
 中对中距离: 450mm.

Plastic shell: high density polyethylene blow mold shell.
 Frame: made by cold rolled steel plate.
 Leg: powder coated die-casting aluminum.
 Size: the center to center size is 450mm.



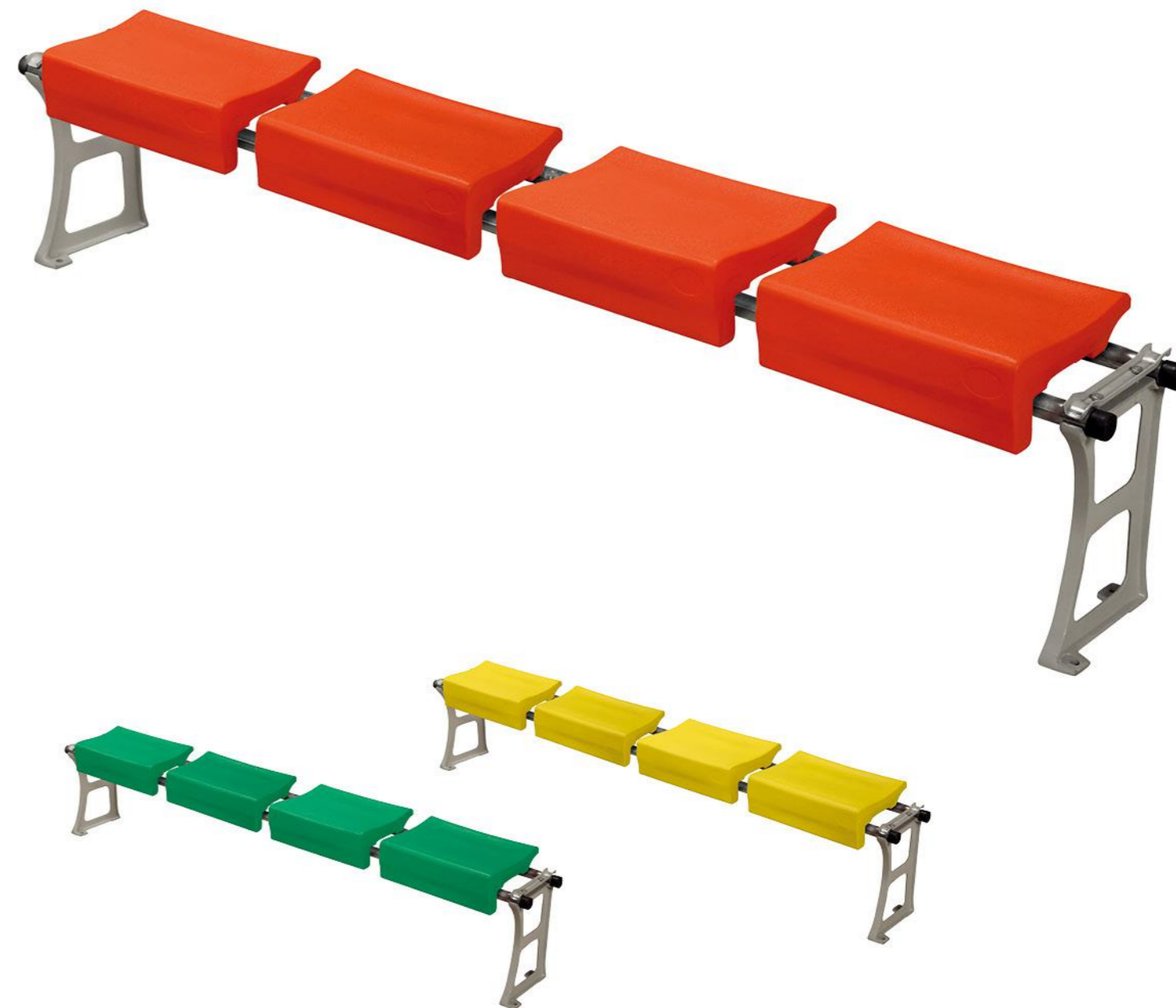
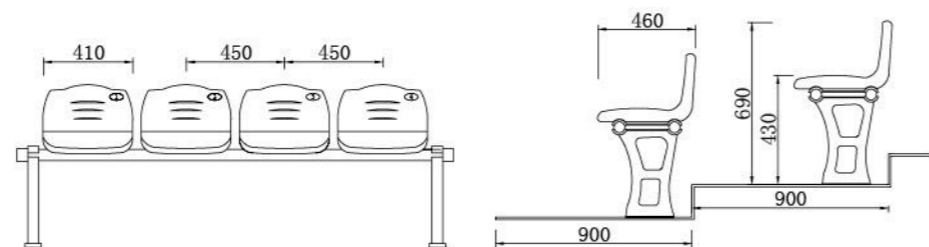


QC-11

材料说明 Material Description

座背: 全新料聚乙烯吹塑成型。
 支架: 优质冷轧钢板
 站脚: 铝合金压铸成型, 表面喷涂。
 中对中距离: 450mm.

Plastic shell: high density polyethylene blow mold shell.
 Frame: made by cold rolled steel plate.
 Leg: powder coated die-casting aluminum.
 Size: the center to center size is 450mm.

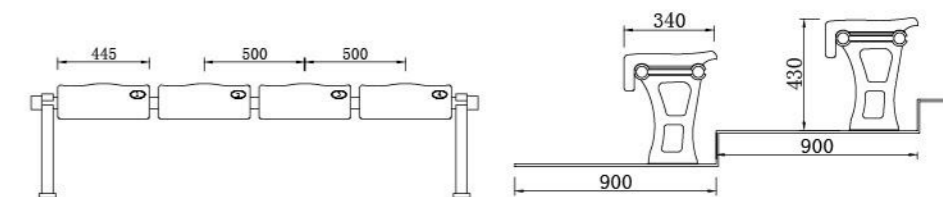


QC-12

材料说明 Material Description

座背: 全新料聚乙烯吹塑成型。
 支架: 优质冷轧钢板
 站脚: 铝合金压铸成型, 表面喷涂。
 中对中距离: 450mm.

Plastic shell: high density polyethylene blow mold shell.
 Frame: made by cold rolled steel plate.
 Leg: powder coated die-casting aluminum.
 Size: the center to center size is 450mm.



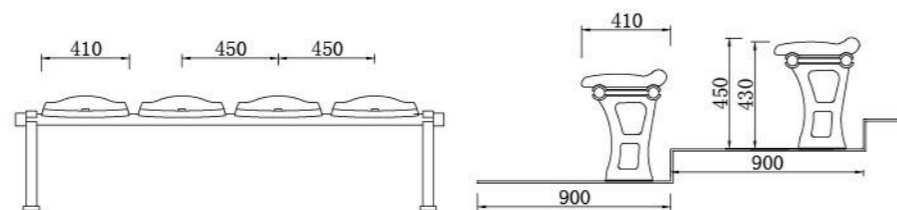


QC-13

材料说明 Material Description

座背: 全新料聚乙烯吹塑成型。
 支架: 优质冷轧钢板
 站脚: 铝合金压铸成型, 表面喷涂。
 中对中距离: 450mm.

Plastic shell: high density polyethylene blow mold shell.
 Frame: made by cold rolled steel plate.
 Leg: powder coated die-casting aluminum.
 Size: the center to center size is 450mm.

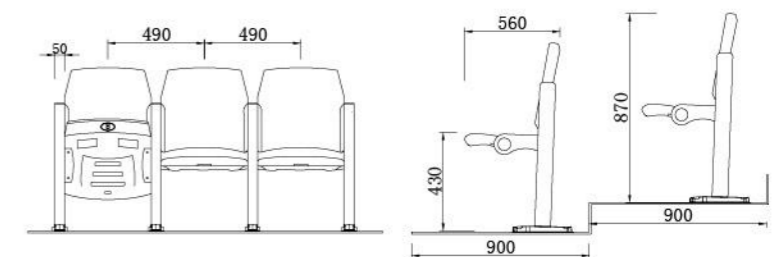


QC-14

材料说明 Material Description

座背: 全新料聚乙烯吹塑成型。
 支架: 优质冷轧钢板
 站脚: 优质冷轧方管, 表面喷涂。
 中对中距离: 450mm.

Plastic shell: high density polyethylene blow mold shell.
 Frame: made by cold rolled steel plate.
 Leg: Cold steel tube, powder coating in grey.
 Size: the center to center size is 450mm.



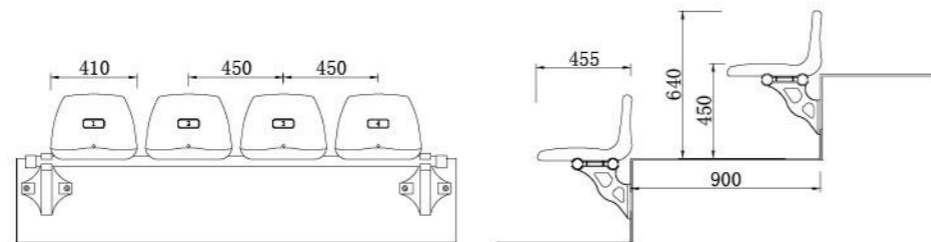


QC-15

材料说明 Material Description

座背: 全新料聚乙烯吹塑成型。
 支架: 优质冷轧钢板
 站脚: 铝合金压铸成型, 表面喷涂。
 中对中距离: 450mm.

Plastic shell: high density polyethylene blow mold shell.
 Frame: made by cold rolled steel plate.
 Leg: powder coated die-casting aluminum.
 Size: the center to center size is 450mm.

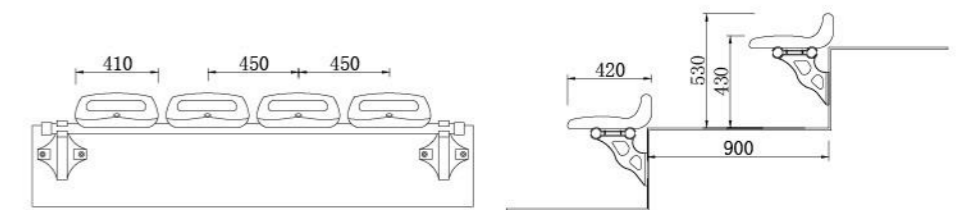


QC-16

材料说明 Material Description

座背: 全新料聚乙烯吹塑成型。
 支架: 优质冷轧钢板
 站脚: 铝合金压铸成型, 表面喷涂。
 中对中距离: 450mm.

Plastic shell: high density polyethylene blow mold shell.
 Frame: made by cold rolled steel plate.
 Leg: powder coated die-casting aluminum.
 Size: the center to center size is 450mm.



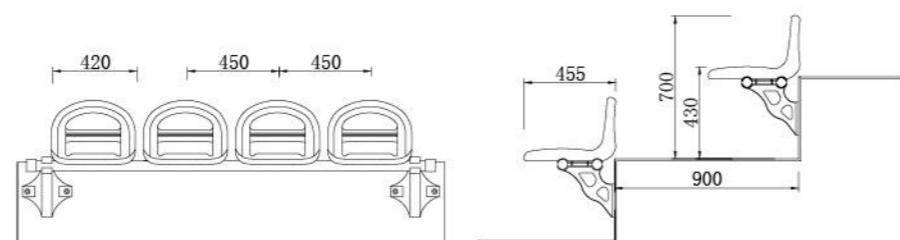


QC-17

材料说明 Material Description

座背: 全新料聚乙烯吹塑成型。
 支架: 优质冷轧钢板
 站脚: 铝合金压铸成型, 表面喷涂。
 中对中距离: 450mm.

Plastic shell: high density polyethylene blow mold shell.
 Frame: made by cold rolled steel plate.
 Leg: powder coated die-casting aluminum.
 Size: the center to center size is 450mm.

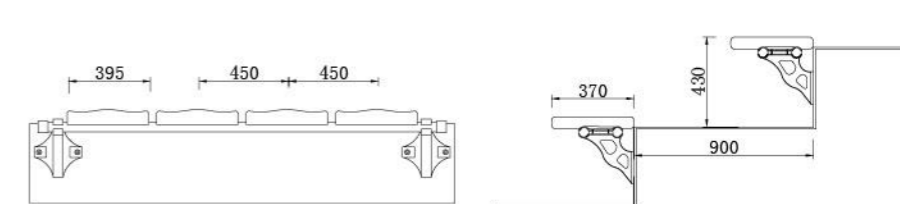


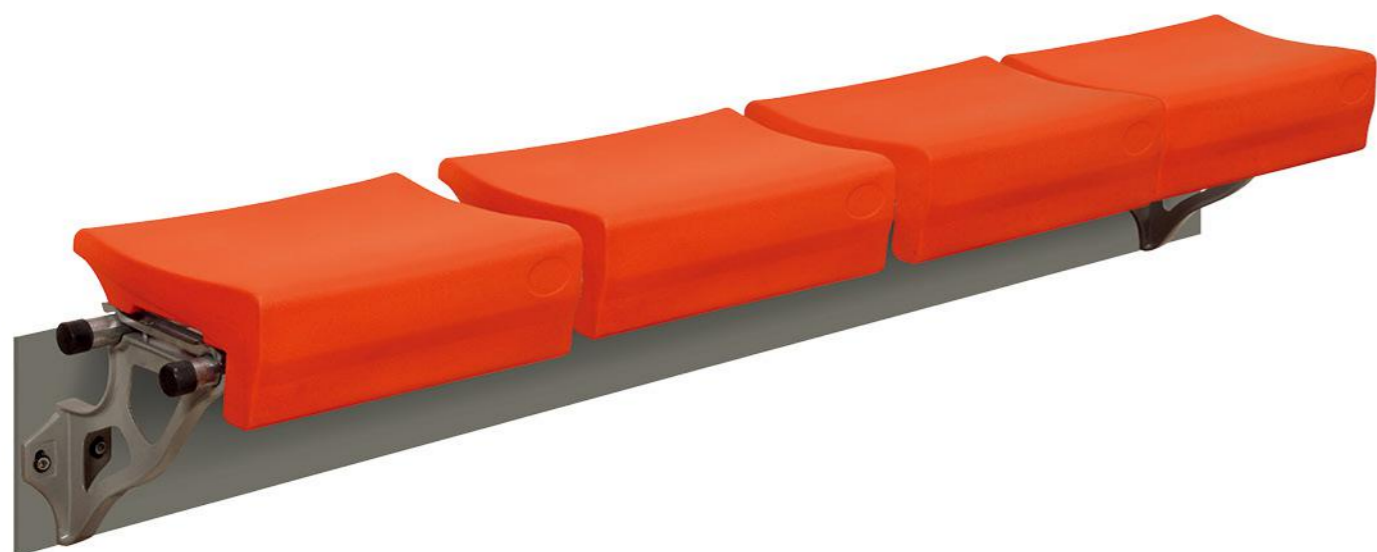
QC-18

材料说明 Material Description

座背: 全新料聚乙烯吹塑成型。
 支架: 优质冷轧钢板
 站脚: 铝合金压铸成型, 表面喷涂。
 中对中距离: 450mm.

Plastic shell: high density polyethylene blow mold shell.
 Frame: made by cold rolled steel plate.
 Leg: powder coated die-casting aluminum.
 Size: the center to center size is 450mm.



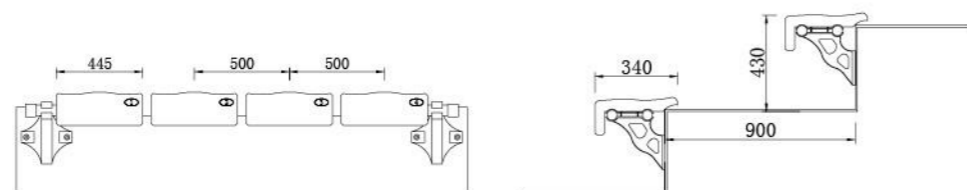


QC-19

材料说明 Material Description

座背: 全新料聚乙烯吹塑成型。
 支架: 优质冷轧钢板
 站脚: 铝合金压铸成型, 表面喷涂。
 中对中距离: 450mm.

Plastic shell: high density polyethylene blow mold shell.
 Frame: made by cold rolled steel plate.
 Leg: powder coated die-casting aluminum.
 Size: the center to center size is 450mm.

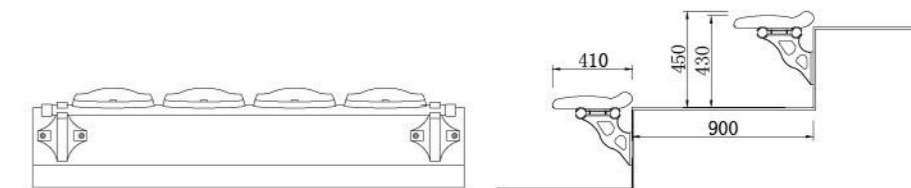


QC-20

材料说明 Material Description

座背: 全新料聚乙烯吹塑成型。
 支架: 优质冷轧钢板
 站脚: 铝合金压铸成型, 表面喷涂。
 中对中距离: 450mm.

Plastic shell: high density polyethylene blow mold shell.
 Frame: made by cold rolled steel plate.
 Leg: powder coated die-casting aluminum.
 Size: the center to center size is 450mm.



SL-01P



WHETHER THEY ARE PRACTICAL FURNITURE

Or pure ornaments, they are single-shaped integral bodies of various types and styles, pleasing to the eye and the mind due to perfect combination. Besides, they are all in a consistent household environment, corresponding to each other, fully demonstrating the variation of shaping under the same theme, making the house more elegant and fascinating.

SL-02P



SL-03P



QC-04P

POSSESS FASHIONABLE AND EXTREMELY STRONG EXPRESSIVE POWER, COMPLETELY CREATE SIMPLICITY, SPIRITED SPACE, DEMONSTRATES PEOPLE' S PURSUANCE FOR LIFE. ENRICHED, PLUMP, GRACEFUL AND SIMPLE VISUAL EFFECT, TOGETHER WITH TIME AND ENERGY SAVING, CONVENIENT AND ORDERLY PRACTICAL FUNCTIONS, PRODUCES THE LINGERING APPEAL.



POSSESS FASHIONABLE



SL-05P

I REJECT COMMONPLACE, ALSO DISLIKE VULGAR AND MAGNIFICANT DECORATION. MY PRESENCE IS INDICATED BY MY CONNOTATION. I STILL ADHERE TO MYSELF WHEN I DO NOT NEED FLAUNT, SILIENCE OR CHAOTICS . YOU CAN DISREGARD MY PRESENCE, HOWEVER, YOU WILL NEVER TURN ME DOWN ONCE YOU NOTICE ME



SL-06P



THE SHAPE OF THE PRODUCT IS SIMPLE, THE CURVE IS SMOOTH



SL-07P

FASHION PRODUCT OF

ELEGANCE IS PRODUCED BY BOLD, CREATIVE AND ENVIRONMENT FRIENDLY MATERIAL WITH SIMPLE STYLE. THE SHAPE IS SIMPLE, LEAD-EDGE AND FREE, CATERING FOR THE PERSONALIZED CONSUMPTION IDEA OF MODERN PEOPLE.



SL-08P



INSPIRATION TRANSMITS FROM THE GRANDNESS

TREASURY DEPOSITS IN THE NATURE. THE DESIGN IS LEAD-EDGE, FREE, PERSONALIZED, AND FASHION LEADING. ART AND PRACTICALITY BRING ABOUT THE BEST IN EACH OTHER. IT BRINGS COMFORT AND ENJOYMENT TO YOU, ALSO IS AN ARTISTIC EYE-CATCHING AND HEART-APPEALING TREASURY.



SL-09P



SL-10P



SIMPLICITY IS FASHION, WHICH IS A CLASSICAL TOPIC OF MODERNISM STYLE



SL-11P



SL-12W



B2002 蓝座 (Blue)
Size:85x44x46cm
40HQ:1220PCS
20GP:480PCS



B2002 绿座 (Green)
Size:85x44x46cm
40HQ:1220PCS
20GP:480PCS



B2002 黑格 (Black)
Size:85x44x46cm
40HQ:1220PCS
20GP:480PCS



B2002 黑 (Black)
Size:85x44x46cm
40HQ:1220PCS
20GP:480PCS

SL-13P





JD-01S



JD-02S



JD-01L



JD-02L



JD-03S



JD-04S



JD-05S



JD-03L



JD-04L



JD-06S



JD-07S



JD-08S



JD-05L



JD-06L



JD-07L



JD-08L



JD-09S



JD-10S



JD-09L



JD-10L



JD-11S



JD-12S



JD-11L



JD-12L



JD-13L



JD-13S



JD-14S



JD-15S



JD-16S



JD-17S



JD-24S



JD-18S



JD-19S



JD-20S



JD-25S



JD-21S



JD-22S



JD-23S



JD-26S



JD-27S



JD-28S



JD-29S



JD-30S



JD-31S



JD-32S



JD-33S

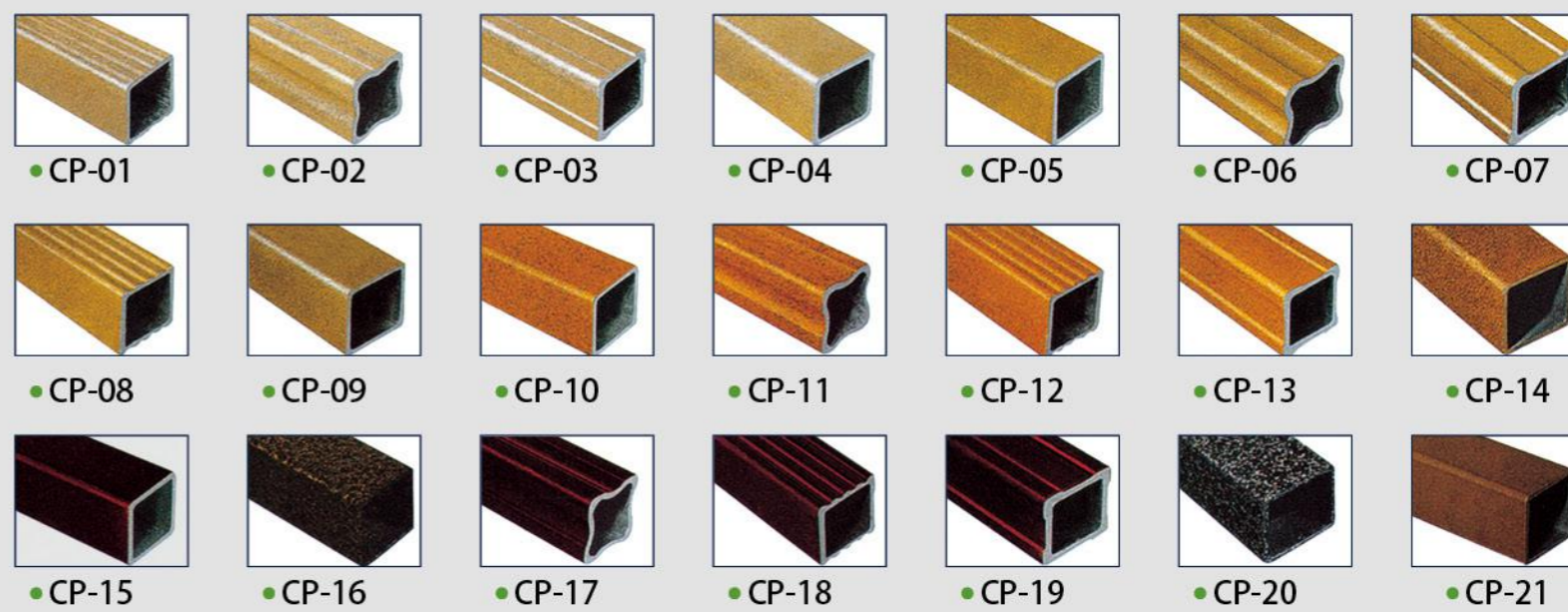


JD-34S



DOLLY • 宴会椅运输车

颜色参考图
colour picture



JC-01



JC-02



JC-03



JC-04



JC-05





JC-06



JC-07



JC-07-1



JC-07-2



JC-07F



百变台

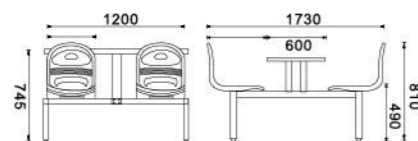


“工欲善其事，必先利其器”，伟联不仅率先在同行采购德国、意大利制造的生产线和高精金属加工、木材加工、缝纫等装备；也严格按照装备供应商的要求培训技师，使其达到高度的“人机合一”，高精装备与精湛技艺的结合，使伟联整体公共家具的品质日臻卓越。

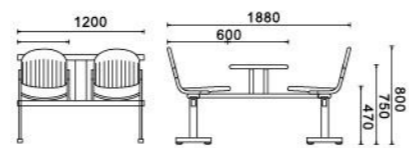
As the saying: "sharp tools make good well." Winner not only purchase super production machine from Germany and Italy, such as: metal machine, sewing machine, but also strict demand workers promote human soul and machine together. Go through super machine and perfect technical, make Winner Furniture quality be excellent in the same trade.



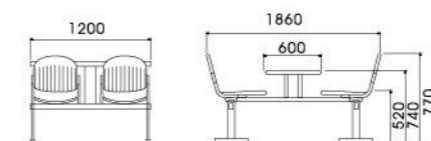
CT-010D



CT-011D



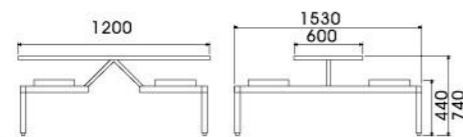
CT-022D



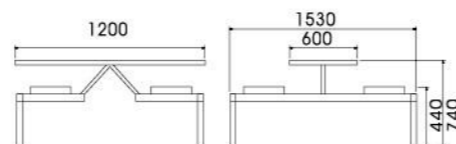
CT-023D



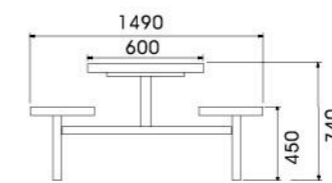
CT-015D



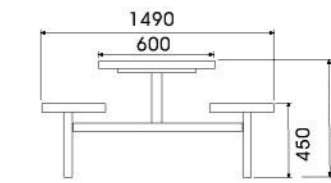
CT-016D



CT-024D



CT-025D





百变组合(一)



百变组合(二)



百变组合(三)



百变组合(四)