

Service hotline: +86-0755-86534866



QYT industry Co.,Ltd



QYT industry Co.,Ltd

TEL: +86-755-86534866

FAX: +86-755-86534899

Email: qiyun@qytpc.com

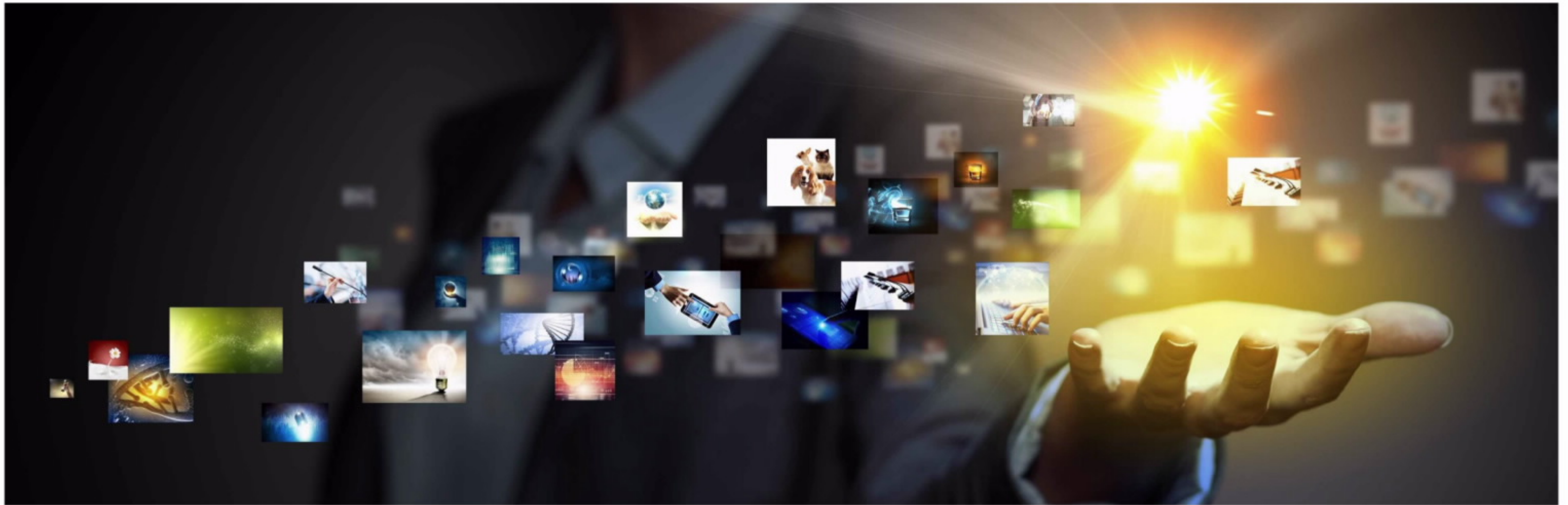
Website: www.qytpc.com, www.qyt.en.alibaba.com

Address: Room 1002, East Block, Ding Xin Building, Sha He West Road, Nanshan District, Shenzhen City, Guangdong, China

CONTENTS



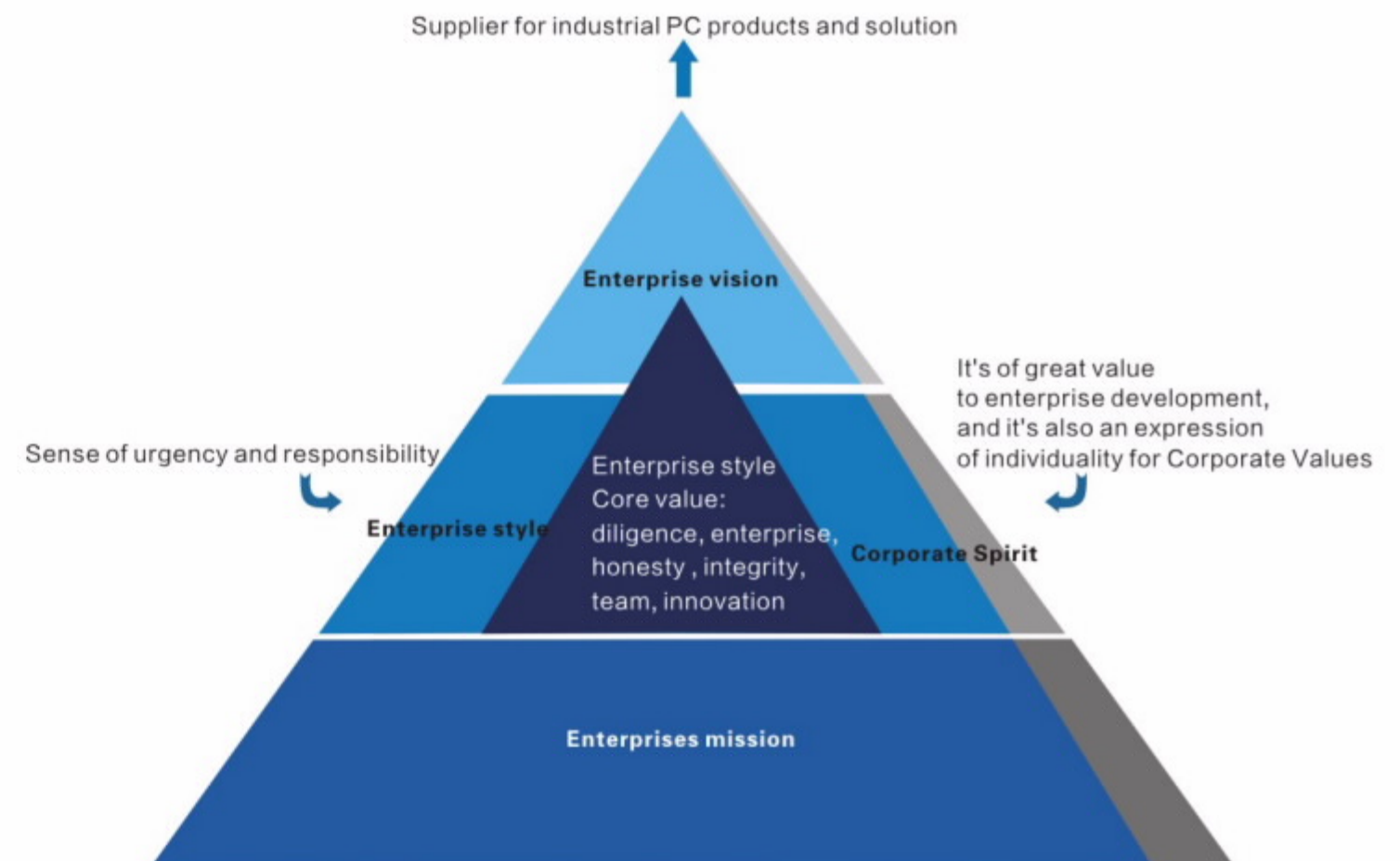
- 01 Company profile
- 02 Corporate philosophy
- 03 Design and innovation service
- 04 Waterproof computer solution
- 05 Waterproof computer
- 06 Waterproof computer
- 07 Embedded panel pc solution
- 08 Embedded panel pc
- 09 Embedded panel pc
- 10 Rack mounting panel pc
- 11 All in one pc solution
- 12 All in one pc
- 13 All in one pc
- 14 All in one pc
- 15 OPS computer solution
- 16 OPS computer
- 17 Touchscreen monitor solution
- 18 Open frame monitor
- 19 Desktop/Wall mount monitor
- 20 Embedded monitor



Enterprise introduction

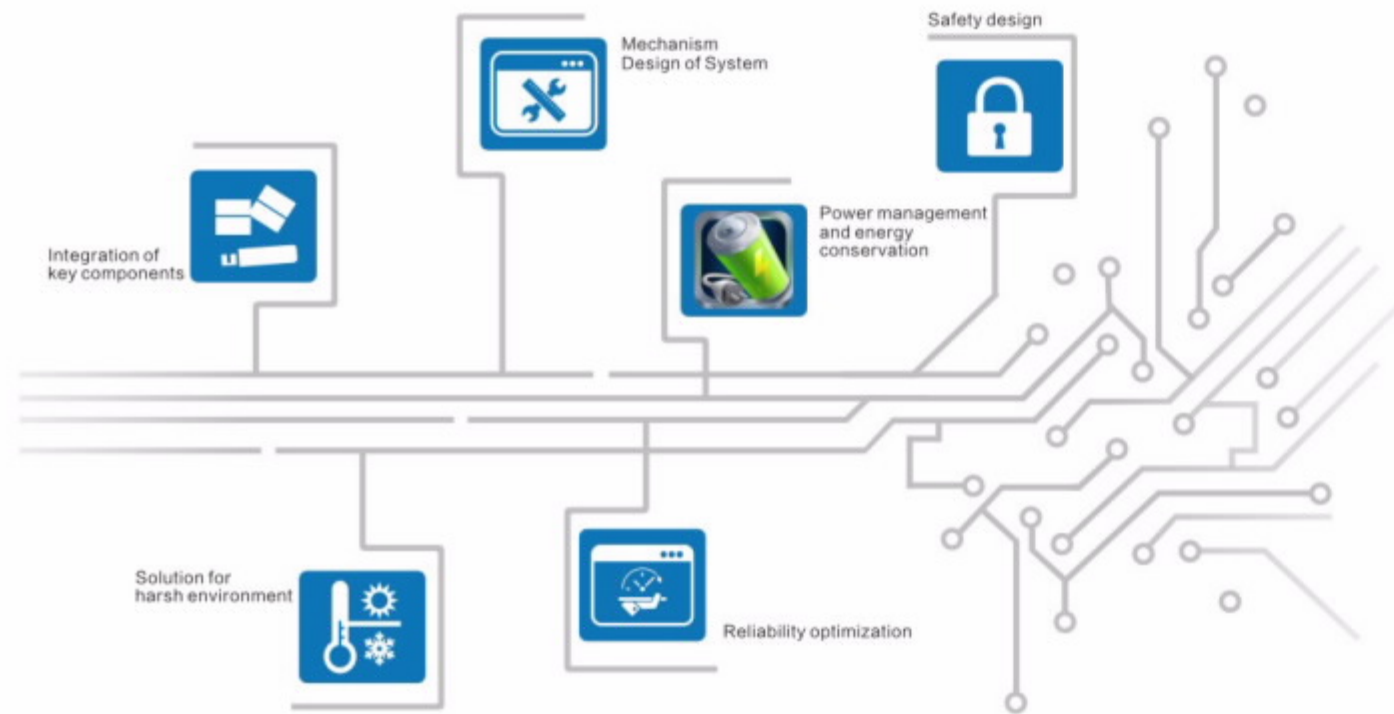
QYT is a leader in developing industrial computers and providing application solutions, integrating its R&D, production, and sales all-in-one mode.

In the field of intelligent computers, QYT has a wide range of rugged computer, all in one pc, waterproof computers, industrial panel pc, industrial monitor and embedded pc. QYT pc are widely used in industrial control, intelligent devices, business terminal, digital security, logistics barcode, vehicle, etc,. The rich products line can meet the different requirements from different industries and applications. QYT computers have passed CE and RoHS certificates. Our pc sells well in US, Canada, Poland, UK, Germany, Australia, Russia, Bulgaria and other markets.



Design and innovation service

Save your time and cost during designing



Power management and energy conservation

Solution of power off and reboot
Setting of BIOS
energy conservation by adjusting of screen brightness

Mechanism Design of System

shockproof
impact resistance design
heat radiation
electromagnetic compatibility

Integration of key components

Touch control
integration technology
safe industrial storage
industrial grade wireless communication

Reliability optimization

quick booting of the system
monitoring of the system status
intelligent control of the fan

Reliability optimization

Safety design
security encryption
remote maintenance

Waterproof Computer



Application:



Main Features:

IP66/IP67 waterproof and dustproof
Aluminum/Stainless steel metal cases, beautiful, strong and durable
Shockproof, impact resistance, anti-interference
7*24h continuous working
Good heat radiation with sealed design
Waterproof I/O interface
Multi ports for option
Wall mounted or desktop
Suitable for harsh and bad industrial environment

Application:

Cruise, kitchen, ordering for meal
Automation control
Transportation
Aquaculture
Outdoor self-service terminals
Medical and military industry
Any other device that needs waterproof function

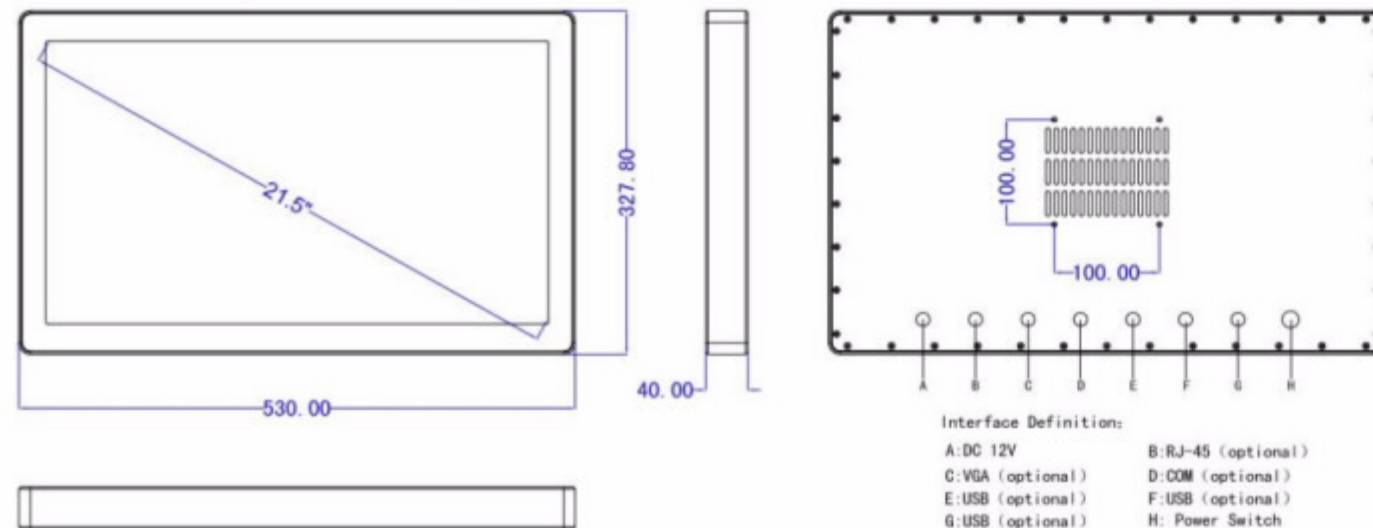
Waterproof Computer



1. Aluminium Casing, IP66/IP67 waterproof rating
2. 21.5" TFT LED, resolution 1920*1080, capacitive touch
3. Intel Bay trail j1900 CPU:2.0GHz, fanless waterproof pc
4. Multi ports for option, VGA/LAN/USB/COM
5. DC12V Input, (+9V ~ 36V) wide voltage input optional

Specification:					
CPU	J1900	N2807	3855U	6100U	
CPU Type	Quad core, Fanless		Dual core, Fanless		
Memory	2GB~8GB				
Harddisk	32GB~256GB SSD / 500GB HDD~1TB HDD				
Graphics	HD Graphics	Integrated GMA3600	Intel HD Graphics 510	Intel HD Graphics 520	
Touch	Capacitive (Resistive/IR optional)				
Lan	Realtek 8111F Lan				
Audio	RTL ALC662				
USB	Optional				
RS232	Optional				

Related Products:						
Size	12"	15"	17"	19"	21.5"	
Resolution	800x600	1024*768	1280x1024	1280x1024	1920*1080	
Ratio	4:3	4:3	4:3	4:3	16:9	
Brightness	400cd/m2	300cd/m2	300cd/m2	300cd/m2	250cd/m2	
Viewing Angle	80/80/60/80	85/85/85/85	85/85/80/80	85/85/80/80	85/85/80/80	
Contrast	800:1	1000:1	1000:1	1000:1	1000:1	



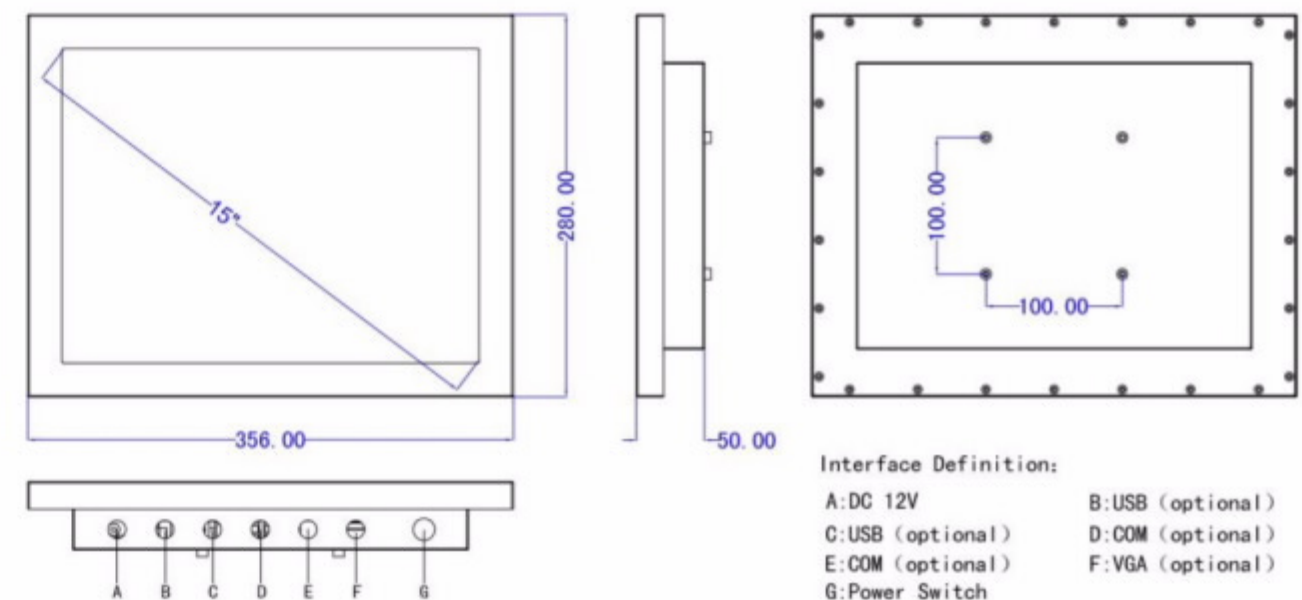
Waterproof Computer



1. Stainless Steel S316 Casing, IP66/IP67 waterproof rating
2. 15" TFT LED, resolution 1024*768, 5-wire resistive touch
3. Intel Bay trail j1900 CPU:2.0GHz, fanless waterproof pc
4. Multi ports for option, VGA/HDMI/LAN/USB/COM
5. DC12V Input, (+9V ~ 36V) wide voltage input optional

Specification:					
CPU	J1900	N2807	3855U	6100U	
CPU Type	Quad core, Fanless		Dual core, Fanless		
Memory	2GB~8GB				
Harddisk	32GB~256GB SSD / 500GB HDD~1TB HDD				
Graphics	HD Graphics	Integrated GMA3600	Intel HD Graphics 510	Intel HD Graphics 520	
Touch	Capacitive (Resistive/IR optional)				
Lan	Realtek 8111F Lan				
Audio	RTL ALC662				
USB	Optional				
RS232	Optional				

Related Products:					
Size	12"	15"	17"	19"	21.5"
Resolution	800x600	1024*768	1280x1024	1280x1024	1920*1080
Ratio	4:3	4:3	4:3	4:3	16:9
Brightness	400cd/m2	300cd/m2	300cd/m2	300cd/m2	250cd/m2
Viewing Angle	80/80/60/80	85/85/85/85	85/85/80/80	85/85/80/80	85/85/80/80
Contrast	800:1	1000:1	1000:1	1000:1	1000:1



Embedded Panel PC



Application:



Main Features:

- Aluminum/Iron metal cases, CNC technology
- Beautiful, strong and durable
- Shockproof, impact resistance, anti-interference
- Good ventilation and heat radiation design
- 7*24h continuous working
- Flexible and various configuration for option: CPU/RAM/ SSD/HDD
- various touch screen for option: Resistive/Capacitive/IR/Sound wave
- Multi ports for option: HDMI//USB//COM//RJ45//WIFI//LPT//PCI
- Function modules are optional: 4G, barcode,RFID,Fingerprint
- DC12V Input, (+9V ~ 36V) wide voltage input optional
- Wall mounted or desktop
- Suitable for harsh and bad industrial environment

Application:

- Industrial control
- Human-machine interface
- Automation
- On-board PC
- Multimedia
- Medical and military industry

Embedded Panel PC



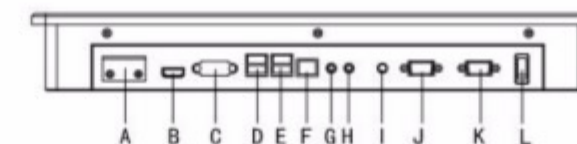
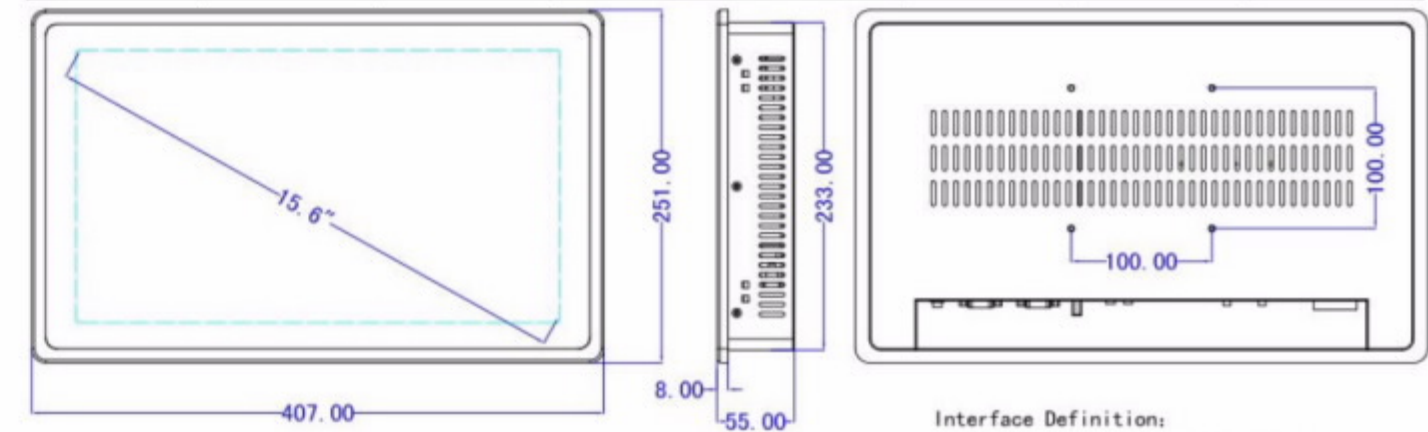
1. Aluminium alloy front panel, front IP65 waterproof
2. 15.6" TFT LED, resolution 1366*768, capacitive touch
3. Intel Bay trail j1900 CPU: 2.0GHz, industrial panel pc
4. Multi ports for option: VGA/HDMI/LAN/USB/COM
5. DC12V Input, (+9V~36V) wide voltage input optional

Specification:

CPU	J1900	N3150	3217U	3337U	3855U	6100U	6200U
CPU Type	Quad core, Fanless		Dual core, Fan				
Memory	2GB~8GB						
Harddisk	32GB~256GB SSD/500GB HDD~1TB HDD						
Graphics	HD Graphics		HD Graphics 4000		HD Graphics 510		HD Graphics 520
Touch	Capacitive (Resistive/IR optional)						
Lan	Realtek 8111F Lan						
Audio	RTL ALC662						
USB	3*2.0, 1*3.0		2*2.0, 2*3.0		2*2.0, 2*3.0		2*2.0, 2*3.0
RS232	2 (Max 6)						

Related Products:

Size	10.4"	12"	15"	15.6"	17"	18.5"	21.5"
Resolution	800x600	800x600	1024*768	1366*768	1280*1024	1366*768	1920*1080
Ratio	4:3	4:3	4:3	16:9	4:3	16:9	16:9
Brightness	400cd/m2	400cd/m2	300cd/m2	300cd/m2	300cd/m2	250cd/m2	250cd/m2
Viewing Angle	70/70/60/70	80/80/60/80	85/85/85/85	85/85/80/80	85/85/80/80	85/85/80/80	85/85/80/80
Contrast	500: 1	800:1	1000:1	500:1	1000:1	700:1	1000:1



- Interface Definition:
- A:DC 12V
 - C:VGA
 - E:2*USB
 - G:Audio-out
 - I:WiFi
 - K:COM
 - B:H-D-M-I
 - D:2*USB
 - F:RJ-45
 - H:mic-in
 - J:COM
 - L:Power Switch

Embedded Panel PC



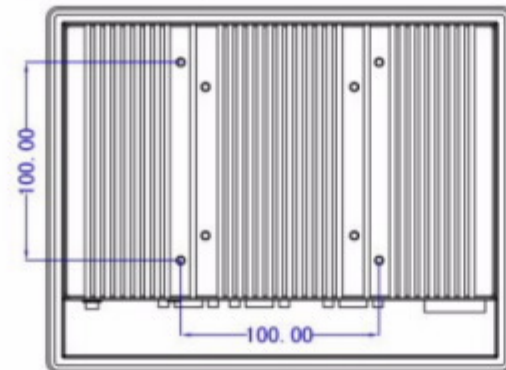
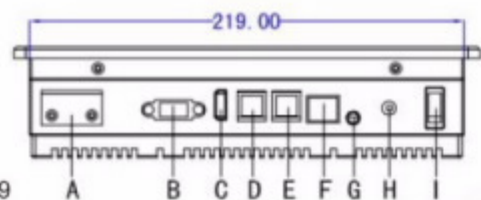
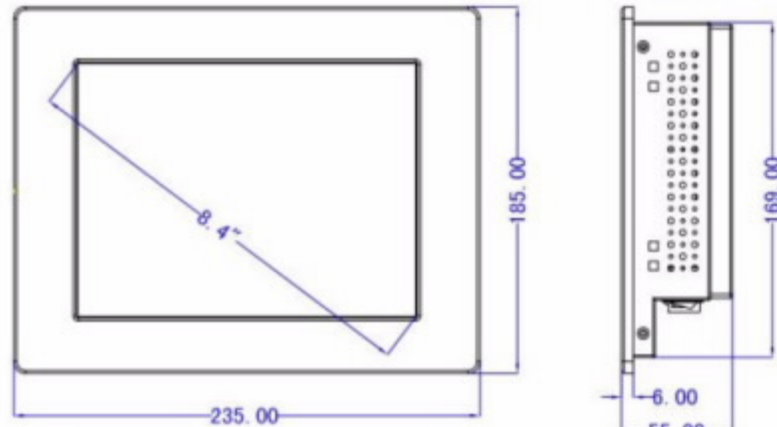
1. Aluminium alloy front panel, front IP65 waterproof
2. 8.4" TFT LED, resolution 800*600, 4-wire resistive touch
3. Intel Bay trail j1900 CPU:2.0GHz, fanless panel pc
4. Multi ports for option, VGA/HDMI/LAN/USB/COM
5. DC12V Input, (+9V~36V) wide voltage input optional

Specification:

CPU	J1900	N2807	3855U	6100U	6200U
CPU Type	Quad core, Fanless	Dual core, Fanless	Dual core, Fan		
Memory	2GB~8GB				
Harddisk	32GB~256GB SSD/500GB HDD~1TB HDD				
Graphics	HD Graphics	Integrated GMA3600	HD Graphics 510	HD Graphics 520	
Touch	Resistive				
Lan	Realtek 8111F Lan				
Audio	RTL ALC662				
USB	3*2.0, 1*3.0	3*2.0, 1*3.0	3*2.0, 1*3.0	3*2.0, 1*3.0	
RS232	2 (Max 6)				

Related Products:

Size	10.4"	12"	15"	15.6"	17"	18.5"	21.5"
Resolution	800x600	800x600	1024*768	1366*768	1280*1024	1366*768	1920*1080
Ratio	4:3	4:3	4:3	16:9	4:3	16:9	16:9
Brightness	400cd/m2	400cd/m2	300cd/m2	300cd/m2	300cd/m2	250cd/m2	250cd/m2
Viewing Angle	70/70/60/70	80/80/60/80	85/85/85/85	85/85/80/80	85/85/80/80	85/85/80/80	85/85/80/80
Contrast	500: 1	800:1	1000:1	500:1	1000:1	700:1	1000:1



Interface Definition:

- A: DC 12V
- B: VGA
- C: H-D-M-I
- D: 2*USB
- E: RJ-45
- F: RJ-45
- G: Audio-out
- H: WIFI
- I: Power Switch

Embedded Panel PC



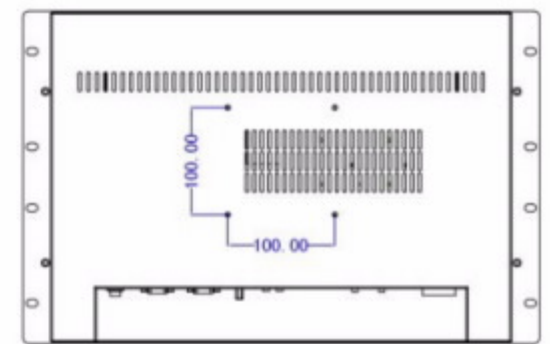
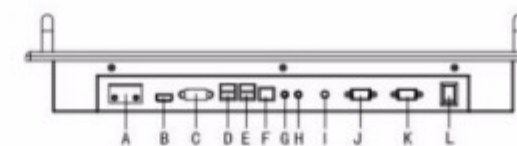
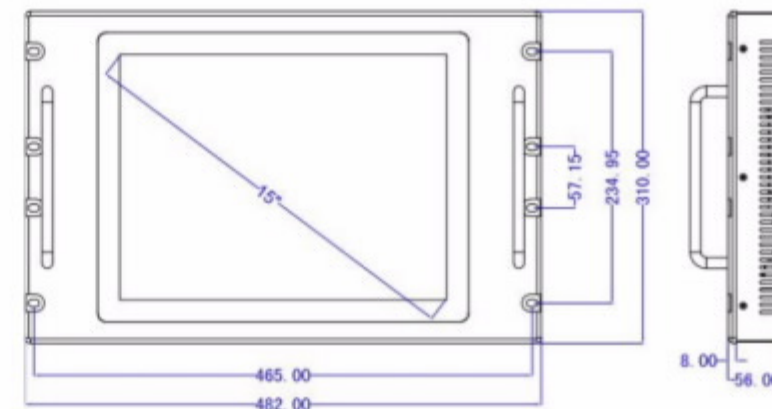
1. Standard 7U 15" rack mounting panel pc
2. Aluminium alloy front panel, front IP65 waterproof
3. 15" TFT LED, resolution 1024*768, 10 points capacitive
4. Intel Bay trail j1900 CPU: 2.0GHz, quad core CPU
5. Multi ports for option: VGA/HDMI/LAN/USB/COM

Specification:

CPU	J1900	N3150	3217U	3337U	3855U	6100U	6200U
CPU Type	Quad core, Fanless	Dual core, Fan					
Memory	2GB~8GB						
Harddisk	32GB~256GB SSD/500GB HDD~1TB HDD						
Graphics	HD Graphics	HD Graphics 4000		HD Graphics 510		HD Graphics 520	
Touch	Capacitive (Resistive/IR optional)						
Lan	Realtek 8111F Lan						
Audio	RTL ALC662						
USB	3*2.0, 1*3.0	2*2.0, 2*3.0	2*2.0, 2*3.0	2*2.0, 2*3.0		2*2.0, 2*3.0	
RS232	2 (Max 6)						

Related Products:

Size	7"	8.4"	10.4"	11.6"	12"	15"	15.6"
Resolution	800*480	800*600	800*600	1366*768	800x600	1024*768	1366*768
Ratio	4:3	4:3	4:3	16:9	4:3	4:3	16:9
Brightness	450cd/m2	450cd/m2	400cd/m2	350cd/m2	400cd/m2	300cd/m2	300cd/m2
Viewing Angle	80/80/80/80	80/80/80/60	70/70/60/70	60/60/55/60	80/80/60/80	85/85/85/85	85/85/80/80
Contrast	750 : 1	600: 1	500: 1	500: 1	800:1	1000:1	500:1



Interface Definition:

- A: DC 12V
- B: H-D-M-I
- C: VGA
- D: 2*USB
- E: 2*USB
- F: RJ-45
- G: Audio-out
- H: Mic-in
- I: WiFi
- J: COM
- K: COM
- L: Power Switch

Touchscreen All in One PC



Application:



Main Features:

- Aluminum/Iron metal cases, beautiful, strong and durable
- Shockproof, impact resistance, anti-interference
- Good ventilation and heat radiation design
- 7*24h continuous working
- Flexible and various configuration for option: CPU/RAM/ SSD/HDD
- Various touch screen for option: Resistive/Capacitive/IR/Sound wave
- Multi ports for option: HDMI//USB/COM/RJ45/WIFI/LPT/PCI
- Function modules are optional: 4G, barcode, RFID, Fingerprint
- DC12V Input, (+9V~36V) wide voltage input optional
- Wall mounted or desktop
- Suitable for harsh and bad industrial environment

Application:

- Digital Signage
- Multimedia information inquiry system/Service Terminals
- POS, ordering for meal, retail store
- Logistic barcode
- Automation control
- Medical and military industry

Touchscreen All in One PC



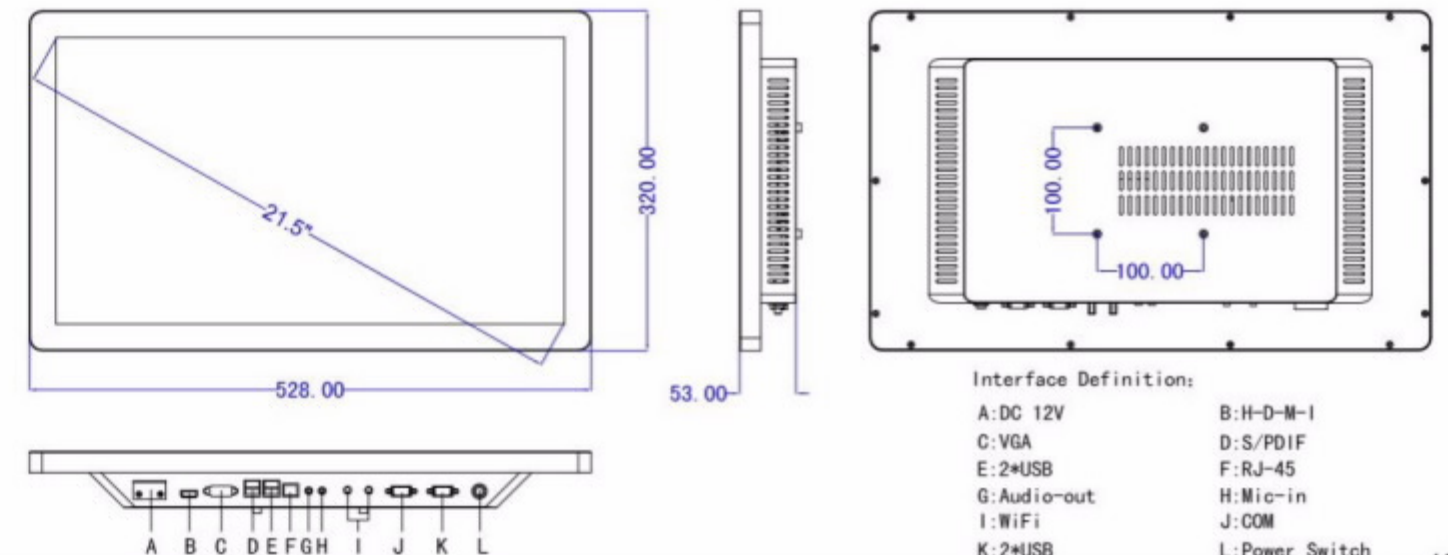
- Galvanized sheet, white painting treated at high temperature
- 21.5" TFT LED, resolution 1920*1080, 4-wire resistive touch
- Intel Bay trail j1900 CPU:2.0GHz fanless touch all in one pc
- Multi ports for option: VGA/HDMI/LAN/USB/COM
- Support VESA 100x100 and open mounting

Specification:

CPU	J1900	N3150	3217U	3337U	3855U	6100U	6200U
CPU Type	Quad core, Fanless		Dual core, Fan				
Memory	2GB~8GB						
Harddisk	32GB~256GB SSD/500GB HDD~1TB HDD						
Graphics	HD Graphics		HD Graphics 4000		HD Graphics 510	HD Graphics 520	
Touch	Resistive (Capacitive/IR optional)						
Lan	Realtek 8111F Lan						
Audio	RTL ALC662						
USB	3*2.0, 1*3.0		2*2.0, 2*3.0		2*2.0, 2*3.0	2*2.0, 2*3.0	
RS232	2 (Max 6)						

Related Products:

Size	10.4"	12"	15"	15.6"	17"	18.5"	21.5"
Resolution	800x600	800x600	1024*768	1366*768	1280*1024	1366*768	1920*1080
Ratio	4:3	4:3	4:3	16:9	4:3	16:9	16:9
Brightness	400cd/m2	400cd/m2	300cd/m2	300cd/m2	300cd/m2	250cd/m2	250cd/m2
Viewing Angle	70/70/60/70	80/80/60/80	85/85/85/85	85/85/80/80	85/85/80/80	85/85/80/80	85/85/80/80
Contrast	500: 1	800:1	1000:1	500:1	1000:1	700:1	1000:1

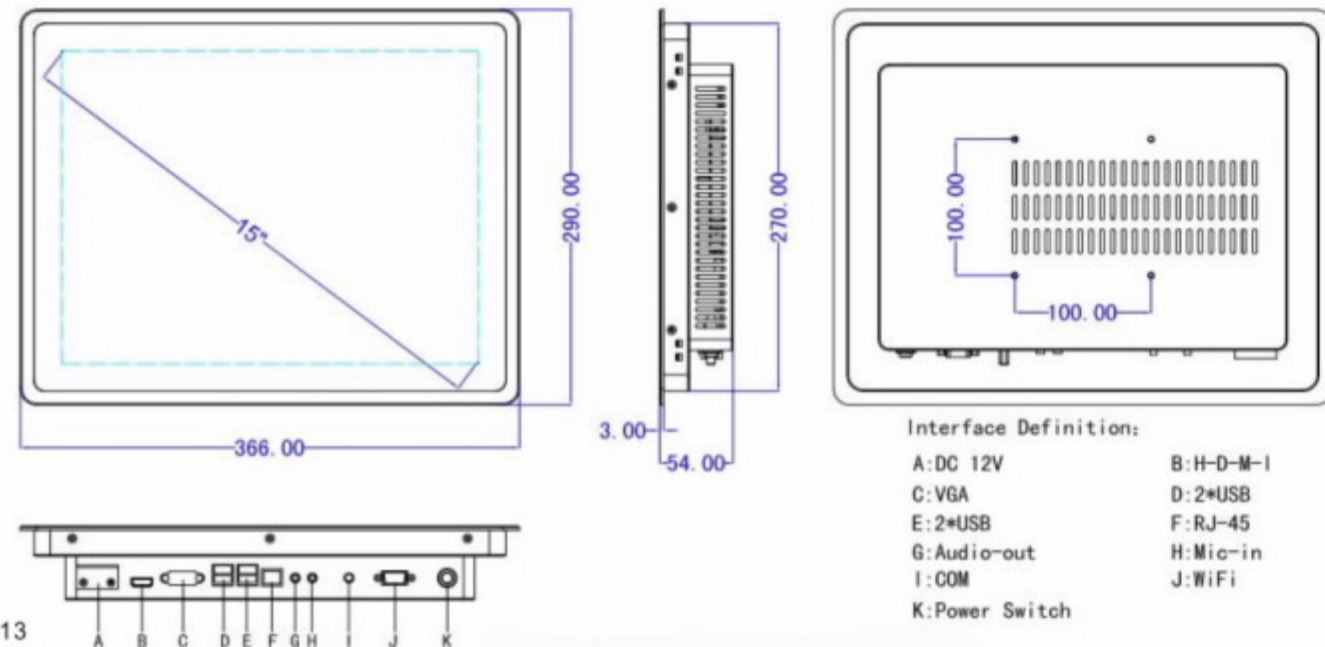


Touchscreen All in One PC



1. 3.0MM thin front panel, Aluminium alloy, front IP65 waterproof
2. 15" TFT LED, resolution 1024*768, 10 points capacitive touch
3. Intel Bay trail j1900 CPU: 2.0GHz, fanless panel pc
4. Multi ports for option: VGA/HDMI/LAN/USB/COM
5. DC12V Input, (+9V~36V) wide voltage input optional

Specification:							
CPU	J1900	N3150	3217U	3337U	3855U	6100U	6200U
CPU Type	Quad core, Fanless		Dual core, Fan				
Memory	2GB~8GB						
Harddisk	32GB~256GB SSD/500GB HDD~1TB HDD						
Graphics	HD Graphics		HD Graphics 4000	HD Graphics 510	HD Graphics 520		
Touch	Resistive (Capacitive/IR optional)						
Lan	Realtek 8111F Lan						
Audio	RTL ALC662						
USB	3*2.0, 1*3.0	2*2.0, 2*3.0	2*2.0, 2*3.0	2*2.0, 2*3.0	2*2.0, 2*3.0	2*2.0, 2*3.0	
RS232	2 (Max 6)						
Related Products:							
Size	10.4"	12"	15"	15.6"	17"	18.5"	21.5"
Resolution	800x600	800x600	1024*768	1366*768	1280*1024	1366*768	1920*1080
Ratio	4:3	4:3	4:3	16:9	4:3	16:9	16:9
Brightness	400cd/m2	400cd/m2	300cd/m2	300cd/m2	300cd/m2	250cd/m2	250cd/m2
Viewing Angle	70/70/60/70	80/80/60/80	85/85/85/85	85/85/80/80	85/85/80/80	85/85/80/80	85/85/80/80
Contrast	500: 1	800:1	1000:1	500:1	1000:1	700:1	1000:1

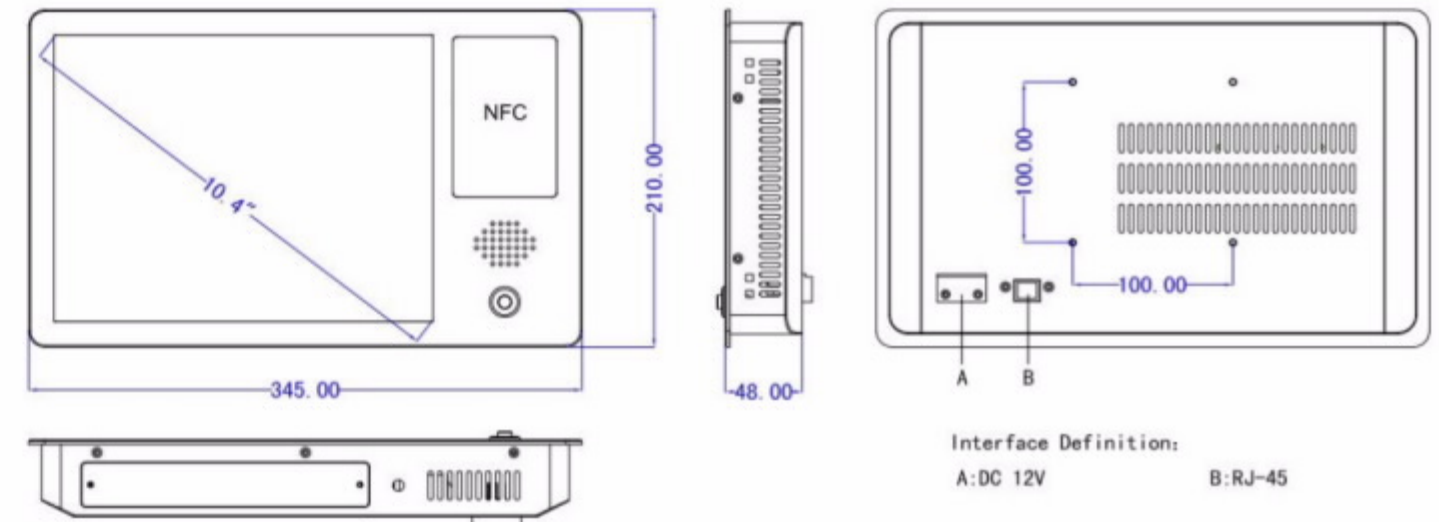


Touchscreen All in One PC



1. 2.0MM thin front panel, galvanized sheet, embedded mounting
2. 10.4" TFT LED, resolution 800*600, capacitive touch
3. Intel Bay trail j1900 CPU: 2.0GHz fanless touch all in one pc
4. Multi ports for option: VGA/HDMI/LAN/USB/COM
5. DC12V Input, (+9V~36V) wide voltage input optional

Specification:							
CPU	J1900	N3150	3217U	3337U	3855U	6100U	6200U
CPU Type	Quad core, Fanless		Dual core, Fan				
Memory	2GB~8GB						
Harddisk	32GB~256GB SSD/500GB HDD~1TB HDD						
Graphics	HD Graphics		HD Graphics 4000	HD Graphics 510	HD Graphics 520		
Touch	Capacitive (Resistive/IR optional)						
Lan	Realtek 8111F Lan						
Audio	RTL ALC662						
USB	3*2.0, 1*3.0	2*2.0, 2*3.0	2*2.0, 2*3.0	2*2.0, 2*3.0	2*2.0, 2*3.0	2*2.0, 2*3.0	
RS232	2 (Max 6)						
Related Products:							
Size	10.4"	12"	15"	15.6"	17"	18.5"	21.5"
Resolution	800x600	800x600	1024*768	1366*768	1280*1024	1366*768	1920*1080
Ratio	4:3	4:3	4:3	16:9	4:3	16:9	16:9
Brightness	400cd/m2	400cd/m2	300cd/m2	300cd/m2	300cd/m2	250cd/m2	250cd/m2
Viewing Angle	70/70/60/70	80/80/60/80	85/85/85/85	85/85/80/80	85/85/80/80	85/85/80/80	85/85/80/80
Contrast	500: 1	800:1	1000:1	500:1	1000:1	700:1	1000:1



OPS computer



Application :



Main features:

- Digital signals that is easy to install, use and maintain
- Open Pluggable Specification
- Aluminum/Iron metal cases, strong and durable
- 7*24h continuous working
- Shockproof, impact resistance, anti-interference
- Flexible and various configuration for option: CPU/RAM/SSD/HDD
- Various ports for option
- DC12V Input
- Suitable for harsh and bad industrial environment

Application:

- Electronic whiteboard
- Digital signage
- Advertising media

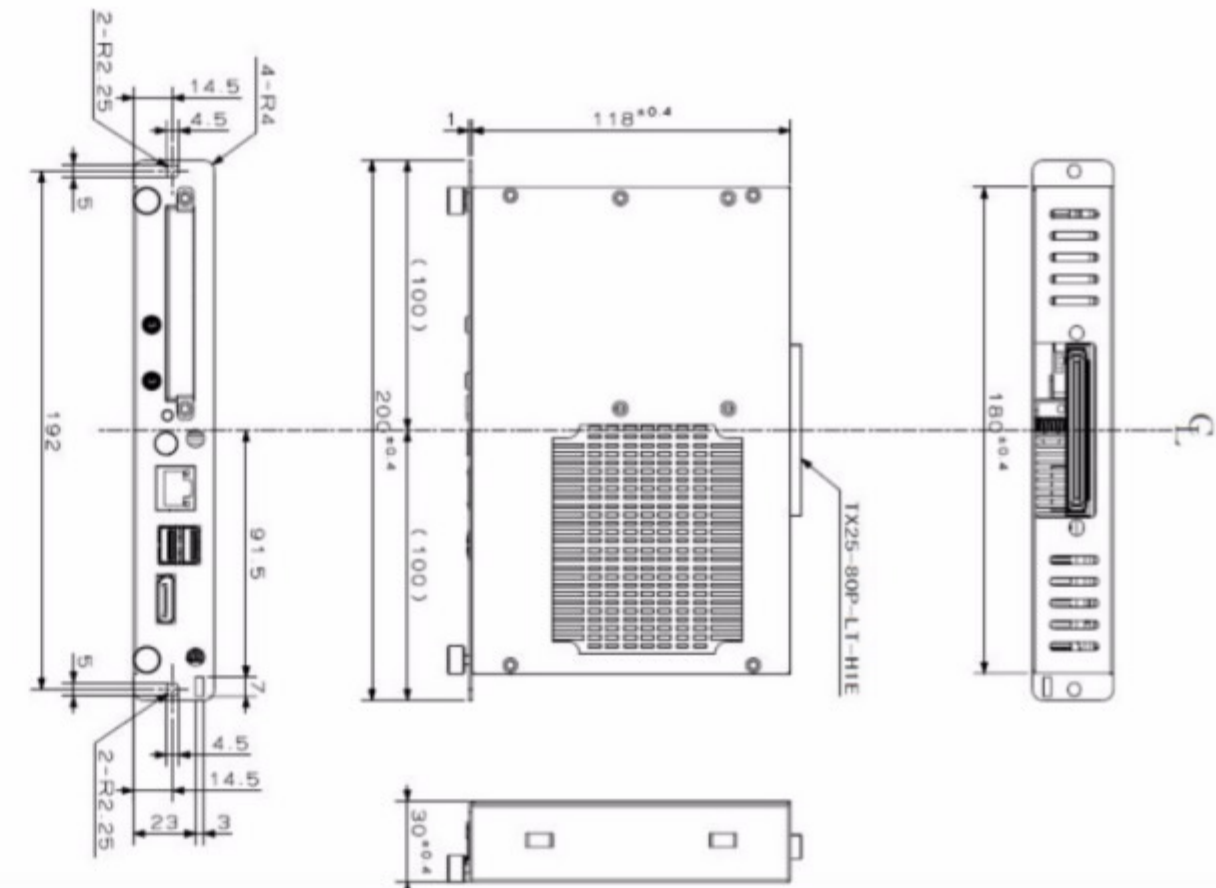
OPS Mainframe



1. Standard size design by Intel, universal OPS computer
2. Easy to install, maintain and upgrade; integrate with high performance and lower power consumption
3. Intel core i3 3217U CPU: 1.8GHz, with just 17W power consumption
4. Built-in SATA interface and SIM card slot, drawer type HDD installation
5. Suitable for whiteboard, digital billboards, video conferencing, etc.,

Specification:

CPU	1037U	3217U	3337U
CPU Type	Dual core, Fan		
Memory	2GB~8GB		
Harddisk	32GB~256GB SSD/500GB HDD~1TB HDD		
Graphics	HD Graphics 4000		
Lan	Realtek 8111F Lan		
Audio	RTL ALC662		
USB	2*USB 3.0		
Wifi	2*Wifi		



Touchscreen Monitor



Application :



Main Features:

- Aluminum/Iron metal cases
- Strong and durable
- Good ventilation and heat radiation design
- 7*24h continuous working
- Wide viewing angle, high nit, true color
- Styles for option :Desktop, Embedded, Open frame
- Touch screen: Resistive/Capacitive
- Ports for option: HDMI/DVI/VGA/USB
- DC12V Input
- Suitable for harsh and bad industrial environment

Application:

- Control monitors for industrial scene
- Display device embedded in various equipment
- Monitors for mainframe computers of the telecom and network room
- Monitors for train, subway station and port
- On-board monitor(train, metro and car)
- Display for commercial advertising(elevator, public areas and exhibition)

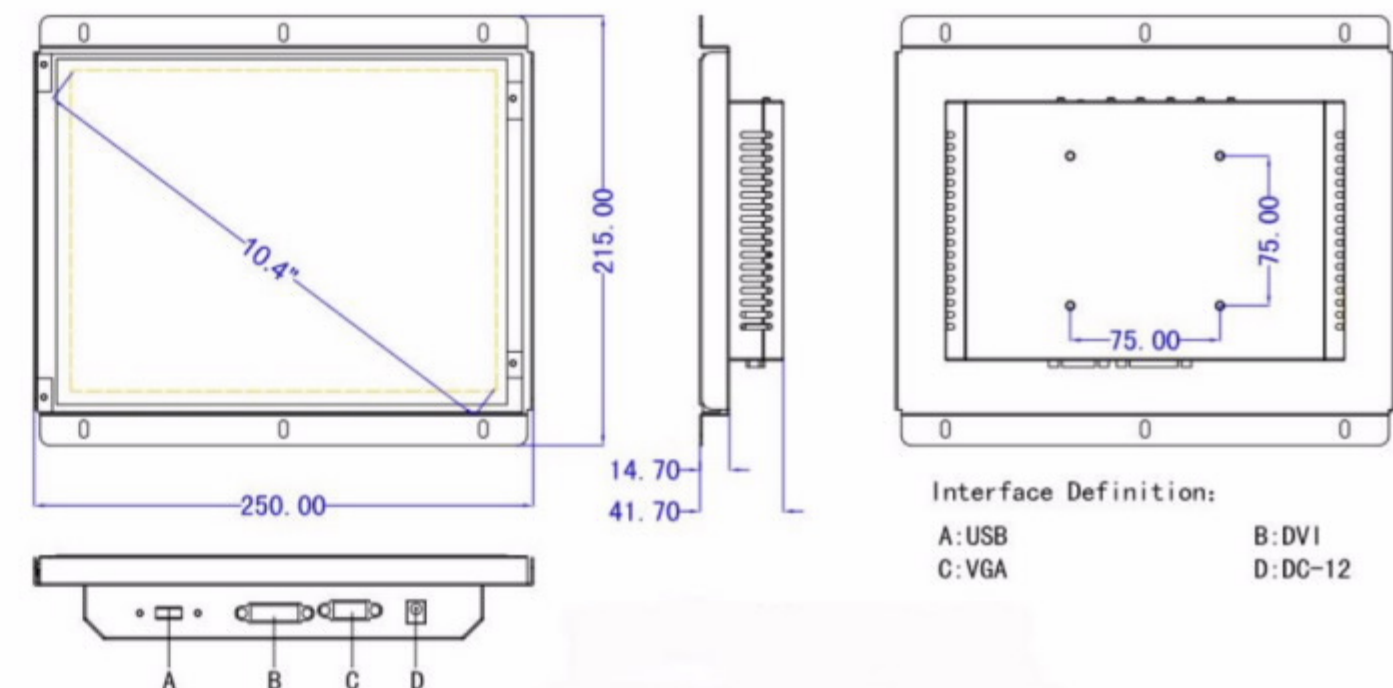
Open Frame Monitor



1. Galvanized sheet casing, black painting treated at high temperature
2. 10" TFT LED, resolution 800*600, 4-wire resistive touch
3. Anti-interference, radiation-proof, corrosion preventive, temperature resistant, suitable for harsh working environment
4. Multi ports for option: VGA/HDMI/DVI/VOICE/USB
5. Support VESA 100x100 and open mounting

Specification:

Size	10.4"	12"	15"	17"	19"
Resolution	800x600	1280*800	1024*768	1280*1024	1280*1024
Ratio	4:3	16:9	4:3	4:3	4:3
Brightness	400cd/m2	400cd/m2	300cd/m2	300cd/m2	300cd/m2
Viewing Angle	80/80/60/80	80/80/65/80	85/85/85/85	85/85/80/80	85/85/80/80
Contrast	800: 1	800: 1	1000:1	1000:1	1000:1
Ports	VGA+DVI+USB				

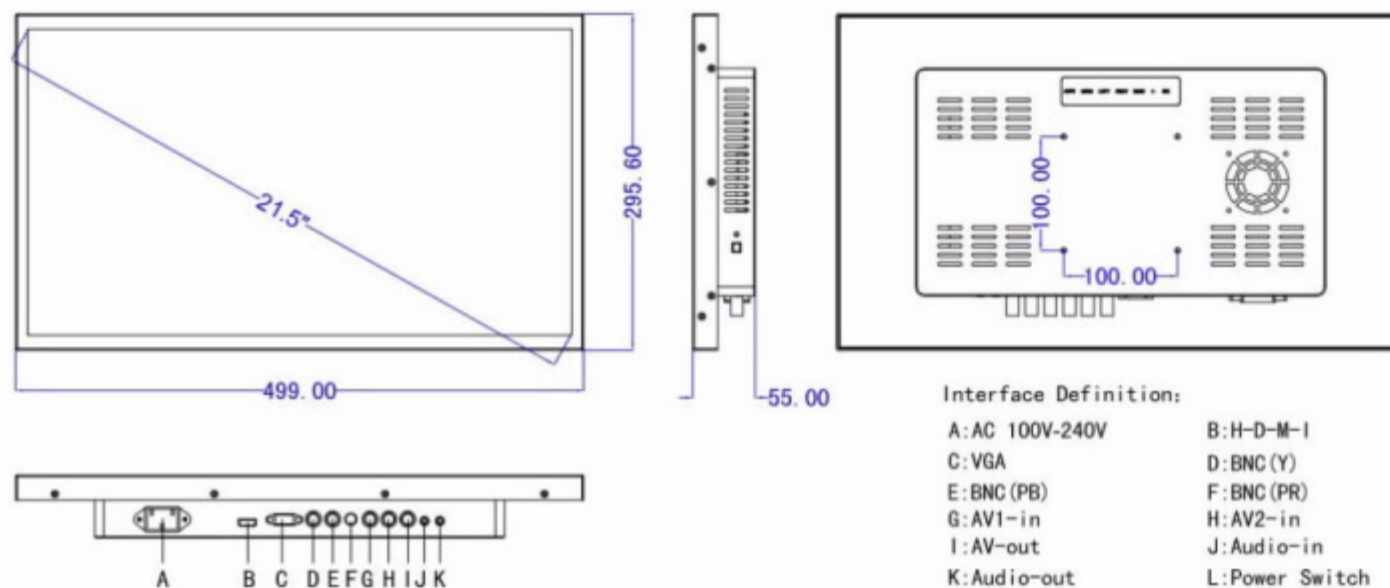


Desktop/Wall Mount Monitor



1. Galvanized sheet, black painting treated at high temperature
2. 21.5" TFT LED, resolution 1920*1080, industrial surveillance monitor
3. Anti-interference, radiation-proof, corrosion preventive, temperature resistant, suitable for harsh working environment
4. Ports: BNC(Y/FB/PR)/AV1/AV2/Audio/HDMI/VGA
5. Support VESA 100x100 and open mounting

Specification:						
Size	10.4"	12"	15"	17"	19"	21.5"
Resolution	1024x600	1280*800	1024*768	1280*1024	1280*1024	1920*1080
Ratio	16:9	16:9	4:3	4:3	4:3	16:9
Brightness	500cd/m2	400cd/m2	300cd/m2	300cd/m2	300cd/m2	250cd/m2
Viewing Angle	89/89/89/89	80/80/65/80	85/85/85/85	85/85/80/80	85/85/80/80	85/85/80/80
Contrast	500: 1	800: 1	1000:1	1000:1	1000:1	1000:1
Ports	VGA+DVI+USB		VGA+DVI+HDMI+USB		BNC Y/Pb/Pr/AV1/AV2	



Touchscreen Embedded Monitor



1. Aluminium alloy front panel, front IP65 waterproof
2. 17" TFT LED, resolution 1280*1024, 4-wire resistive touch
3. Anti-interference, radiation-proof, corrosion preventive, temperature resistant, suitable for harsh working environment
4. Multi ports for option: VGA/HDMI/DVI/VOICE/USB
5. DC12V Input, (+9V~36V) wide voltage input optional

Specification:						
Size	10.4"	12"	15"	17"	18.5"	19"
Resolution	800x600	1280x800	1024*768	1280*1024	1366*768	1280*1024
Ratio	4:3	16:9	4:3	4:3	16:9	4:3
Brightness	400cd/m2	400cd/m2	300cd/m2	300cd/m2	250cd/m2	300cd/m2
Viewing Angle	70/70/60/70	80/80/65/80	85/85/85/85	85/85/80/80	85/85/80/80	85/85/80/80
Contrast	500: 1	800: 1	1000:1	1000:1	700:1	1000:1
Ports	VGA+DVI+USB		VGA+DVI+HDMI+USB			

